

# SLIDE SWITCH

Operation: DIP3+2PIN/卧式二档&中型拨动开关 [柄长可定制]



LTEM NO.: SK-12D02-VG □ (Series)

(L8.6×W4.4×H4.70 SLIDE-SWITCH)

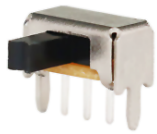
表面插装 DIP

側向操作

精密部品 NICETY

可靠 STABILIZE

適合環保 RoHS

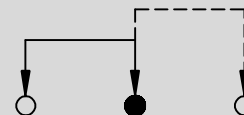


## Technical parameter

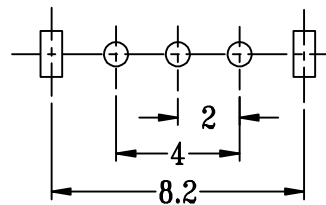
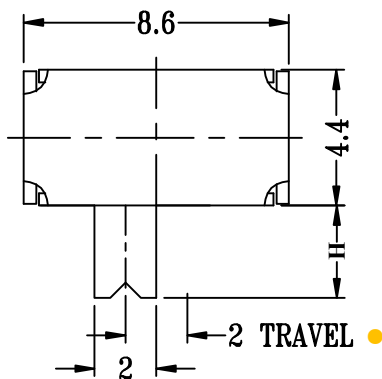
PROJECT	LEVEL	A[better product]	B[average product]
Electrical Properties	Contact Rating	0.3A, 24V DC	
	Initial Contact Resistance	50mΩ max.	
Durable Performance	Insulation Resistance	100MΩ min.500V DC	Skey/PD: 100MΩ min.300V DC
	Withstand Voltage	300V AC for 1 minute	250 V AC for 1 minut
	There No Load	15,000 Cycles	10,000 Cycles
	Rated Load	12,000 Cycles	8,500 Cycles
Storage temp.		-25℃~+75℃(Operating Temp: )	
Operating Force		2. 6N. (1N.=100gram-force)	
Heat Rrsistance		IR Reflow:255℃, 5sec. Manual:350℃, 3sec.	

Material declaration		
No.	NAME	Description
① A	盖板	钢带(镀镍) t=0.40
② B	拨柄	POM (Black)热塑性塑料
③ C	基座	酚醛脂板 PHENOLIC RESIN
④ D	端子	镀银&H62 黄铜带 BRASS STRIP
⑤ E	嵌件	镀银&H62 黄铜带 BRASS STRIP
⑥ F	弹片	不锈钢线 STEEL WIRE

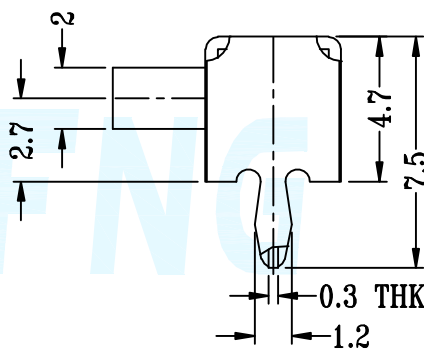
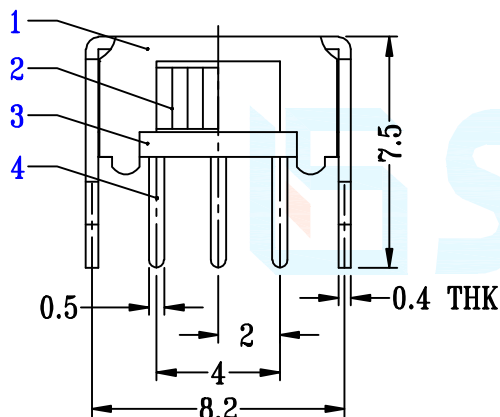
## CIRCUIT DIAGRAM



Unit:mm



P.C.B LAYOUT



DIM H

可定制柄長

