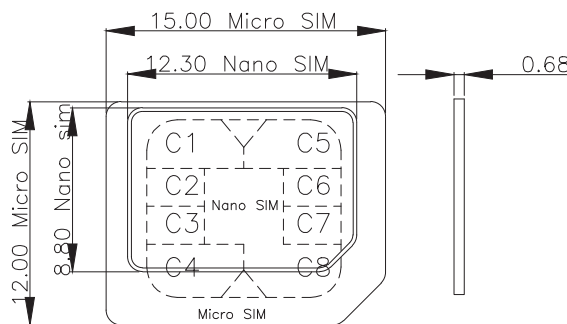
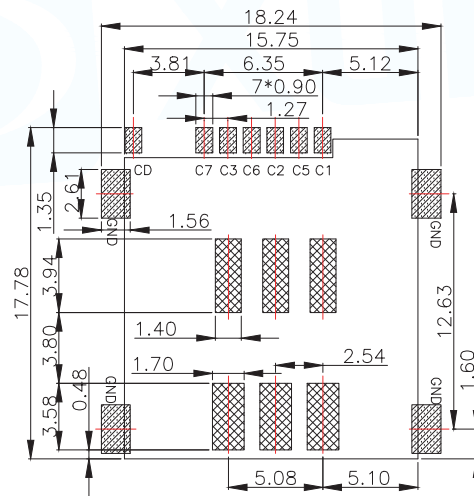
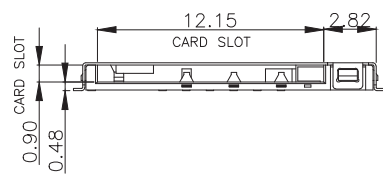


MICRO SIM CARD	
Pin No.	NAME
C1	VCC OF SIM
C2	RST OF SIM
C3	CLK OF SIM
C5	GND OF SIM
C6	VPP OF SIM
C7	I/O OF SIM
C4/C8	N/A
CD	DETECTION SWITCH

TECHNICAL CHARACTERISTICS

- General Characteristics
 Dimensions: 15.75LX17.17WX1.50H mm
 Weight: Approx 0.4±0.1g
 Durability: 1500 cycles min.
- Electrical Characteristics
 Contact resistance;
 Date Contact: 150mΩ max
 CD Switch: 500mΩ max
 Insulation resistance: >1000MΩ/500V DC
- Solderability
 Vapor phase: 215°C, 30sec. Max
 IR reflow: 250°C, 5sec. Max
 Manual soldering: 370°C, 3sec. Max
- Environmental Characteristics
 Operating temperature: -40°C ~ +85°C
 Operating humidity: 10% ~ +95%RH



PAD AREA
 KEEP OUT AREA

RECOMMENDED PCB LAYOUT
 GENERAL TOLERANCE ±0.05

Circuit Diagram for Detect Switch



ITEM	PART NAME	Q'TY	MATERIAL	FINISH
1	HOUSING	1	Hi-temp Thermoplastic	Black UL94V-0
2	DATA CONTACT	6	Copper Alloy	Contact area: Gold plated
3	CD SWITCH	1	Copper Alloy	Contact area: Gold plated
4	SHELL	1	Stainless Steel	SMT area: Gold plated
5	COIL SPRING	1	SWP	
6	HEART CAM	1	Hi-temp Thermoplastic	Black UL94V-0
7	CAM PIN	1	Stainless Steel	

MANUFACTURE DWG



UNLESS OTHERWISE SPECIFIED TOLERANCES



TITLE: MICRO SIM CARD PUSH
 PUSH 7PIN H1.35

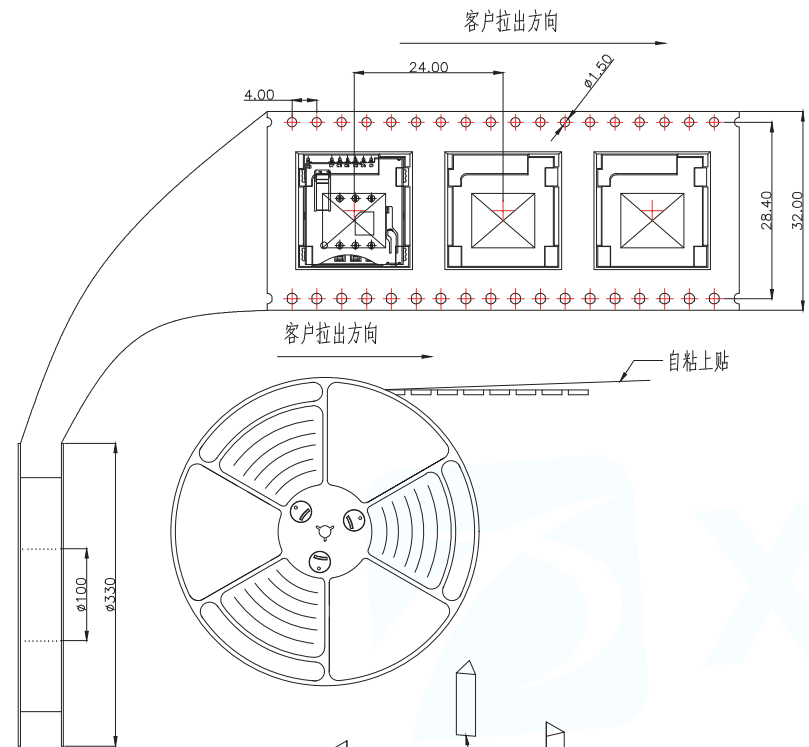
DECIMALS: ANGLES:

X.: ±0.5 X'.: ±2'

X.X: ±0.20 X.X': ±1"

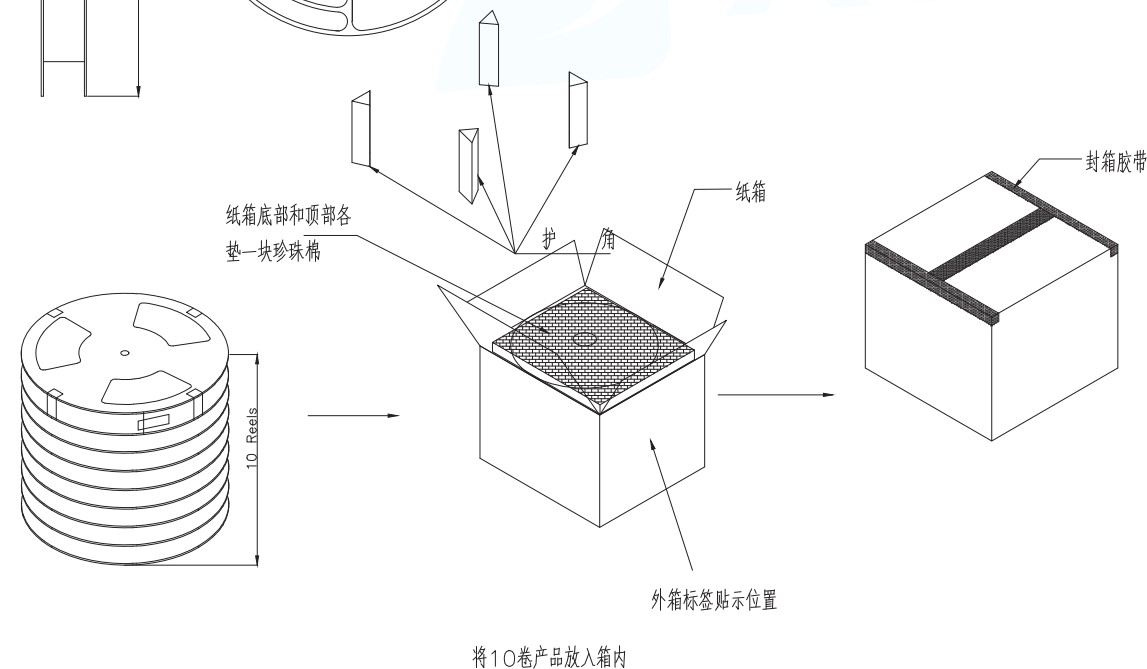
X.XX: ±0.10

PAR	SMC-203-ARP7
DWN	
CHKD	
APVD	
SCALE: 1:1	UNIT: MM
SIZE: A4	SHEET: 1F1
	REV: A



NOTES

1. 每卷包装数量: 1000PCS/每卷
2. 卷带包装方式:
3. 每箱包装数量: 10000PCS/箱
4. 纸箱 350mm*350mm*440mm (内部尺寸), 材质K=K



MANUFACTURE DWG		东莞市讯普电子科技有限公司 DongGuan XunPu Electronics Co., Ltd	
UNLESS OTHERWISE SPECIFIED TOLERANCES			TITLE: MICRO SIM CARD PUSH PUSH 7PIN H1.35 包装图
			PAR: SMC-203-ARP7
DECIMALS:	ANGLES:		DWN:
X.: ±0.5	X': ±2°		CHKD:
X.X: ±0.20	X.X': ±1°	APVD:	SCALE 1:1 UNIT: MM
X.XX: ±0.10		CUSTOMER COPY	SIZE: A4 SHEET: 1F1 REV: A