

# One-way Operation Type SPPW8 Series

| Photo | Dimensions | Mounting Hole Dimensions | Terminal Layout | Circuit Diagram |  
 | Packing Specifications | Soldering Conditions |

PRINT

Part number		<b>SPPW810203</b>
Poles		1
Positions		1
Terminal type		For PC board (Dip)
Operating force		0.3N max.
Slider height (mm)		6.55
ON start position (mm)		6.05
Total travel position (mm)		4.85
Operating temperature range		-10°C to +60°C
Rating (max.)/(min.) (Resistive load)		0.1A 30V DC/100μA 3V DC
Electrical performance	Contact resistance (Initial/After operating life)	1Ω max./2Ω max.
	Insulation resistance	100MΩ min. 100V DC
	Voltage proof	100V AC for 1 minute
Mechanical performance	Terminal strength	3N for 1 minute
	Actuator strength	10N
Durability	Operating life without load	100,000 cycles 2Ω max.
	Operating life with load Rating (max.) (Resistive load)	100,000 cycles 2Ω max..
Environmental performance	Cold	-20°C 96h
	Dry heat	85°C 96h
	Damp heat	40°C, 90 to 95%RH 96h

Minimum order unit (pcs.)	Japan	100
	Export	20,000

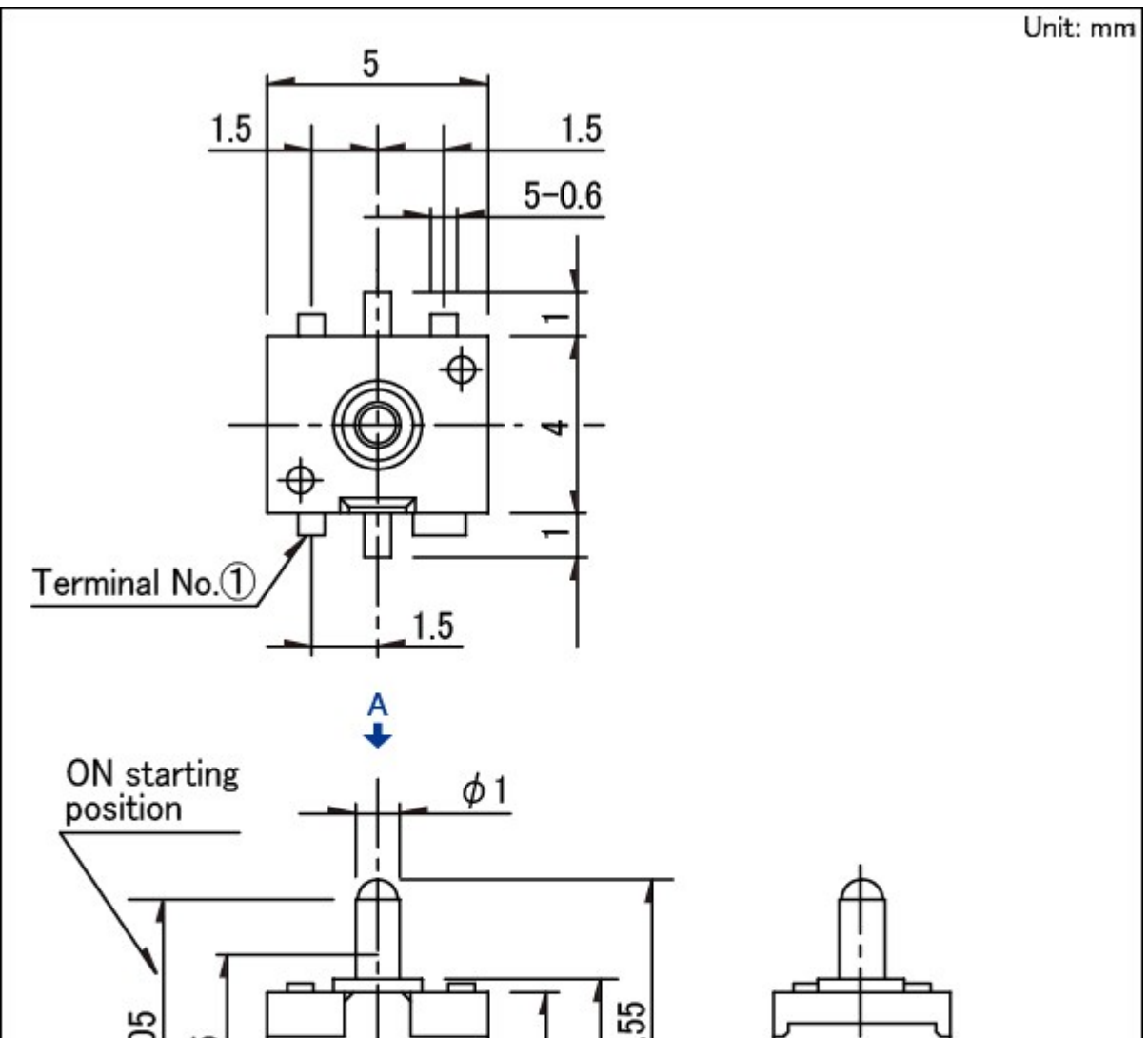
3D CAD (STEP) [↓](#)

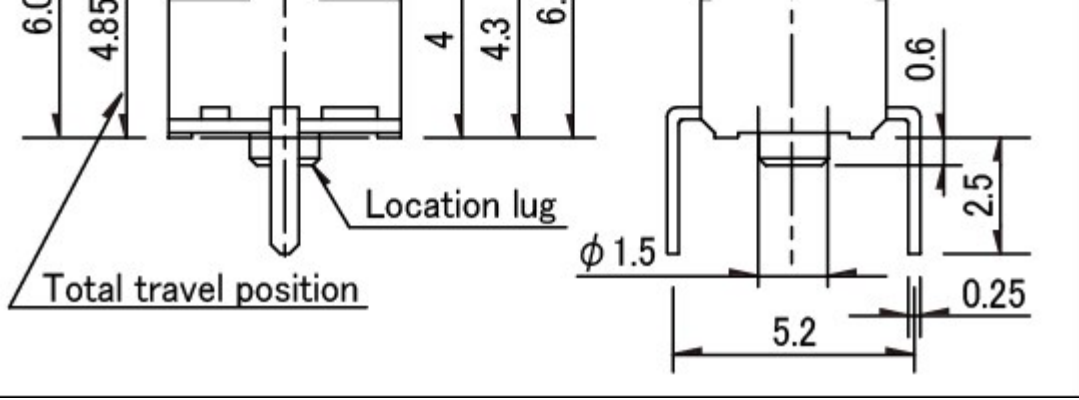
Certificate of Compliance to RoHS regulations [↓](#)

Photo

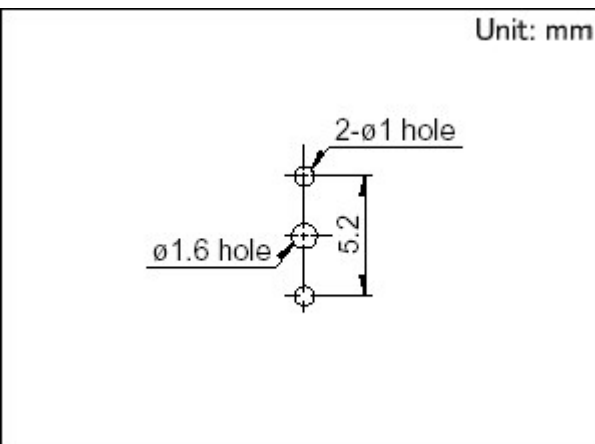


Dimensions

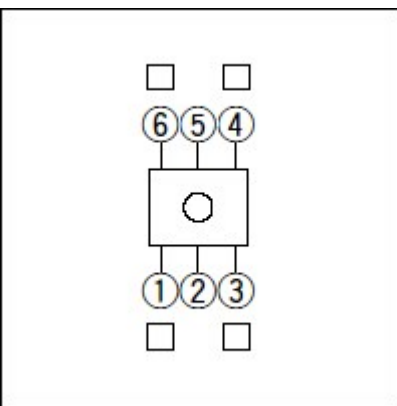




### Mounting Hole Dimensions

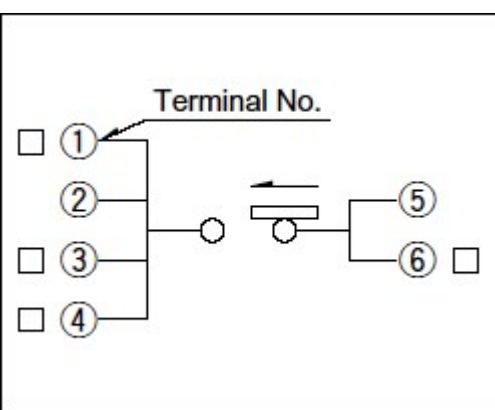


### Terminal Layout



mark shows a cutting terminal.

### Circuit Diagram



# Packing Specifications

## Bulk

Number of packages (pcs.)	1 case / Japan	4,000
	1 case / export packing	20,000
Export package measurements (mm)	400×270×290	

## Soldering Conditions

### Reference for Dip Soldering

Items	Preheating temperature	100°Cmax.
	Preheating time	60s max.
Dip soldering	Soldering temperature	255±5°C
	Duration of immersion	5±1s

### Reference for Hand Soldering

Soldering temperature	350±5°C
Soldering time	3s max.

Notes are common to this series/models.

1. This site catalog shows only outline specifications. When using the products, please obtain formal specifications for supply.
2. Standard type dimensions indicate "with location lug." version.
3. Please place purchase orders per minimum order unit (integer).
4. Products other than those listed in the above chart are also available. Please contact us for details.

## Inquiries about Products

 [Inquiry](#)

# Mouser Electronics

Authorized Distributor

Click to View Pricing, Inventory, Delivery & Lifecycle Information:

[Alps Alpine:](#)

[SPPW810203](#)