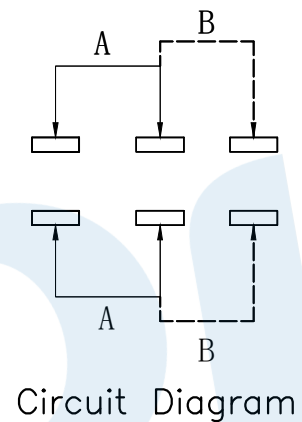
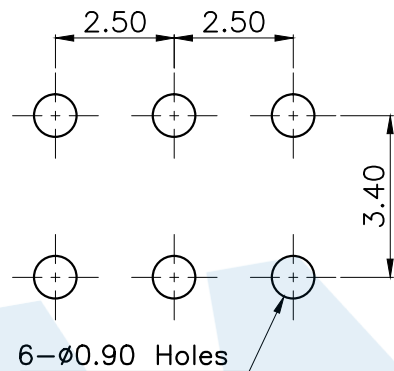
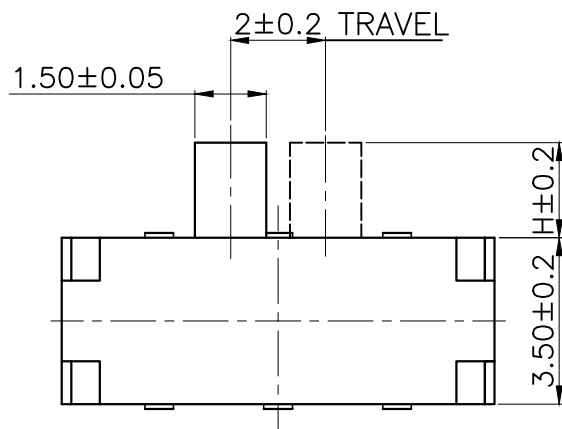
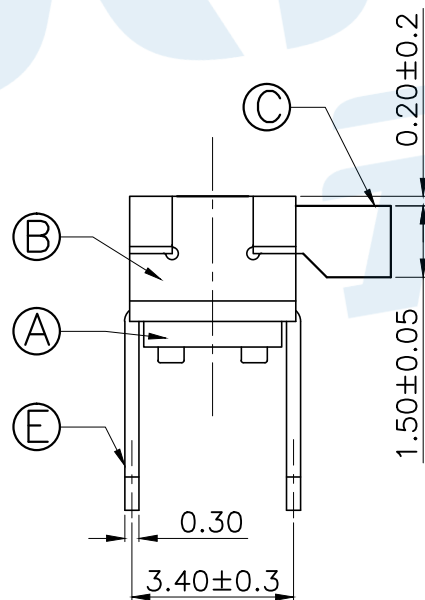
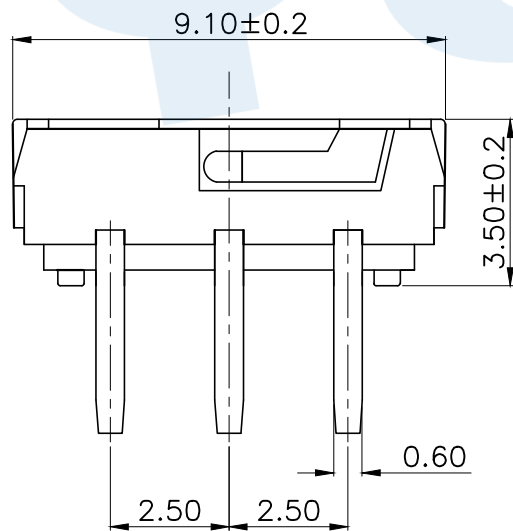


RoHS



PCB Layout(Pattern side)



| Code | H | Operating force |
|------|-----|-----------------|
| A1 | 2.0 | 200±80gf |
| A2 | 3.0 | |
| A3 | 4.0 | |

| NO. | Name | Number | Qty | Materil | Remarks |
|-----|--------------|--------|-----|------------------|----------------|
| ⑤ | Terminal | | 6 | Brass | Silver |
| ④ | Contact reed | | 2 | Beryllium copper | Silver covered |
| ③ | Handle | | 1 | PA46 | Black |
| ② | Cover | | 1 | SUS | Silver |
| ① | Base | | 1 | PA46 | Black |

YUANDI® Yuandi Electronics Co, Ltd

| | | | |
|----------|------|------|---------------|
| design | date | name | TOGGLE SWITCH |
| Review | date | name | TA-3531-A□ |
| Approved | date | name | |

Drawing number: Proportion 1:1 unit mm gage number A4

modify Review Approved Tolerance not specified