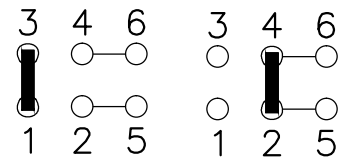
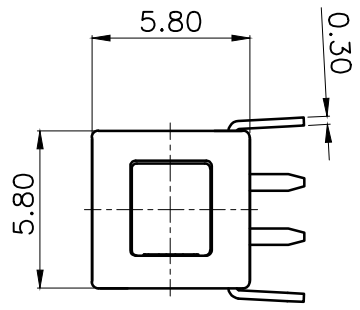
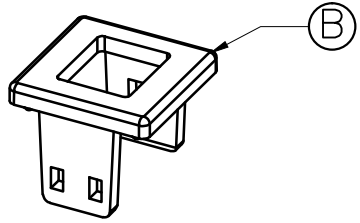
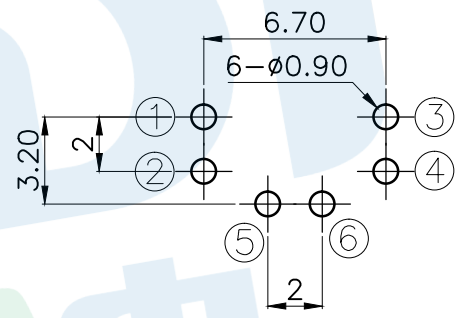
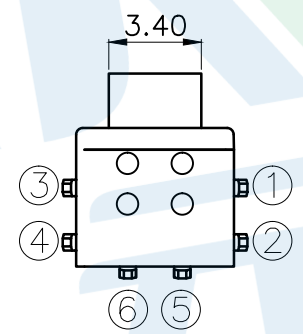
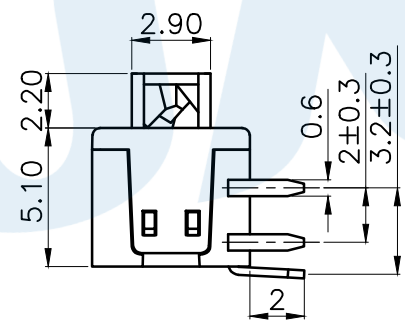
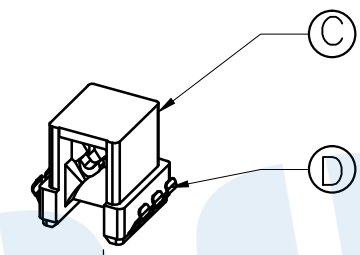
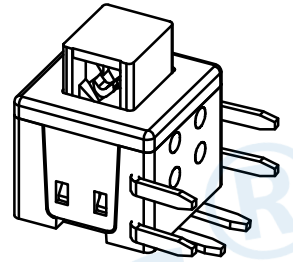


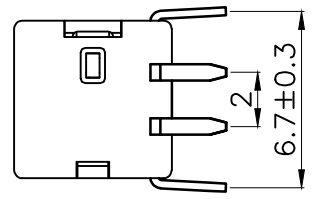
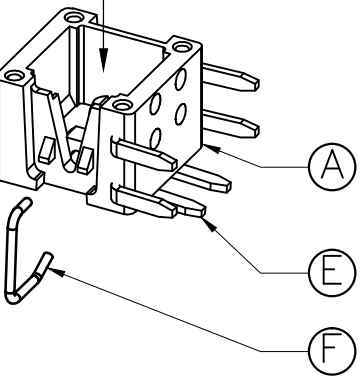
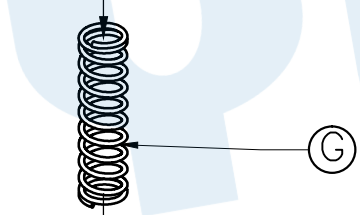
RoHS



Free      Lock  
Circuit Diagram



PCB Layout(Pattern Side)



NO.	Operating Type	Part No.	Operating force	Travel
1	Push To Lock	TK-6580A8-1	250±50gf	2.0±0.2
2	Push No Sound No Lock	TK-6580A8-2	250±50gf	2.0±0.2

NO.	Name	Number	Qty	Materil	Remarks
③	Spring	1	1	SUS	Natural
④	Crochet Needle	1	1	SUS	Natural
⑤	Terminal	6	6	Brass	Silvering
⑥	Reed	2	2	Phosphorus Copper	Silvering
⑦	Button	1	1	PBT	White
⑧	Cover	1	1	PBT	White
⑨	Base	1	1	PBT	Black

YUANDI® Yuandi Electronics Co, Ltd

design	date	name
Review	date	name
Approved	date	name

Drawing number:      Proportion: 1:1      unit: mm      gage number:      A4

angle	±2'
10~30	±0.30
5~10	±0.20
~ 5	±0.10