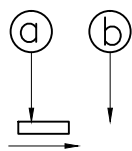
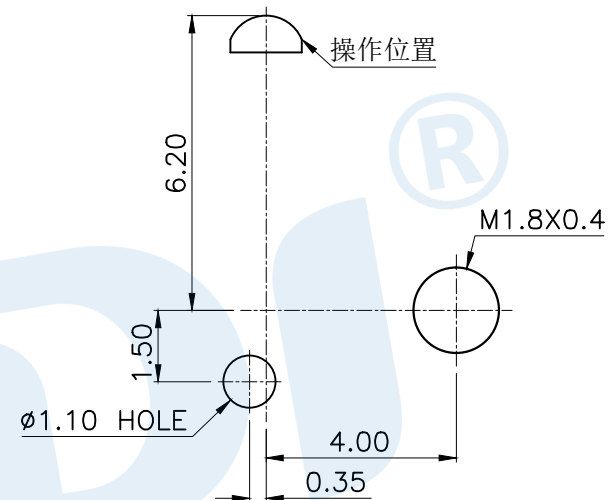
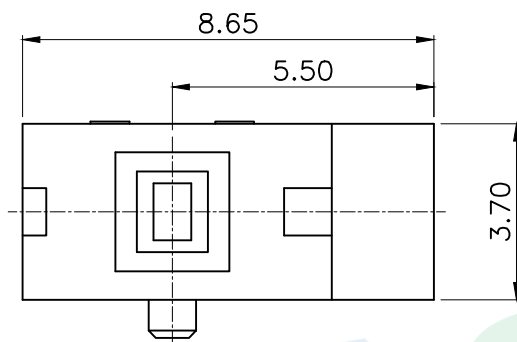


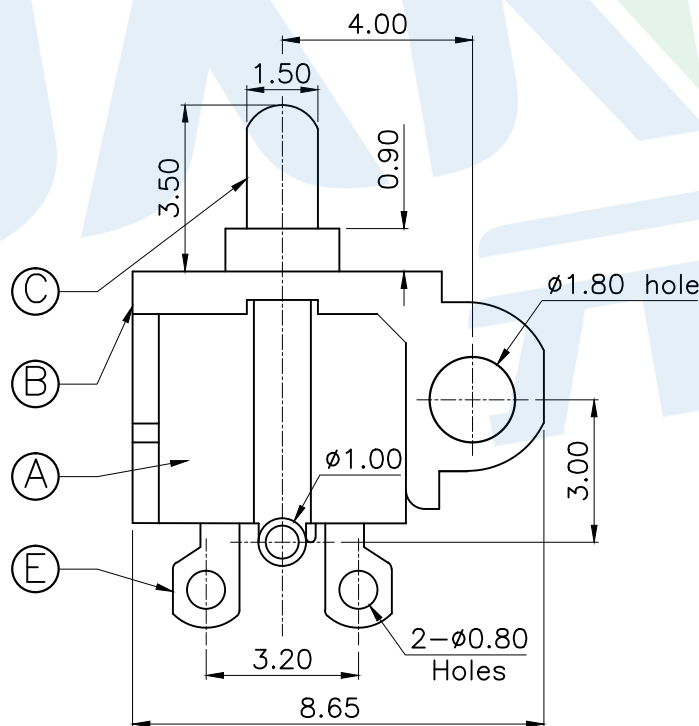
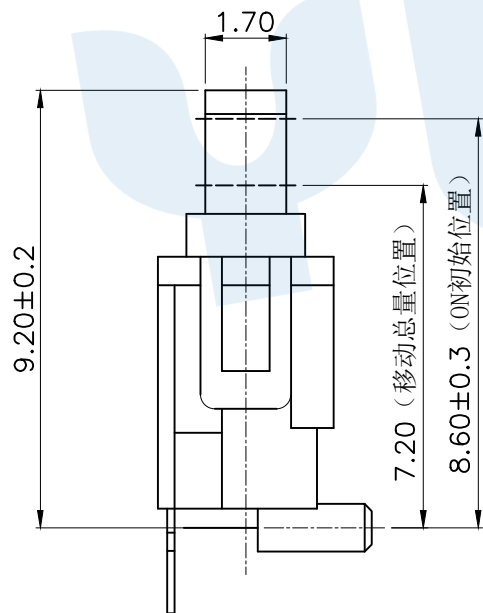
RoHS



Circuit Diagram



PCB Layout(Pattern side)



Technical Parameters

- 1. Rated current: DC 30V 0.1A
- 2. Operating force: 50±10gf
- 3. Mechanical life: 100,000 times

NO.	Name	Number	Qty	Materil	Remarks
⑤	Terminal		2	Phosphor bronze	Silvering
④	Contact Spring		1	Phosphor bronze	Silvering
③	Button		1	POM	Black
②	Cover		1	POM	Black
①	Base		1	PA66	Black

YUANDI® Yuandi Electronics Co, Ltd

design	date	name	DETECTION SWITCH
Review	date	name	TQ-2526A
Approved	date	name	

Drawing number: Proportion 1:1 unit mm gage number A4

modify Review Approved Tolerance not specified

angle	±2'
10~30	±0.30
5~10	±0.20
~ 5	±0.10