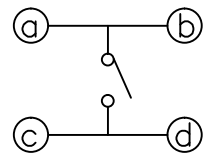
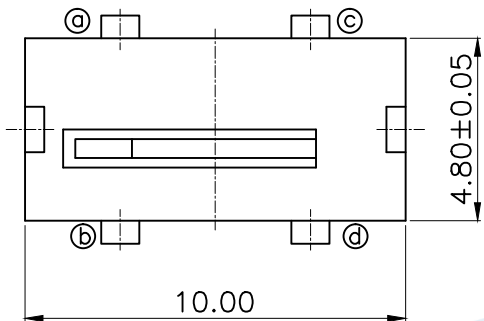
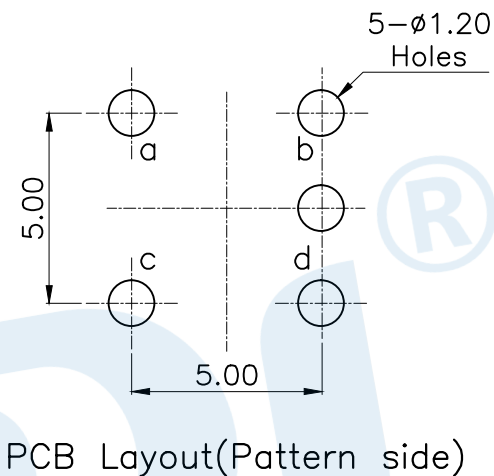


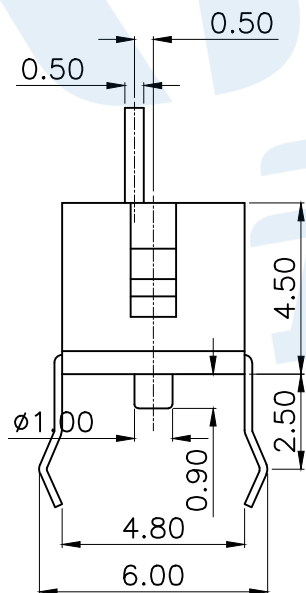
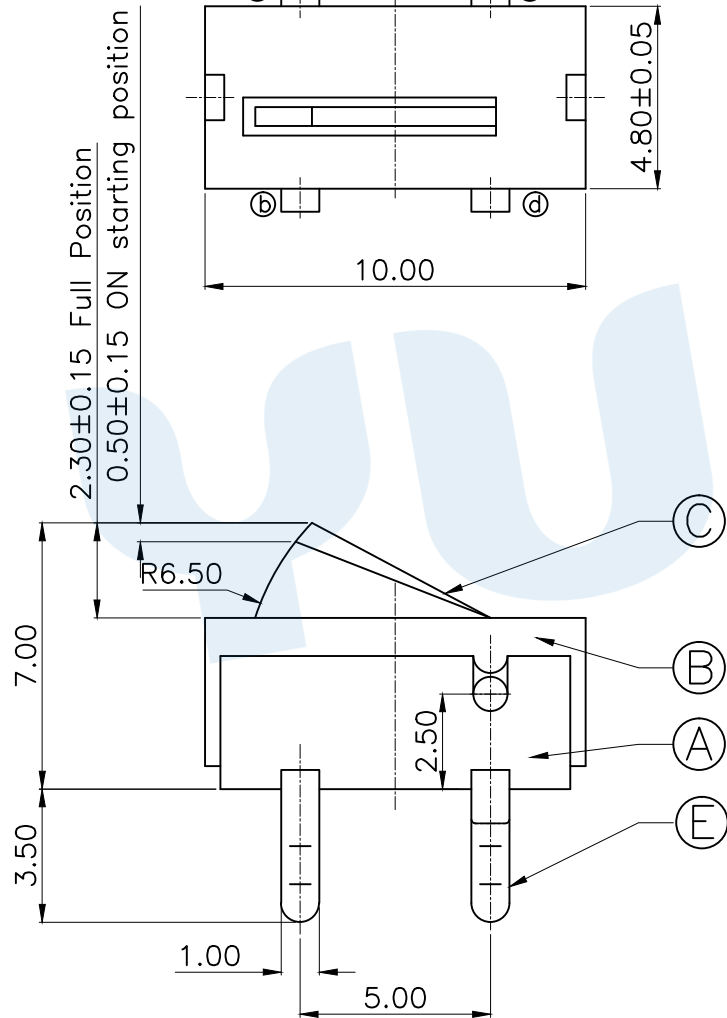
RoHS



Circuit Diagram



PCB Layout(Pattern side)



CODE	
TQ-2534	TQ-2534-1

Technical Parameters

1. Rated current: DC 30V 0.1A
2. Operating force: 30±10gf
3. Mechanical life: 50,000 times

NO.	Name	Number	Qty	Material	Remarks
Ⓔ	Terminal		4	Brass	Silvering
Ⓓ	Contact Reed		1	Phosphor bronze	Silvering
Ⓒ	Button		1	LCP	White
Ⓑ	Cover		1	PPA	Black
Ⓐ	Base		1	PPA	Black

YUANDI® Yuandi Electronics Co., Ltd

design	date	name	DETECTION SWITCH
Review	date	model	TQ-2534
Approved	date		

Drawing number: Proportion 1:1 unit mm gage number A4

modify Review Approved Tolerance not specified

angle ±2'
10~30 ±0.30
5~10 ±0.20
~ 5 ±0.10