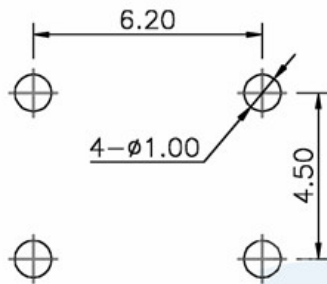
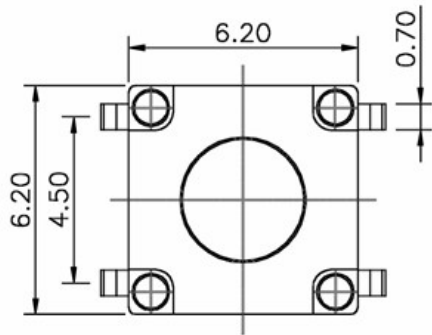
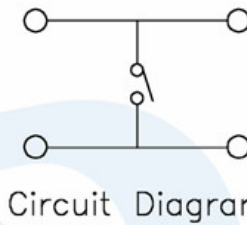


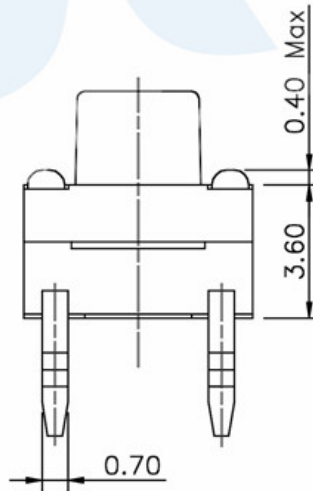
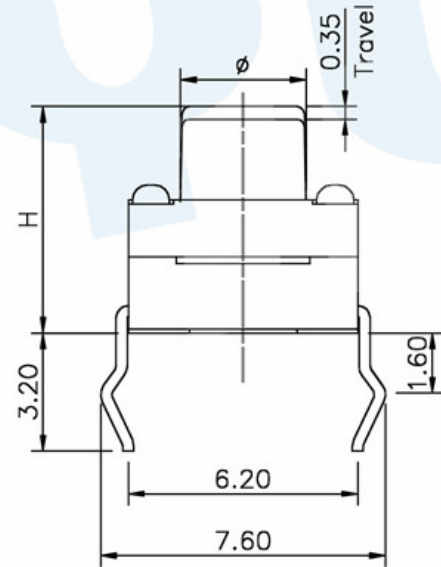
RoHS



PCB Layout(Pattern side)



Circuit Diagram



H	∅	H	∅
4.3	3.5	10	3.1
4.5	3.5	11	3.0
5.0	3.5	12	3.0
5.5	3.5	13	3.0
6.0	3.5	14	3.0
6.5	3.3	15	3.0
7.0	3.3	16	3.0
7.5	3.3	17	3.0
8.0	3.3	18	2.9
8.5	3.3	19	2.9
9.0	3.1	20	2.9
9.5	3.1	21	2.9

Operating force	
180gf±50gf	
250gf±50gf	

No	Name	Number	Qty	Material	Remarks
F	Waterproof mat	1	1	Silica gel	Black
E	Terminal	4	4	Brass (0.3t)	Silvering
D	Reed	1	1	SUS	Silver covered
C	Button	1	1	PPA	Black
B	Cover	1	1	PPA	Black
A	Base	1	1	PPA	Black

YUANDI 元迪 **Yuandi Electronics Co., Ltd**

Design	Review	Approved	Modify	angle	±2°	10~30	±0.30	5~10	±0.20	~5	±0.10	Drawing number:	proportion	1:1	unit	mm	page number	A4	
												name		TACT SWITCH					
												model		TS-1010					