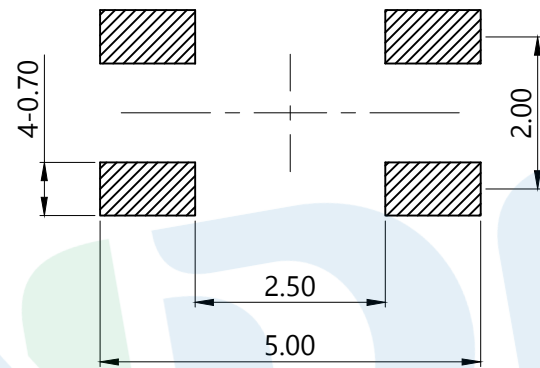
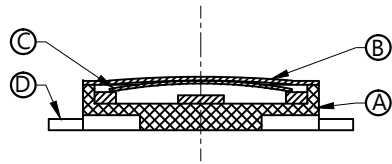
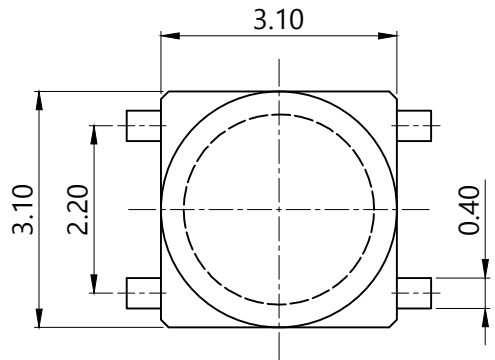
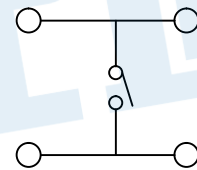
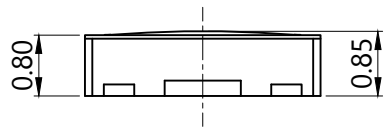
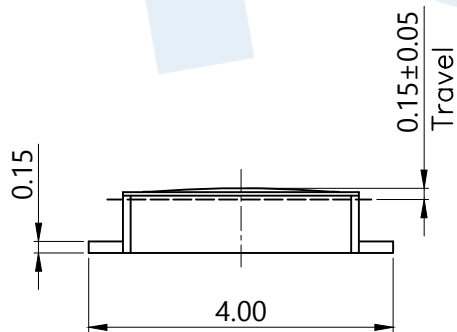


RoHS



PCB Layout(Pattern side)



Circuit Diagram

OPERATING FORCE	
CODE	VIGOR
B2	180±30gf
B3	250±30gf

SHRAPNEL	
CODE	MATERIAL/QTY
D2	SUS/1PCS
D4	SUS/2PCS

Ⓓ	Terminal	4	Phosphor Bronze	Silvering	
Ⓒ	Reed	2	SUS	Silver covered	
Ⓑ	Dust film	1	Polyimide tape		
Ⓐ	Base	1	LCP	Black	
NO.	Name	Number	Qty	Material	Remarks

**YUANDI®** Yuandi Electronics Co., Ltd

design	date	name	TACT SWITCHS
Review	date	name	TS-1075-B□D□
Approved	date	name	

angle	±2'	Design number:	
10~30	±0.30	Proportion	1:1
5~10	±0.20	unit	mm
~ 5	±0.10	mm	gape number
modify	Review	Approved	A4

Tolerance not specified	Proportion	1:1	unit	mm	gape number
-------------------------	------------	-----	------	----	-------------