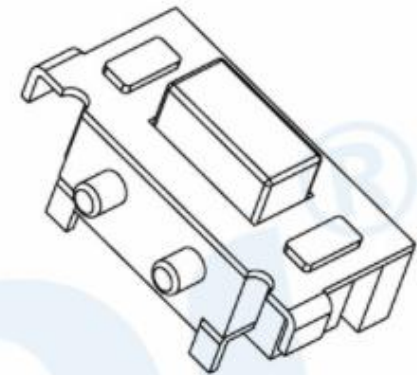
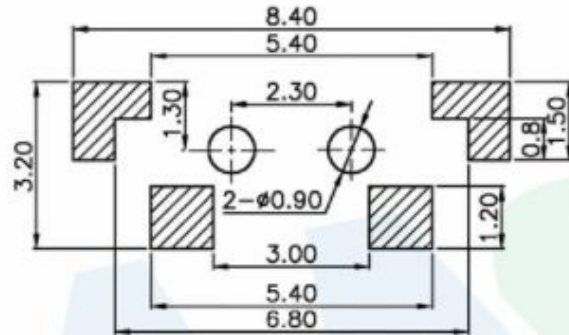
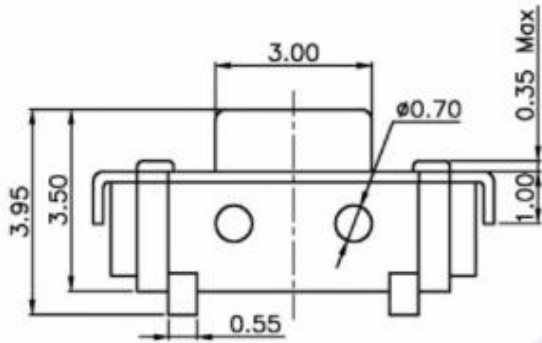


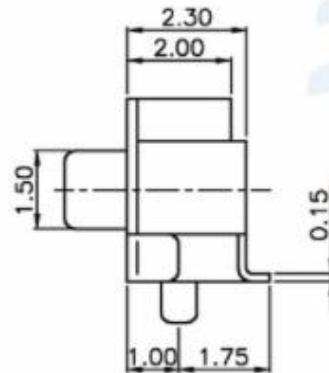
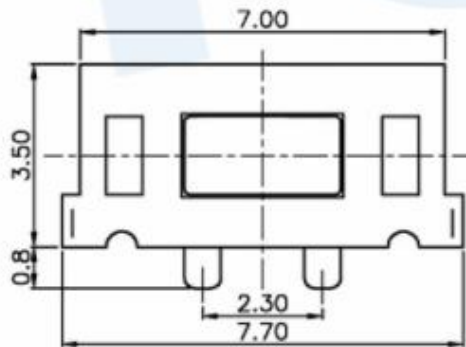
RoHS



Circuit diagram

PCB Layout recommended

Operating force
180gf±30gf
250gf±30gf



No	Name	Number	Qty	Materil	Remarks
E	Terminal		2	Phosphor bronze	Silvering
D	Reed		1	SUS	Silver covered
C	Button		1	Nylon	Black
B	Cover		1	Brass	Nickel plating
A	Base		1	Nylon	White

YUANDI® Yuandi Electronics Co.,Ltd
元迪

design	date	name	TACT SWITCH
Review	date	model	TS-1087B
Approved	date		

				angle	±2°
				10~30	±0.30
				5~10	±0.20
				~5	±0.10
				Tolerance not specified	
	modify	Review	Approved	Drawing number:	

proportion	1:1	unit	mm	page number	
------------	-----	------	----	-------------	--

A4