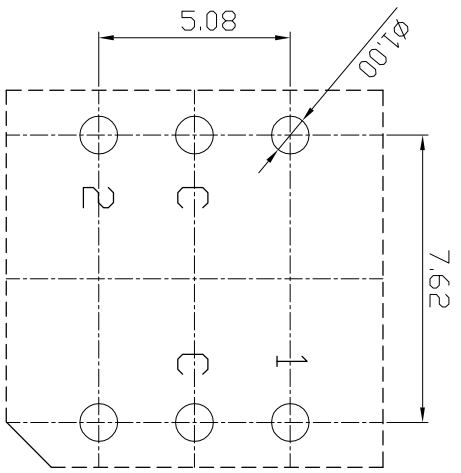
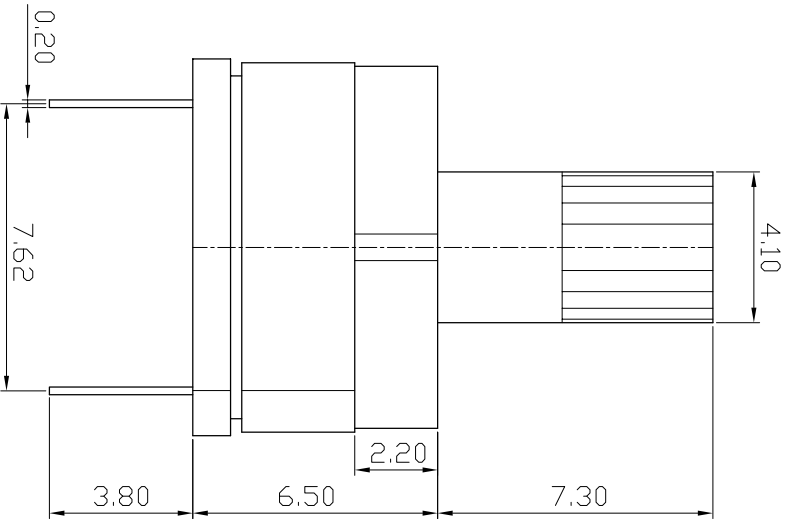
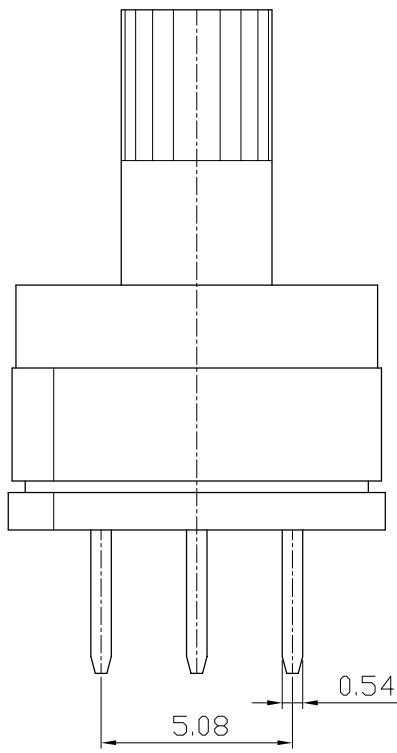
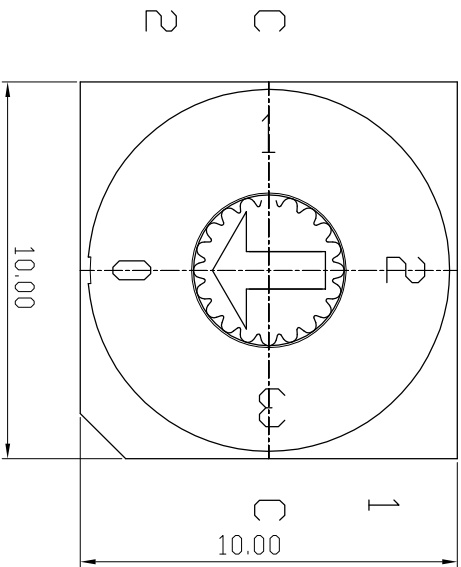


MARK	DATE	REMARKS
△		
△		



P.C.B DIMENSION

SPECIFICATION

1. Rating : 150mA, 42V DC (Switching)
200mA, 42V DC (None-Switching)
2. Contact Resistance : 80mΩ Max
3. Insulation Resistance : 100MΩ Min
4. Operating Force : 700gf Max
5. Life cycle : 10,000 steps

		Real Coded		
		C	1	2
04	0	●		
P	1	●	●	
o	2	●		
s	3			●
i				
t				
t				
i				
o				
n				

APPD	CHKD	D'SGD	TITLE	ROTARY DIP SWITCH	
K.L LEE	J.P ROH	H.S LEE	MODEL NO.	TSR-04	
				REV	A
SUNGWUN ELECTRONICS CO., LTD.					