

NOTES:

1. MATERIALS OF CONSTRUCTION:

- BODY = ZINC DIE CAST, NICKEL PLATING .000100" MIN. THICK OVER ZINC ALLOY
- CONTACT PIN = PHOSPHOR BRONZE, GOLD PLATING AT CONTACT AREA, TIN OVER PLATING AT TALL & NICKEL PLATING OVER ALL. GOLD PLATING THICKNESS .000003" MIN.
- GROUNDING TERMINAL = COPPER PLATED STEE WITH TIN PLATING.
- MOUNTING HOOK (2) = BRASS, TIN PLATED
- LOCKWASHER = S50C, NICKEL PLATED (.000080" MIN THICK)
- HEX NUT = BRASS, NICKEL PLATED (.000080" MIN. THICK)
- HOUSING = PBT + 15% G.F. (UL 94 V-0), WHITE
- INSULATOR = POLYPROPYLENE UL 94 HB, NATURAL

2. ELECTRICAL:

- A. IMPEDANCE: 50 OHMS
- B. FREQUENCY RANGE: 0-1 GHz
- C. OPERATING VOLTAGE: 500 VOLTS RMS
- D. CONTACT RESISTANCE: 3.0 MILLIOHMS MAX. (GOLD)
- E. DIELECTRIC WITHSTANDING VOLTAGE: 1500 VOLTS RMS
- F. INSULATION RESISTANCE: 5000MEGOHMS MIN.

3. MECHANICAL:

- A. DURABILITY: 500 CYCLES MIN.
- B. TEMPERATURE RANGE: -65°C TO +165°C

4. MAX. PANEL THICKNESS = 5mm [.197]

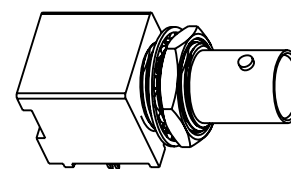
5. PACKAGING:

- A. PRODUCT TO ARRIVE IN PLASTIC TRAYS ONLY.
- B. TRAY TO BE MARKED: AMPHENOL RF
31-5431-10RFX
B6252H5-NPP3G-50
DATE CODE

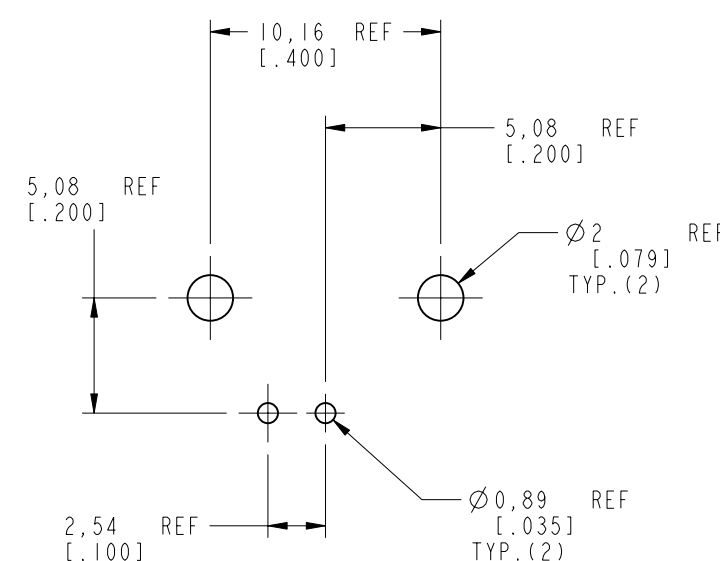
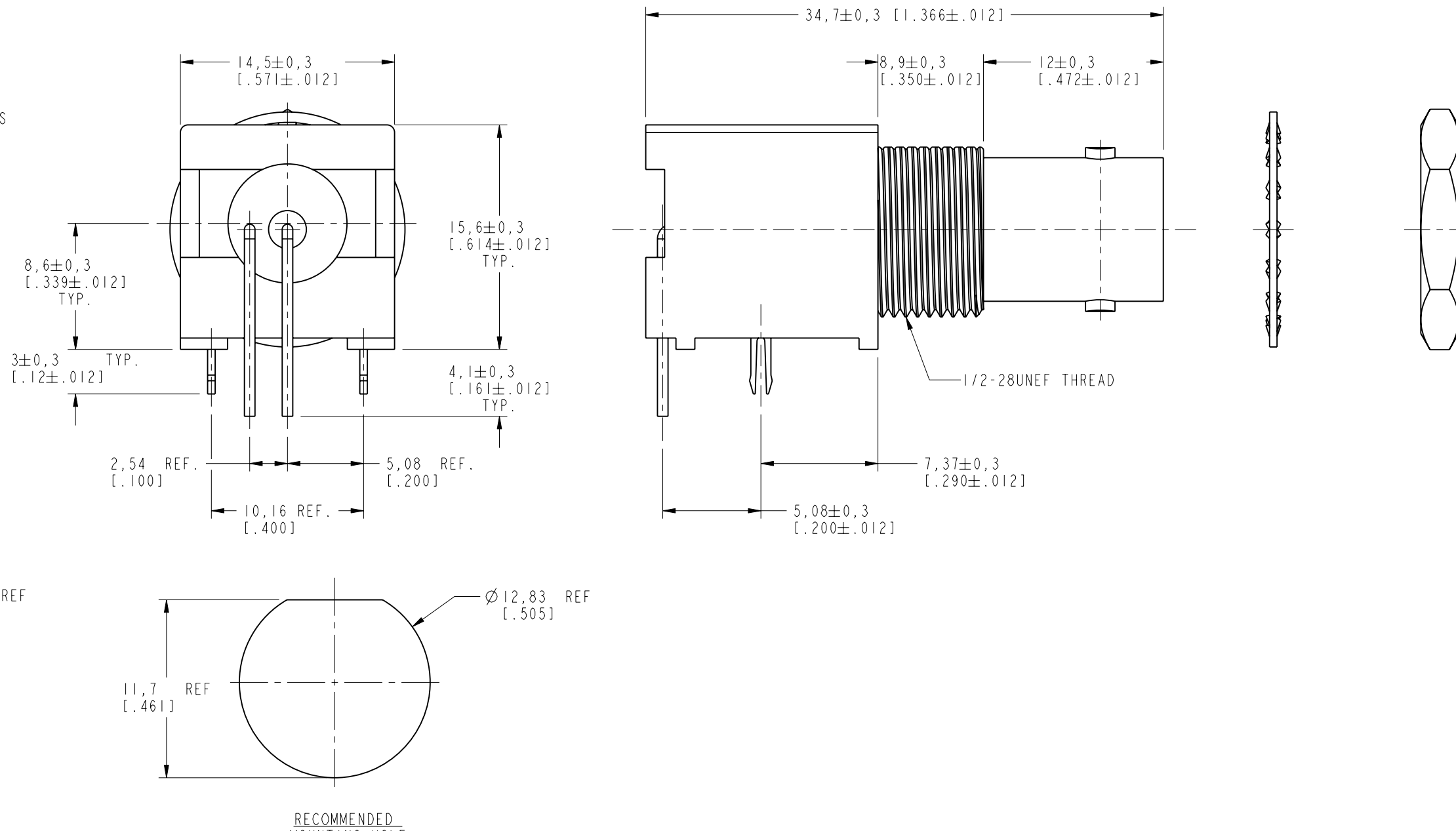
THIRD ANGLE PROJ.

REVISIONS

REV	DESCRIPTION	DATE	ECO	APPR
A	RELEASE TO MFG.	3/7/02	43981	CPM
B	SEE SHEET 1	6/16/05	45589	CPM
C	CORRECTED VIEW	9/6/11	48513	CPM
D	REMOVED BORDER AROUND PCB LAYOUT (ERROR)	1/13/15	50336	BCG
E	SYNC, REMOVED RECESSED AREA	26-Jul-16	01342	SH



SCALE 1.000



RECOMMEND P.C.B LAYOUT

RECOMMENDED MOUNTING HOLE

CUSTOMER OUTLINE DRAWING

ALL OTHER SHEETS ARE FOR INTERNAL USE ONLY

<p>UNLESS OTHERWISE SPECIFIED, DIMENSIONS ARE IN METRIC AND TOLERANCES ARE: <0.5mm ± 0.05mm 0.5 - 6mm ± 0.1mm 6 - 30mm ± 0.2mm 30 - 120mm ± 0.3mm ANGLES ± 1°</p>	MATERIAL	DRAWN M. ZHANG	DATE 26-Jul-16	<p>TITLE BNC R/A PCB MOUNT RECEPTACLE (AUTO BENDING & MOUNTING HOOK)</p>	<p>Amphenol RF www.amphenolrf.com</p>
	REFERENCE EAR # 363 AND GEN# 31-5431-10RFX_ASSY	ENGINEER O. BARTHELMES	DATE 2/22/02		
<p>NOTICE - These drawings, specifications, or other data (1) are, and remain the property of Amphenol corp. (2) must be returned upon request; and (3) are confidential and not to be disclosed to any person other than those to whom they are given by Amphenol Corp. the furnishing of these drawings, specifications, or other data by Amphenol Corp., or to any other person to anyone for any purpose is not to be regarded by implication or otherwise in any manner licensing, granting rights to permitting such holder or any other person to manufacture, use or sell any product, process or design, patented or otherwise, that may in any way be related to or disclosed by said drawings, specifications, or other data.</p>	CONFIGURATION LEVEL: In Work	APPROVED S. HSIEH	DATE 26-Jul-16	<p>SCALE: 3.0:1.0 SHEET 2 OF 2</p>	<p>ITEM NO. 016252AAA07MB5F</p>
	FINISH	CAD FILE	DWG SIZE B	REV E	<p>PART NO. 31-5431-10RFX</p>