

PRODUCT NUMBER
10075025-XXX-XXXLF

PLATING

S = 0.38µm GOLD/GXT ON CONTACT AREA
2µm MIN MATTE TIN ON TAIL

G = 0.76µm GOLD/GXT ON CONTACT AREA
2µm MIN MATTE TIN ON TAIL

F = GOLD FLASH ON CONTACT AREA
2µm MIN MATTE TIN ON TAIL
1.27µm MIN NICKEL UNDERPLATING

LEAD FREE
RoHS COMPATIBLE
NOTE 7

PACKAGING
NOTE 5

TOTAL NUMBER OF
POSITIONS 04 TO 50

PIN STYLE	TAIL LENGTH	MISSING PIN POSITION
01	2.00	
02	2.50	
03	2.00	A01
04	5.00	

NOTES:

- MATERIAL HOUSING: HIGH TEMP. THERMOPLASTIC UL 94V-0, COLOR NATURAL
- MATERIAL TERMINAL: COPPER ALLOY
- TO DETERMINE DIMENSIONS:
N = NUMBER OF POSITIONS PER ROW
- 7N MIN. PIN RETENTION IN EITHER DIRECTION.
- PACKAGING:
= STANDARD PACKAGING IN POLYBAG
U = TUBE AVAILABLE FROM 03 TO 25 POS PER ROW
A = TAPE & REEL WITH PICK UP CAP, AS AVAILABLE.
- POLARIZATION :
- SEE TABLE FOR AVAILABILITY
- FOR NEW REQUEST, PLEASE TO CONTACT FCI

7. RoHS COMPATIBLE PRODUCT SPECIFICATIONS

a - PLATING:

- "LF" MEANS THE PRODUCT IS LEAD-FREE, 2µm MINIMUM MATTE TIN OVER 1.27µm MINIMUM NICKEL UNDERPLATE.

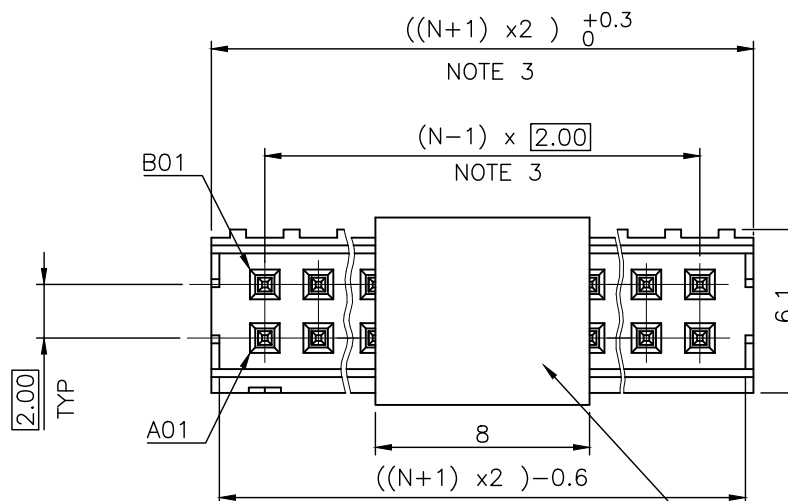
b - MANUFACTURING PROCESS COMPATIBILITY

- THE HOUSING WILL WITHSTAND EXPOSURE TO 260°C PEAK TEMPERATURE FOR 30 SECONDS MAX IN A CONVECTION, INFRA-RED, OR VAPOR PHASE OR REFLOW OVEN
- THE HOUSING WILL WITHSTAND EXPOSURE TO 260°C ±5°C SOLDER BATH TEMPERATURE FOR 5 SECONDS IN A WAVE SOLDER APPLICATION WITH A 1.6mm MIN THICK CIRCUIT BOARD.

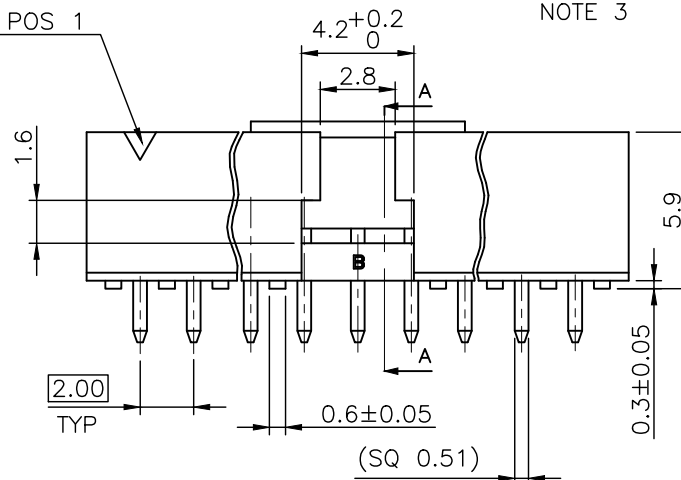
c - LABELLING:

- MEETS PACKAGING SPECS AS PER GS-14-920

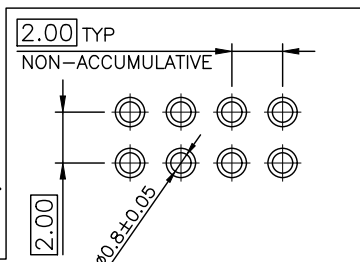
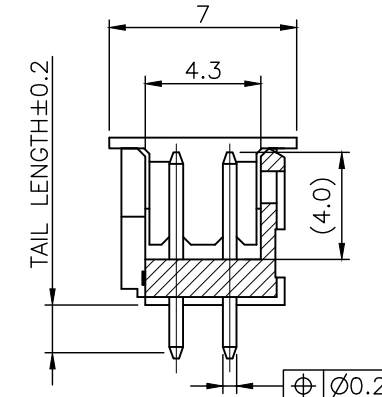
d - LEGAL STATEMENT : SEE GS-47-0004



INDICATES POS 1



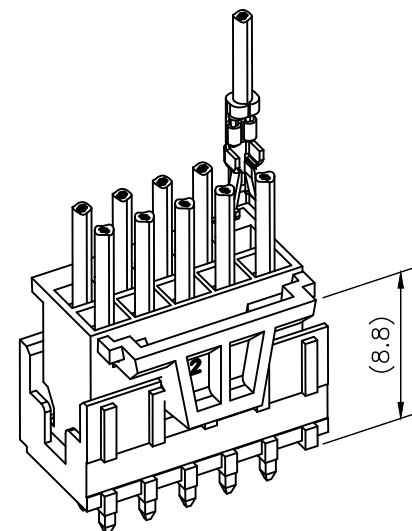
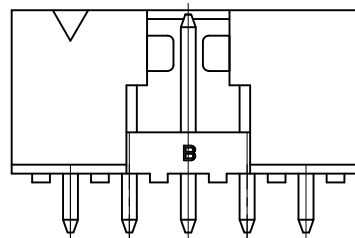
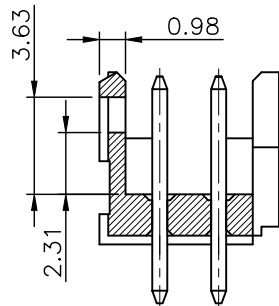
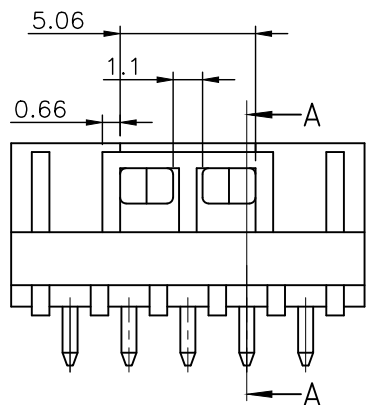
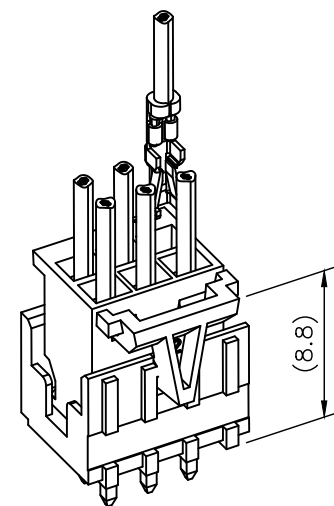
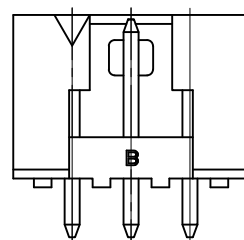
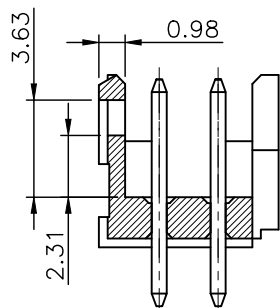
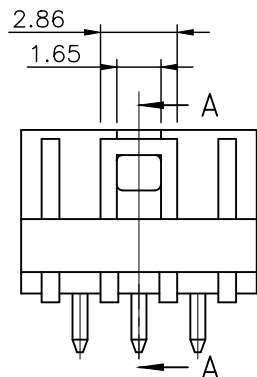
OPTIONAL PICK UP CAP



RECOMMENDED 1.6mm THICK PCB LAYOUT
STENCIL DESIGN RECOMMENDATIONS
AS PER TA-896

mat'l. code		surface	tolerance	projection	product family
		ISO 1302	ISO 406 ISO 1101		MINITEK
ltr	ecn no	dr	date	title	
Y	F-42796	DDE	21.11.04	SHROUDED HEADER	
		tolerances unless otherwise specified		mm	2.00 mm VERTICAL PIP
		angles	linear	scale 5:1	dwg no
			.x ±0.3		sheet 1 of 2
			.xx ±0.15		size
			.xxx ±0.05		10075025
T	F-24838	LMU	16.08.29		A3
U	F-34620	DDE	19.08.20		type
V	F-39200	DDE	20.12.03		CUSTOMER
W	F-39408	DDE	20.12.21		Drawing
X	F-39557	DDE	21.01.07		
sheet		revision	Y	D	
index		sheet	1	2	

2x3 POS AND 2x4 POS CONFIGURATION
NO LATCHING AVAILABLE FOR 2x2 POS



2x5 POS UP TO 2x25 POS CONFIGURATION

LATCHING FEATURES WHEN USED IN COMBINATION
WITH ACTIVE LATCH HOUSING 10073599

mat'l. code		surface ISO 1302 <input checked="" type="checkbox"/>		tolerance ISO 406 <input checked="" type="checkbox"/> ISO 1101		projection 		product family MINITEK	
ltr	ecn no	dr	date	tolerances unless otherwise specified		mm		title	
A	F06-0113	LMU	08.01.07	angles	linear	.x ±0.3	SCALE 5:1	SHROUDED HEADER 2.00 mm VERTICAL PIP	
B	B-17556	JCO	14.04.23			.xx ±0.15			
C	F-39557	DDE	21.01.07			.xxx ±0.05			
D	F-42796	DDE	21.11.04	dr	L MULIN	07.12.04		dwg no	
				enr	J.COMPAGNON	07.12.04		sheet 2 of 2	
				chr				10075025	
				appd	JM.C	07.12.04		A3	
sheet index	revision sheet							type CUSTOMER Drawing	



FCIconnect.com

Copyright FCI