

PRODUCT NUMBER
20020006-XXXXXXLF

20020006 — □ □ □ □ □ ○ □ L F



PITCH
G: 5.00 mm
H: 5.08 mm


POLES
02: 2 POLES
03: 3 POLES
04: 4 POLES
—
24: 24 POLES

LF : DENOTED RoHS COMPATIBLE

1 : STANDARD PRODUCT W/ BOX PACKING

SCREW CODE

CODE	SCREW TYPE	AVAILABILITY
A	-/+ 	ON REQUEST ONLY
B	- 	STANDARD

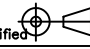
PROPERTY TABLE			
FCI SERIES NAME		01-500	01-508
PITCH (mm)		5.00	5.08
VOLTAGE RATING (VAC)		300	300
CURRENT RATING (A)		12	12
APPLICABLE WIRE RANGE (AWG)	1-WIRE	12~24	12~24
	2-WIRE	18	18
WIRE CROSS SECTION (mm ²)	SOLID		
	1-WIRE	2.5	2.5
	2-WIRE	1.0	1.0
	STRANDED		
	1-WIRE	2.5	2.5
	2-WIRE	1.5	1.5
OPENING CONTACT HOUSING(mm ²)		2.6x3.2	2.6x3.2
WIRE STRIP LENGTH(mm)		7~8	7~8
TORQUE +/-10% (N-m/Lb-in)		0.57/5.0	0.57/5.0
SCREW		M3x0.5	M3x0.5
WITHSTANDING VOLTAGE (kV)		1.6	1.6
OPERATING TEMP. (°C)		-40~+115	-40~+115
POLES AVAILABLE		02~24	02~24
SAFETY CERTIFICATE			

HOUSING CODE

CODE	COLOR	AVAILABILITY
1	GREEN(RAL 6018/T)	STANDARD
2	BLACK	ON REQUEST ONLY
3	GREY(RAL 7004/P)	ON REQUEST ONLY
4	BLUE(RAL 5015/A)	ON REQUEST ONLY

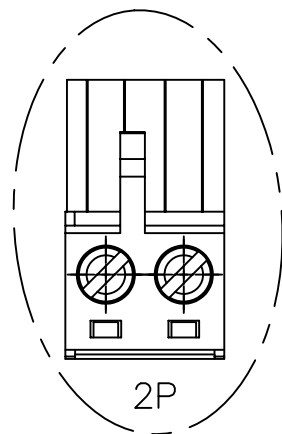
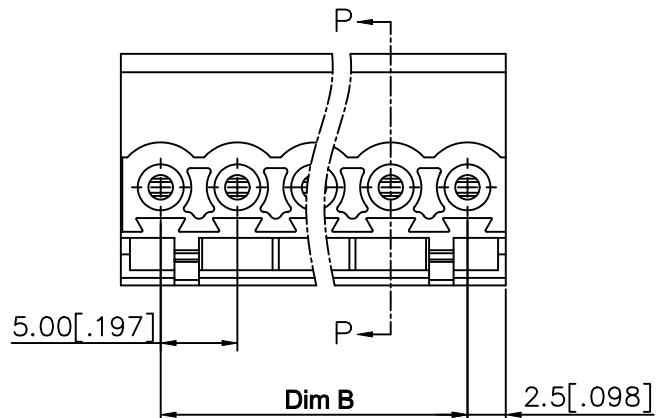
NOTES:

- MATERIALS
 1-1 HOUSING: THERMALPLASTIC RESIN, UL 94V-0 RATED.
 1-2 SCREW: STEEL, ZINC PLATED.
 1-3 CLAMP: COPPER ALLOY, NICKEL PLATED.
 1-4 TERMINAL: COPPER ALLOY, TIN PLATED.
2. PRODUCTION SPECIFICATION REFER TO FCI GS-12-625.
 3. BOXED PACKAGING.
 DETAILED PRODUCT PACKING SPECIFICATION REFER TO FCI GS-14-1394.
 4. FCI, SAFETY CERTIFICATE LOGO AND SERIES NAME TO BE SHOWN ON PRODUCT SURFACE.
 5. THE PRODUCTS WHERE THE PART NUMBER END IN "LF" MEET THE EUROPEAN UNION DIRECTIVE AND OTHER COUNTRY REGULATIONS AS DESCRIBED IN GS-22-008.

mat'l. code				surface ASME Y14.5	tolerance ASME Y14.5	projection	product family
ltr	ecn no	dr	date	tolerances unless otherwise specified			TERMINAL BLOCK
D	T10-0042	WL	030310	angles to file	X.±0.5[.020]		title
E	T10-0127	WL	080910		X.X±0.3[.012]		
F	T10-0159	WL	100410	X'±1"	X.XX±0.1[.004]	scale	TERMINAL BLOCK PLUGGABLE PLUG, CONTACT UP SIDE
G	T10-0187	WL	121410	dr	BEER FU 062509		
H	T-004746	WL	072011	enr	BEER FU 062509	FCI	20020006
				chr	GARY HSIEH 062509		
				appd	JOSEPH HSIA 062509		
sheet index	revision sheet	H	H	H			
		1	2	3			



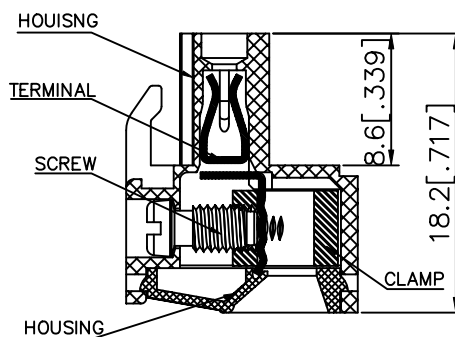
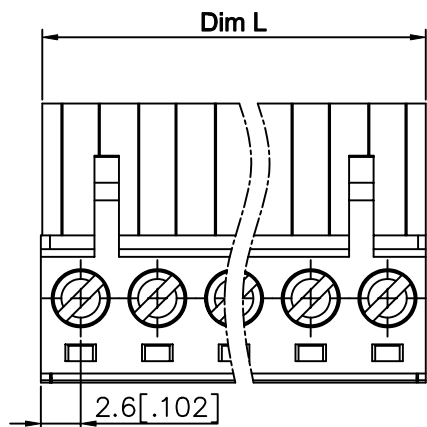
PRODUCT NUMBER	SERIES NAME	PITCH
20020006-GXXXXXLf	01-500	5.00 mm



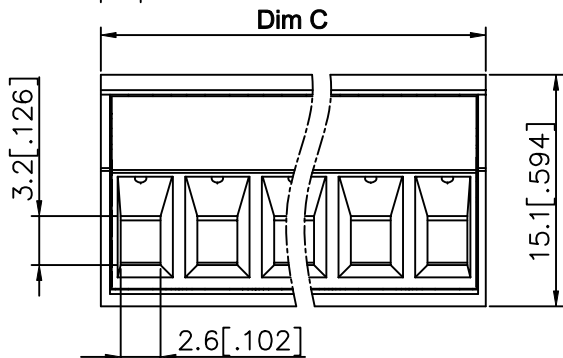
N= NUMBER OF POLES
DIMENSION

Dim L	$N \times 5.0 [.197]$
Bim B	$(N-1) \times 5.0 [.197]$
Dim C	$N \times 5.0 [.197] + 0.10 [.004]$

Poles	Tolerance
2P-5P	$\pm 0.15 [.006]$
6P-10P	$\pm 0.20 [.008]$
11P-15P	$\pm 0.25 [.010]$
16P-20P	$\pm 0.30 [.012]$
21P-24P	$\pm 0.40 [.016]$



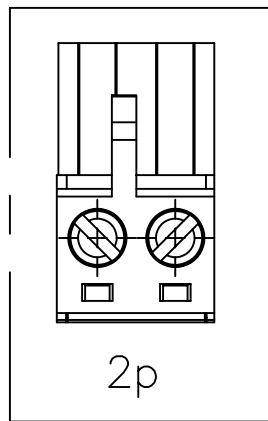
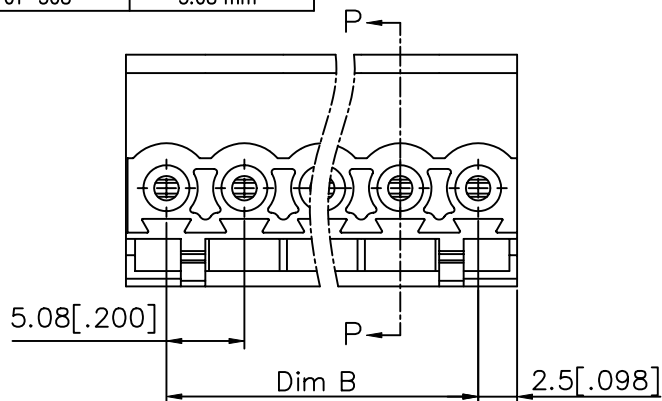
SECTION P-P



mat'l. code		surface ASME Y14.5	tolerance ASME Y14.5	projection 	product family TERMINAL BLOCK	
ltr	ecn no	dr	date	title		
tolerances unless otherwise specified				MM [INCH]	TERMINAL BLOCK PLUGGABLE PLUG, CONTACT UP SIDE	
angles		$X \pm 0.5 [.020]$ $X.X \pm 0.3 [.012]$ $X \pm 1'$ $X.XX \pm 0.1 [.004]$				
dr		BEER FU	062509	scale	dwg no	
enr		BEER FU	062509		sheet 2 of 3	
chr		GARY HSIEH	062509		20020006	A4
appd		JOSEPH HSIA	062509		type	CUSTOMER Drawing
sheet index	revision sheet					

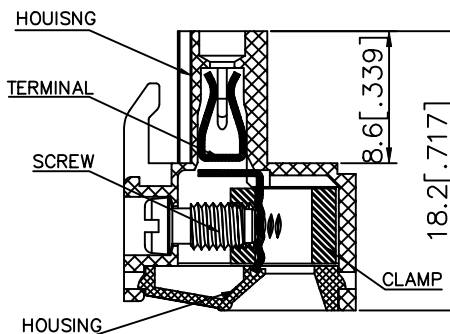
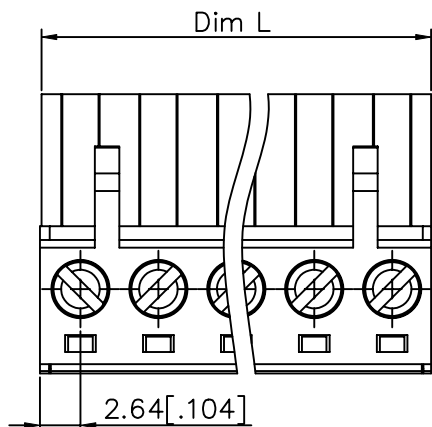


PRODUCT NUMBER	SERIES NAME	PITCH
20020006-HXXXXXLF	01-508	5.08 mm



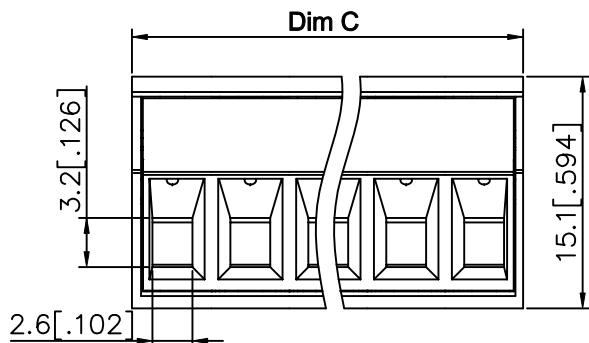
N= NUMBER OF POLES
DIMENSION

Dim L	$N \times 5.08 [.200]$
Dim B	$(N-1) \times 5.08 [.200]$
Dim C	$N \times 5.08 [.200] + 0.10 [.004]$



SECTION P-P

Poles	Tolerance
2P-5P	$\pm 0.15 [.006]$
6P-10P	$\pm 0.20 [.008]$
11P-15P	$\pm 0.25 [.010]$
16P-20P	$\pm 0.30 [.012]$
21P-24P	$\pm 0.40 [.016]$



mat'l. code	surface ASME Y14.5	tolerance ASME Y14.5	projection 	product family TERMINAL BLOCK
ltr	ecn no	dr	date	title
H				TERMINAL BLOCK PLUGGABLE PLUG, CONTACT UP SIDE
	angles	neat	scale	dwg no 20020006
	$X \pm 1^\circ$	$X.X \pm 0.1 [.004]$	MM [INCH]	sheet 3 of 3 size A4
	dr	BEER FU	062509	FCI type CUSTOMER Drawing
	enr	BEER FU	062509	
	chr	GARY HSIEH	062509	
	appd	JOSEPH HSIA	062509	
sheet index	revision sheet			