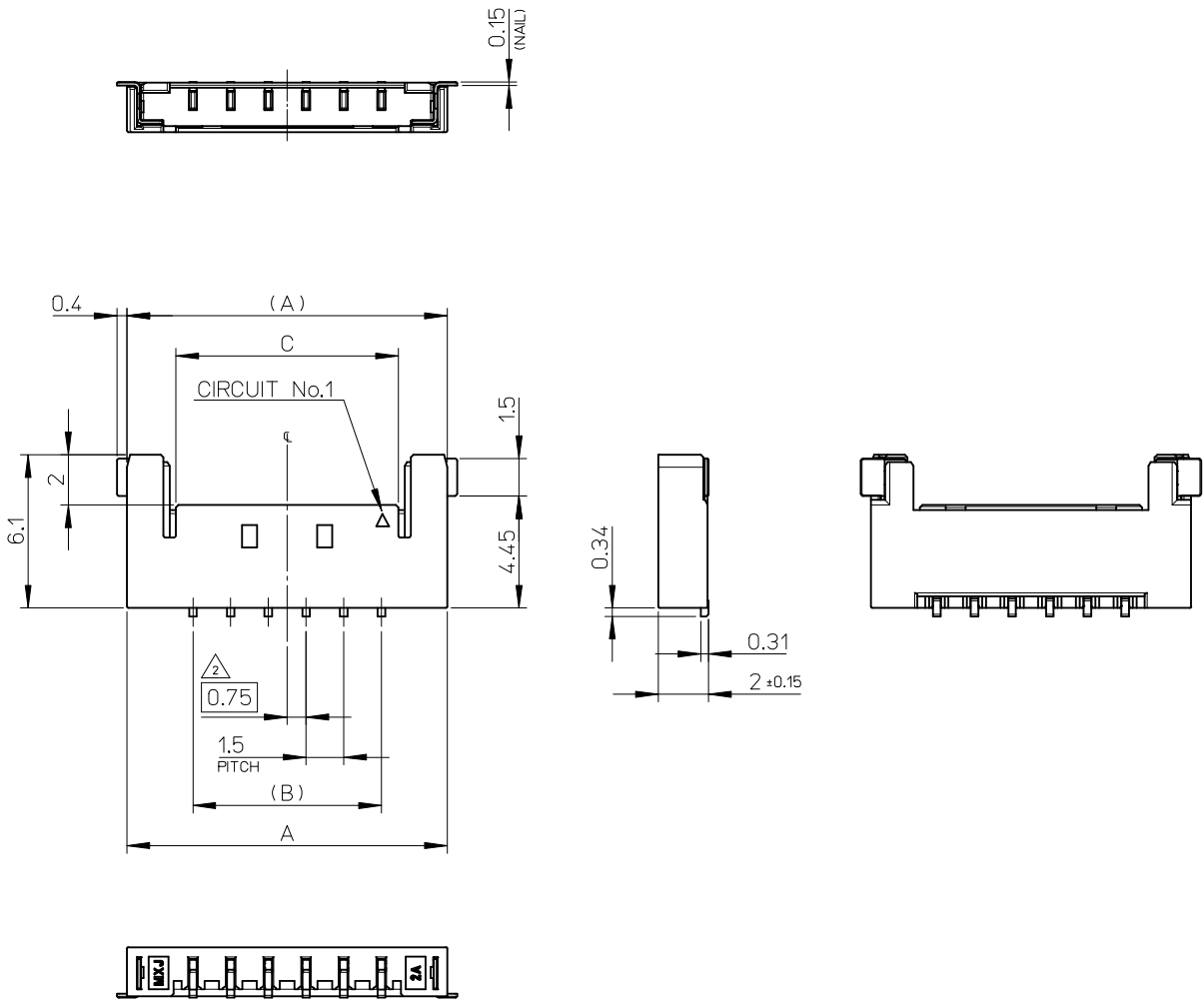


NOTE.
 1. 嵌合相手: 504051****
 MATE WITH: 504051****
 △ 偶数極の製品に適用
 APPLY EVEN CIRCUIT PRODUCTS.
 3. 材質
 MATERIAL
 ハウジング: 耐熱性樹脂 UL94-V0 BLACK
 HOUSING: HEATPROOF RESIN UL94-V0 BLACK
 ターミナル: 銅合金
 TERMINAL: COPPER ALLOY
 ネール: 銅合金
 NAIL: COPPER ALLOY
 4. メッキ
 PLATING
 ターミナル: 下地 ニッケルメッキ、コンタクト・半田付け部 金メッキ
 TERMINAL: UNDER NICKEL PLATING
 CONTACT AND TAIL GOLD PLATING
 ネール: 下地 ニッケルメッキ、鍍メッキ
 NAIL: UNDER NICKEL PLATING, TIN PLATING
 5. ELV及びRoHS適合品
 ELV AND RoHS COMPLIANT.



14.85	13.5	18.75	5040501091	10
11.85	10.5	15.75	5040500891	8
10.35	9.0	14.25	5040500791	7
8.85	7.5	12.75	5040500691	6
5.85	4.5	9.75	5040500491	4
C	B	A	EMBOSSED PACKAGE	CIRCUIT
			ORDER No.	
CONNECTOR SERIES No. : 504050**91				

REVISED EC NO: J2013-1111 DRWN: YMAKE 2013/04/23 CHKD: APPR: NUKITA 2013/05/21	GENERAL TOLERANCES (UNLESS SPECIFIED)		DIMENSION STYLE MM ONLY		SCALE 5:1	DESIGN UNITS METRIC	THIRD ANGLE PROJECTION
	10 UNDER	± 0.2	DRAWN BY THANYU	DATE 2012/03/29	TITLE 1.5 WIRE TO BOARD CONN. R/A H=2MM HEADER ASS'Y molex DOCUMENT NO. SD-504050-001 SHEET NO. 1 OF 2		
	10 OVER 30 UNDER	± 0.25	CHECKED BY KASAKAWA	DATE 2012/03/29			
	30 OVER	± 0.3	APPROVED BY Y0110	DATE 2012/04/18			
	ANGULAR ±3 °		MATERIAL NO. SEE CHART				
DRAFT WHERE APPLICABLE MUST REMAIN WITHIN DIMENSIONS		SIZE A3					

10 9 8 7 6 5 4 3 2 1

F

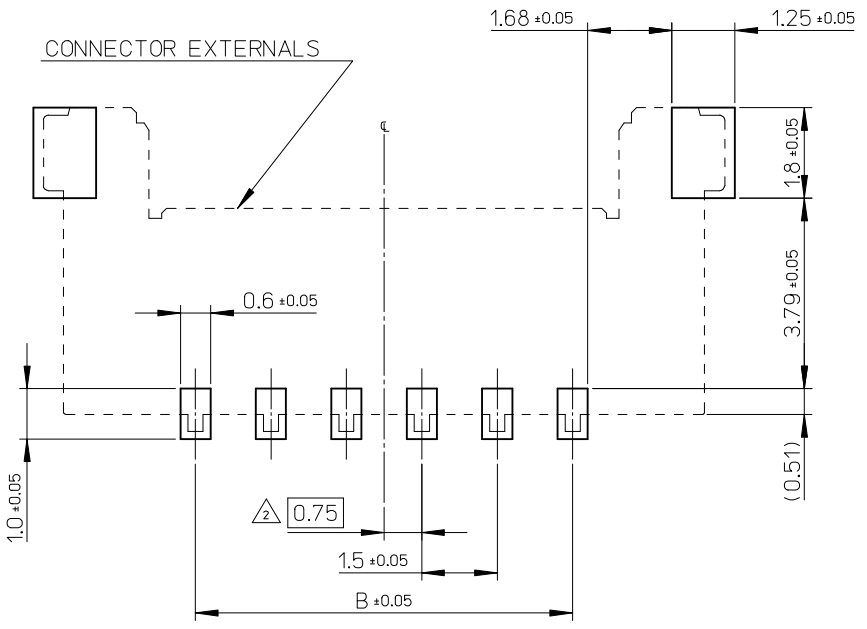
E

D

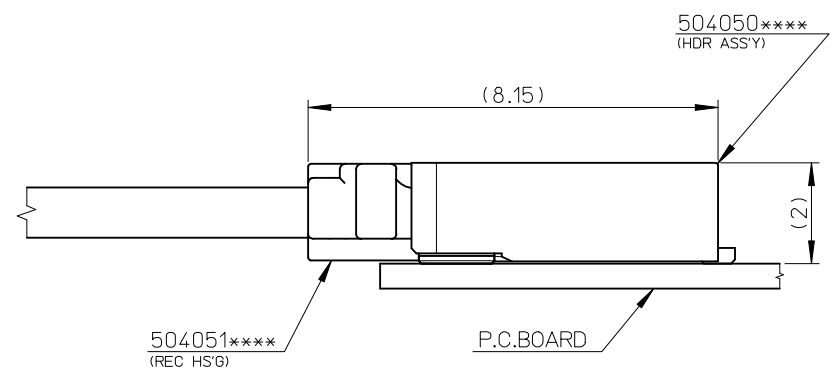
C

B

A



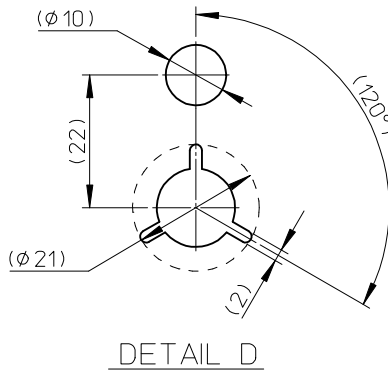
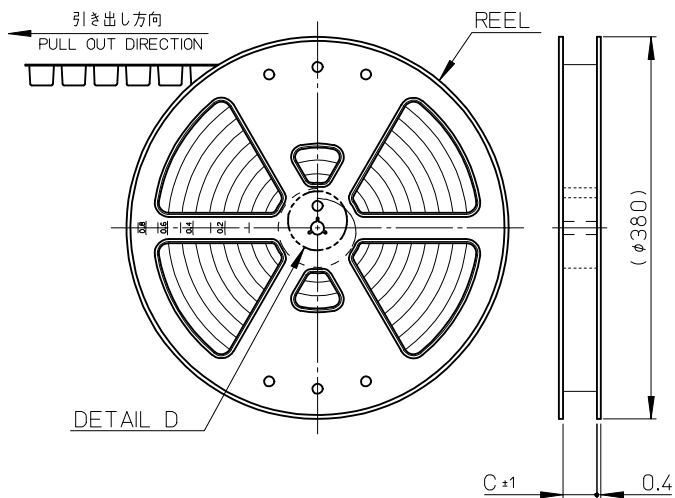
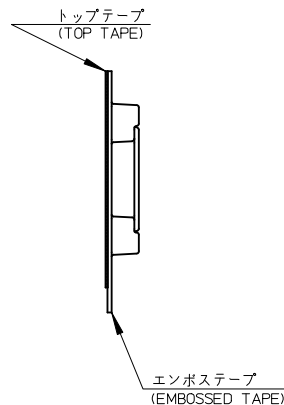
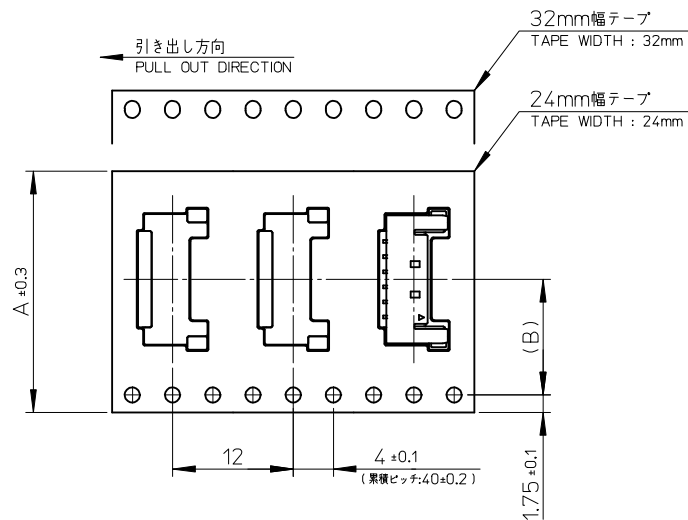
RECOMMENDED PATTERN LAYOUT (REF.)



MATED CONNECTORS

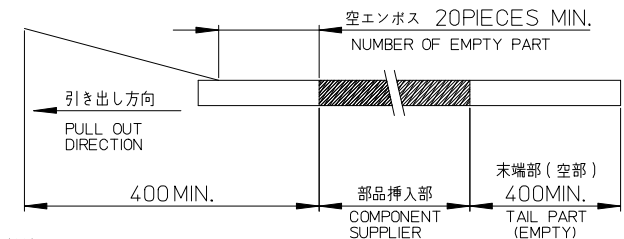
REVISED EC NO: J2013-1111 DRWN: YMAKE CHKD: APPR: NUKITA	2013/04/23	2013/05/21	GENERAL TOLERANCES (UNLESS SPECIFIED)		DIMENSION STYLE MM ONLY	SCALE 10:1	DESIGN UNITS METRIC	THIRD ANGLE PROJECTION	
	DESCRIPTION		10 UNDER	± 0.2	DRAWN BY THANYU	DATE 2012/03/29	TITLE 1.5 WIRE TO BOARD CONN. R/A H=2MM HEADER ASS'Y		
			10 OVER 30 UNDER	± 0.25	CHECKED BY KASAKAWA	DATE 2012/03/29			
			30 OVER	± 0.3	APPROVED BY YOITO	DATE 2012/04/18			
		ANGULAR	± 3 °	MATERIAL NO. SEE CHART		DOCUMENT NO. SD-504050-001	SHEET NO. 2 OF 2		
		DRAFT WHERE APPLICABLE MUST REMAIN WITHIN DIMENSIONS		THIS DRAWING CONTAINS INFORMATION THAT IS PROPRIETARY TO MOLEX INCORPORATED AND SHOULD NOT BE USED WITHOUT WRITTEN PERMISSION					

9 8 7 6 5 4 3 2



NOTE

1. 梱包数量: 2700個 / リール
NUMBER OF CONNECTORS : 2700 PIECES/REEL
2. リードテープ長さ
LEAD TAPE LENGTH



3. 材料
MATERIALS
キャリアテープ: ポリスチレン
CARRIER TAPE : POLYSTYRENE
トップテープ: ポリエステル, ポリエチレン, ポリエチレンテレフタレート
TOP TAPE : POLYESTER, POLYETHLENE, POLYETHYLENE TEREPHTHALATE
リール: ポリスチレン (リサイクル材を含む)
REEL : POLYSTYRENE (RECYCLE MATERIAL CONTAINED)
4. 製品詳細寸法については、RSD-504050-001を参照して下さい。
PLEASE REFER TO RSD-504050-001 FOR THE DETAILED DIMENSION OF THE CONNECTOR.
5. ELV及びRoHS適合品
ELV AND RoHS COMPLIANT.
6. トップテープの剥離強度については、IEC60286-3に準拠の事。
TOP TAPE PEEL FORCE IS DEFINED BY IEC60286-3.

33.5	14.2	32	5040501091	10
33.5	14.2	32	5040500891	8
25.5	11.5	24	5040500791	7
25.5	11.5	24	5040500691	6
25.5	11.5	24	5040500491	4
C	B	A WIDTH OF TAPE	ORDER No.	CIRCUIT

REVISED EC NO: J2013-1111 DRWN:YMAKE CHKD: APPR:NIKITA	2013/04/23 2013/05/21	GENERAL TOLERANCES (UNLESS SPECIFIED)		DIMENSION STYLE MM ONLY		SCALE 5:1	DESIGN UNITS METRIC	THIRD ANGLE PROJECTION	
		10 UNDER	±0.2	DRAWN BY THANYU	DATE 2012/03/29	TITLE EMBOSSED TAPE PACKAGE FOR 504050-**** (1.5 W/B CONN. H=2MM) molex DOCUMENT NO. SD-504050-002 SHEET NO. 1 OF 1			
		10 OVER 30 UNDER	±0.25	CHECKED BY KASAKAWA	DATE 2012/03/29				
		30 OVER	±0.3	APPROVED BY YOITO	DATE 2012/04/18				
ANGULAR ±3 °		MATERIAL NO. SEE CHART							
DRAFT WHERE APPLICABLE MUST REMAIN WITHIN DIMENSIONS		SIZE A3		THIS DRAWING CONTAINS INFORMATION THAT IS PROPRIETARY TO MOLEX INCORPORATED AND SHOULD NOT BE USED WITHOUT WRITTEN PERMISSION					