

MATERIALS AND FINISHES

BODY SEE TABLE  
PLATED SEE TABLE

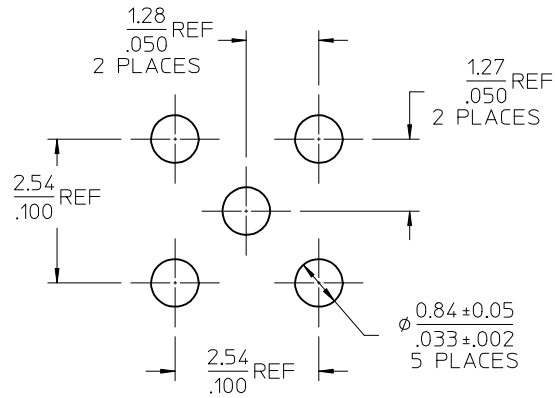
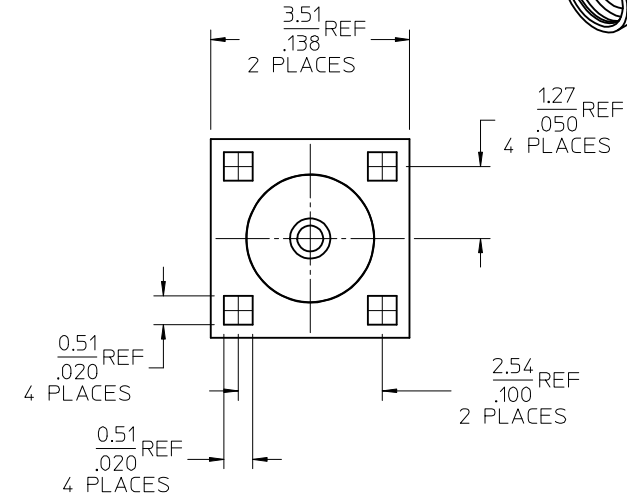
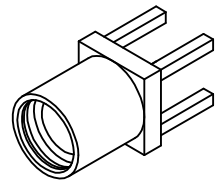
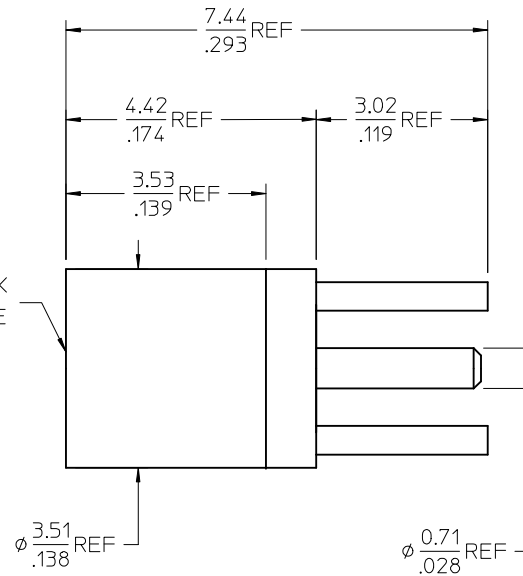
CENTER CONTACT BERYLLIUM COPPER  
PLATED GOLD

INSULATOR TEFLON / WHITE

NOTE  
PART # 73415-1473 IS

**(NON-MAGNETIC)**

MMCX JACK  
INTERFACE



RECOMMENDED PCB LAYOUT

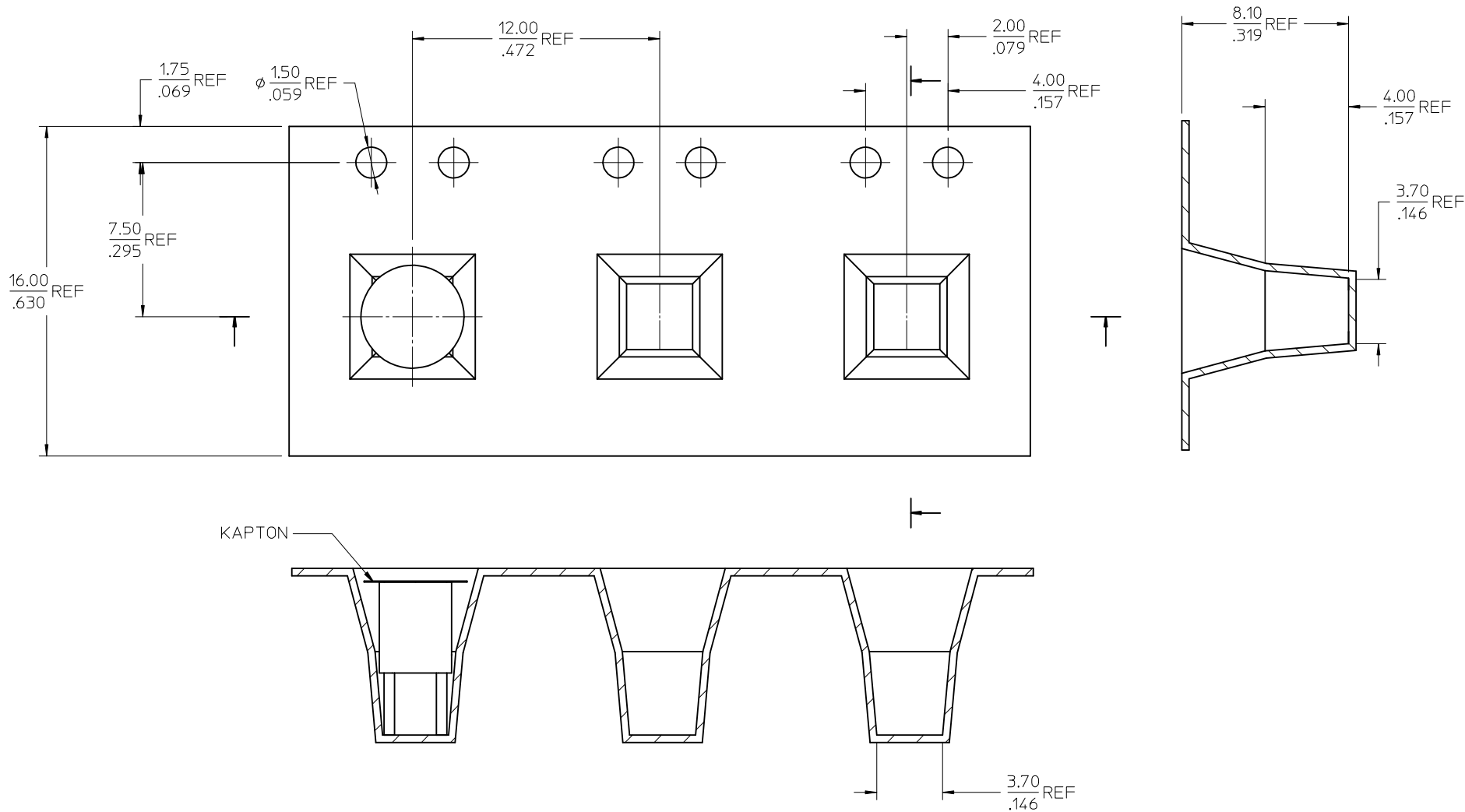
73415-1475	P/N 73415-1471 WITH TAPE AND REEL	BRASS/GOLD(PER COMMERCIAL REQUIREMENT)
73415-1474	TRAY	BRASS/GOLD(PER COMMERCIAL REQUIREMENT)
73415-1473	BULK	BeCu/GOLD (NON MAGNETIC)
73415-1472	P/N 73415-1471, ONE PER BAG	BRASS/GOLD(PER COMMERCIAL REQUIREMENT)
73415-1471	BULK	BRASS/GOLD(PER COMMERCIAL REQUIREMENT)
73415-1470	BULK	BRASS/GOLD(PER MILITARY REQUIREMENT)
ES-73599-0000-016	INTERFACE	
PS-89675-1910	ELECTRO/MECH PER.	
	PART NO.	
	DESCRIPTION	

CHG: ADDED PTFEFLON COLOR WHITE EC NO: URF2010-0165 2009/09/30 DRWN: YCHENG 2009/10/01 CHKD: 2009/10/01 APPR: M HUANG 2009/10/01	QUALITY SYMBOLS ▽=0 ▽=0	GENERAL TOLERANCES (UNLESS SPECIFIED)		DIMENSION STYLE MM/IN	SCALE	DESIGN UNITS METRIC	THIRD ANGLE PROJECTION
		4 PLACES ± --- ± --- 3 PLACES ± --- ± --- 2 PLACES ± --- ± --- 1 PLACE ± --- ± ---	m INCH ± --- ± --- ± --- ± --- ± --- ± ---	DRAWN BY TEF DATE 2000/01/14	TITLE MMCX JACK, PCB MOUNT 50 OHMS MMCX-J/PCB		
		ANGULAR ± 2 °		CHECKED BY TEF DATE 2000/01/14	APPROVED BY GMH DATE 2000/01/14		
		DRAFT WHERE APPLICABLE MUST REMAIN WITHIN DIMENSIONS		MATERIAL NO. SEE TABLE	DOCUMENT NO. SD-73415-147		

THIS DRAWING CONTAINS INFORMATION THAT IS PROPRIETARY TO MOLEX.  
INCORPORATED AND SHOULD NOT BE USED WITHOUT WRITTEN PERMISSION

NOTE

DIMENSIONS ARE PROVIDED FOR REFERENCE ONLY



KAPTON

CHG: SEE SHEET 1

EC NO: URF2010-0165  
 2009/09/30  
 DRWN: YCHENG  
 2009/10/01  
 CHKD: YCHENG  
 2009/10/01  
 APPR: M HUANG  
 2009/10/01

DESCRIPTION  
 REV: B7

QUALITY SYMBOLS

▽=0

▽=0

GENERAL TOLERANCES (UNLESS SPECIFIED)

	mm	INCH
4 PLACES	± .15	± .005
3 PLACES	± .20	± .008
2 PLACES	± .30	± .012
1 PLACE	± .40	± .016

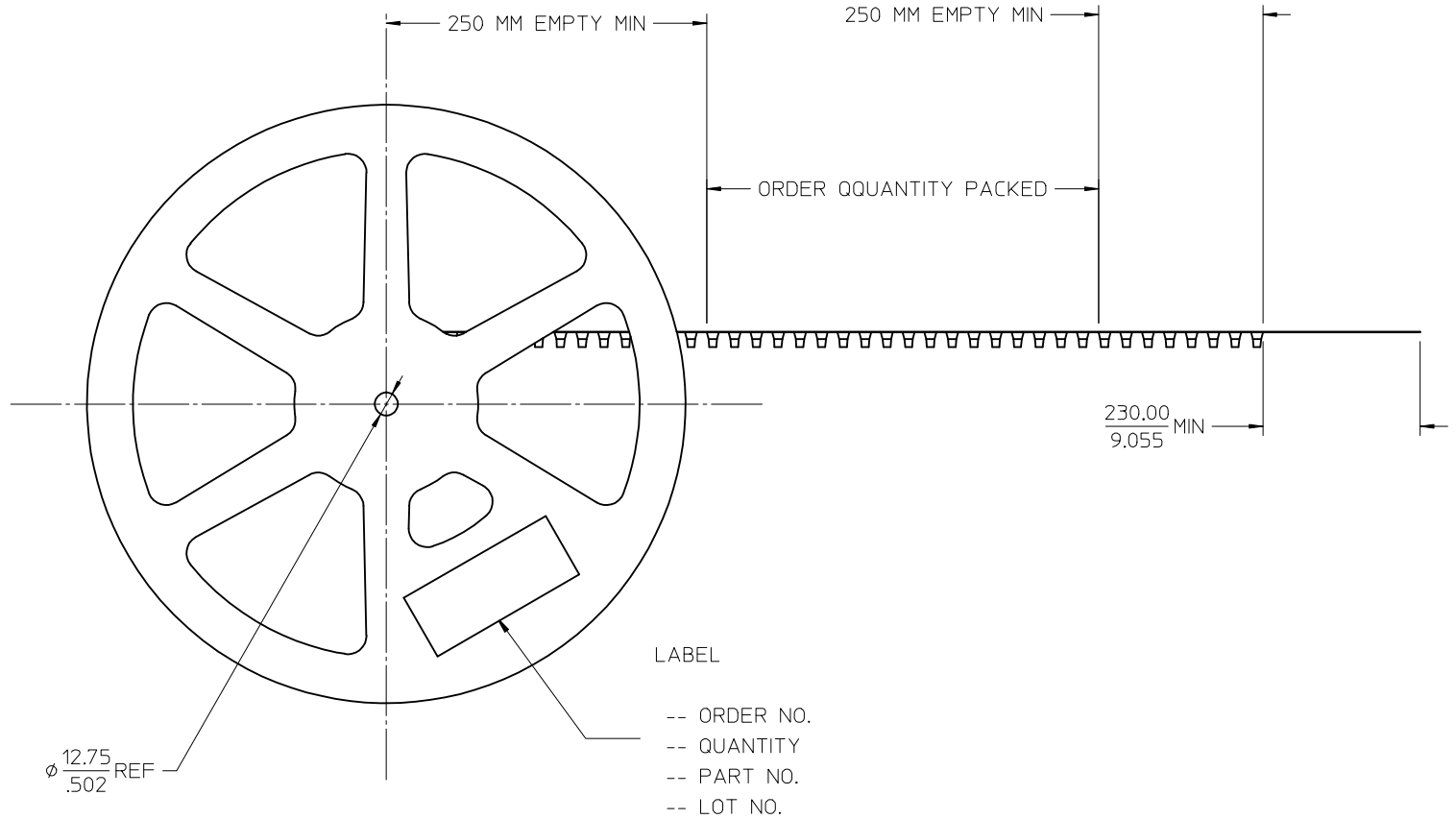
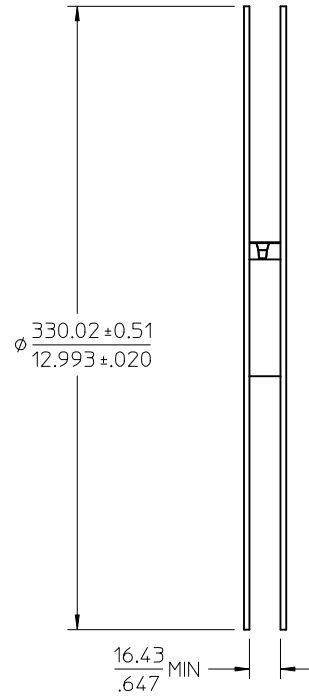
ANGULAR ± 2 °

DRAFT WHERE APPLICABLE  
 MUST REMAIN WITHIN DIMENSIONS

DIMENSION STYLE		SCALE	
MM/IN		METRIC	
DRAWN BY	DATE	TITLE	
TEF	2000/01/14	MMCX JACK, PCB MOUNT	
CHECKED BY	DATE	50 OHMS	
TEF	2000/01/14	MMCX-J/PCB	
APPROVED BY	DATE		
GMH	2000/01/14		
MATERIAL NO.	DOCUMENT NO.		
SEE TABLE	SD-73415-147		
SIZE			
C			

THIRD ANGLE PROJECTION	
MOLEX INCORPORATED	SHEET NO. 2 OF 3
THIS DRAWING CONTAINS INFORMATION THAT IS PROPRIETARY TO MOLEX INCORPORATED AND SHOULD NOT BE USED WITHOUT WRITTEN PERMISSION	

13" REEL SIZE



CHG: SEE SHEET 1  
 EC NO: URF2010-0165  
 DRWN: YCHENG  
 CHKD: 2009/10/01  
 APPR: M HUANG  
 2009/09/30  
 2009/10/01  
 2009/10/01

REV	DESCRIPTION
B7	

QUALITY SYMBOLS	
	=0
	=0

GENERAL TOLERANCES (UNLESS SPECIFIED)	
4 PLACES	$\pm$ ---
3 PLACES	$\pm$ ---
2 PLACES	$\pm$ ---
1 PLACE	$\pm$ ---

DIMENSION STYLE		SCALE	DESIGN UNITS	THIRD ANGLE PROJECTION
MM/IN			METRIC	
DRAWN BY	DATE	TITLE		
TEF	2000/01/14	MMCX JACK, PCB MOUNT		
CHECKED BY	DATE	50 OHMS		
TEF	2000/01/14	MMCX-J/PCB		
APPROVED BY	DATE	MOLEX INCORPORATED		
GMH	2000/01/14	MOLEX		
MATERIAL NO.	DOCUMENT NO.	SHEET NO.		
SEE TABLE	SD-73415-147	3 OF 3		

DRAFT WHERE APPLICABLE MUST REMAIN WITHIN DIMENSIONS

SEE TABLE

THIS DRAWING CONTAINS INFORMATION THAT IS PROPRIETARY TO MOLEX INCORPORATED AND SHOULD NOT BE USED WITHOUT WRITTEN PERMISSION