

EN - For pricing and availability in your local country please visit one of the below links:

DE - Informationen zu Preisen und Verfügbarkeit in Ihrem Land erhalten Sie über die unten aufgeführten Links:

FR - Pour connaître les tarifs et la disponibilité dans votre pays, cliquez sur l'un des liens suivants:

[ABI-009-RC](#)

[ABI-009-RC](#)

[ABI-010-RC](#)

[ABI-017-RC](#)

[ABI-041-RC](#)

[ABI-018-RC](#)

[ABI-028-12-RC](#)

[ABI-052-RC](#)

[ABI-057-RC](#)

[ABI-010-RC](#)

EN

This Datasheet is presented by
the manufacturer

DE

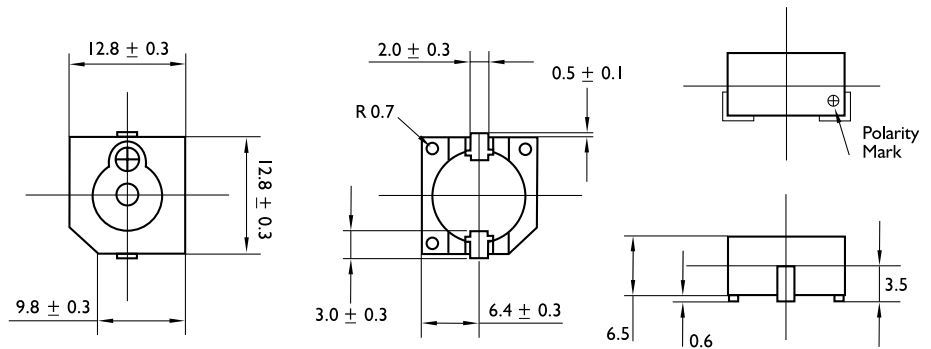
Dieses Datenblatt wird vom
Hersteller bereitgestellt

FR

Cette fiche technique est
présentée par le fabricant

DC Devices (with internal drive circuits)

Surface Mount Type



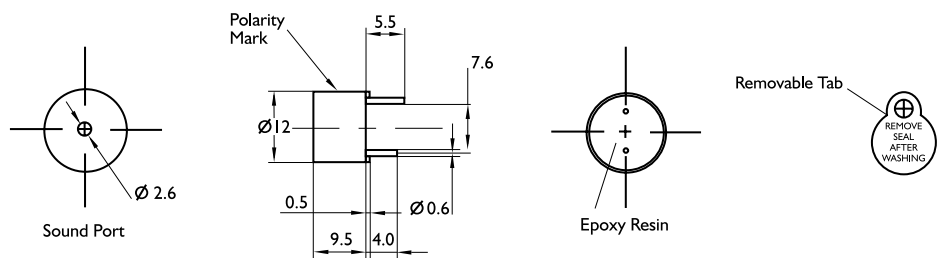
Dimensions : Millimetres
Tolerance: ± 0.5 mm

Specifications

Part Number	ABI-017-RC	ABI-018-RC
Rated Voltage	5V DC	12V DC
Operating Voltage	4 ~ 7VDC	8 ~ 15V DC
Rated Current	≤ 30 mA	≤ 30 mA
Sound Output level @ 20cm	≥ 88 dB	≥ 85 dB
Resonant Frequency	2400Hz ± 400 Hz	
Tone	Continuous	
Housing Material	PPS	
Operating Temperature	-20°C to $+70^{\circ}\text{C}$	
Storage Temperature	-30°C to $+80^{\circ}\text{C}$	
Weight	2g	

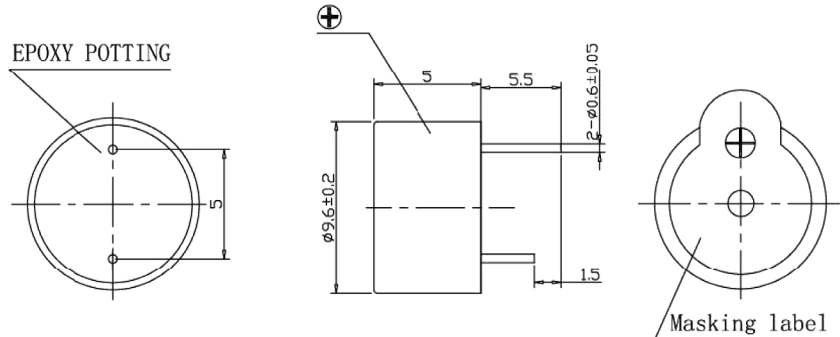
Through Hole Type

ABI-009-RC & ABI-010-RC

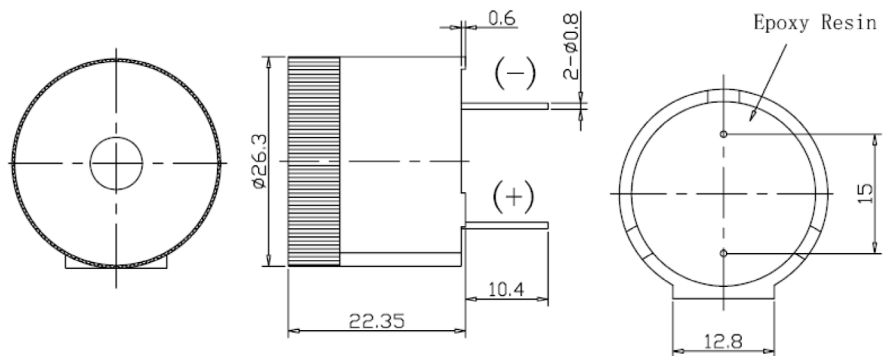


Dimensions : Millimetres
Tolerance: ± 0.5 mm

ABI-057-RC



ABI-052-RC

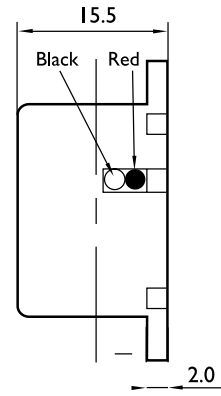
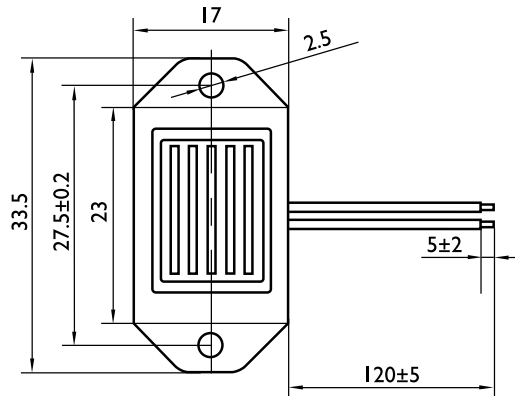


Dimensions : Millimetres
Tolerance: ±0.5mm

Specifications

Part Number	ABI-009-RC	ABI-010-RC	ABI-052-RC	ABI-057-RC
Rated Voltage	6V DC	12V DC	12V DC	5V DC
Operating Voltage	4 ~ 8V DC	8 ~ 16V DC	5 ~ 18V DC	3 ~ 7V DC
Rated Current	≤ 30mA	≤ 30mA	≤ 50mA	≤ 25mA
Sound Output level @ 10cm	≥ 85dB		≥ 100dB	≥ 80dB
Resonant Frequency	2300Hz ±300Hz		2800Hz ±500Hz	2730Hz ±300Hz
Tone	Continuous			
Housing Material	Black Noryl		Grey Noryl	Black PBT
Operating Temperature	-25°C to +80°C	-20°C to +70°C	-30°C to +70°C	-20°C to +80°C
Storage Temperature	-30°C to +85°C	-30°C to +80°C	-40°C to +85°C	-30°C to +85°C
Pin Pitch	7.6mm	7.6mm	15mm	5mm
Weight	2g	2g	12g	1g

Flange Mount - Wire Lead Type



Dimensions : Millimetres
Tolerance: ±0.5mm

Part Number	ABI-041-RC	ABI-028-12-RC
Rated Voltage	6V DC	12V DC
Operating Voltage	4 ~ 8VDC	9 ~ 15VDC
Rated Current	≤ 25mA	
Sound Output level @20cm	≥ 75dB	
Resonant Frequency	400Hz ±100Hz	
Tone	Continuous	
Housing Material	Black ABS	
Operating Temperature	-10°C to +60°C	
Storage Temperature	-30°C to +70°C	
Lead Wire	UL1095 AWG26	
Lead Length	120mm	
Weight	10g	

Important Notice : This data sheet and its contents (the "Information") belong to the members of the AVNET group of companies (the "Group") or are licensed to it. No licence is granted for the use of it other than for information purposes in connection with the products to which it relates. No licence of any intellectual property rights is granted. The Information is subject to change without notice and replaces all data sheets previously supplied. The Information supplied is believed to be accurate but the Group assumes no responsibility for its accuracy or completeness, any error in or omission from it or for any use made of it. Users of this data sheet should check for themselves the Information and the suitability of the products for their purpose and not make any assumptions based on information included or omitted. Liability for loss or damage resulting from any reliance on the Information or use of it (including liability resulting from negligence or where the Group was aware of the possibility of such loss or damage arising) is excluded. This will not operate to limit or restrict the Group's liability for death or personal injury resulting from its negligence. Multicomp Pro is the registered trademark of Premier Farnell Limited 2019.

[ABI-017-RC](#)

[ABI-018-RC](#)

EN - For pricing and availability in your local country please visit one of the below links:

DE - Informationen zu Preisen und Verfügbarkeit in Ihrem Land erhalten Sie über die unten aufgeführten Links:

FR - Pour connaître les tarifs et la disponibilité dans votre pays, cliquez sur l'un des liens suivants:

[ABI-009-RC](#)

[ABI-009-RC](#)

[ABI-010-RC](#)

[ABI-017-RC](#)

[ABI-041-RC](#)

[ABI-018-RC](#)

[ABI-028-12-RC](#)

[ABI-052-RC](#)

[ABI-057-RC](#)

[ABI-010-RC](#)

EN

This Datasheet is presented by
the manufacturer

DE

Dieses Datenblatt wird vom
Hersteller bereitgestellt

FR

Cette fiche technique est
présentée par le fabricant