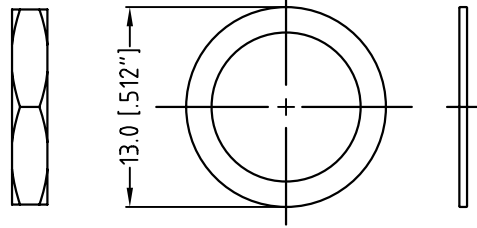
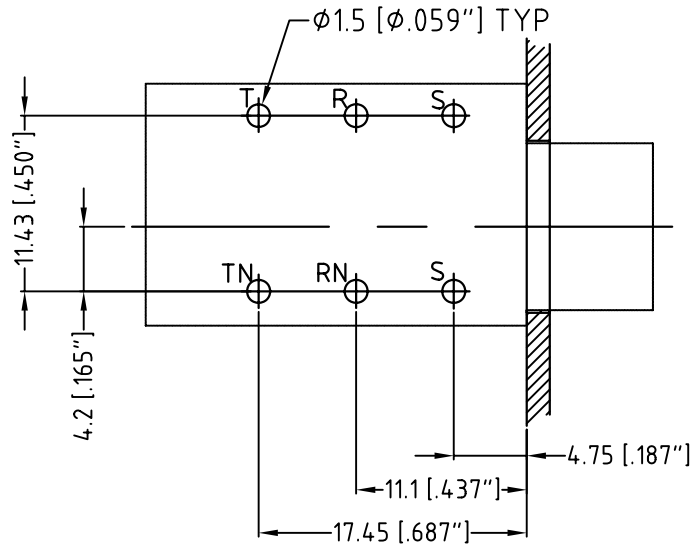
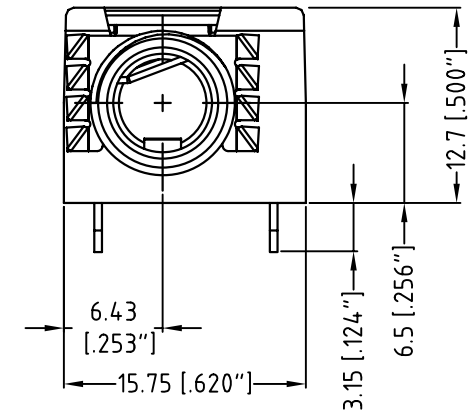
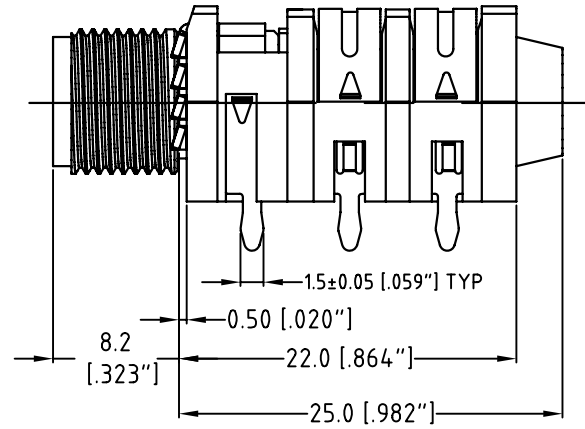


**METAL NUT**



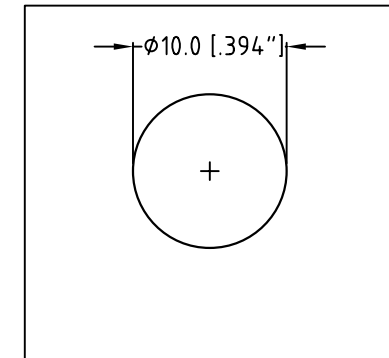
**METAL WASHER**



**RECOMMENDED PCB - LAYOUT**

TOLERANCE: ±0.05mm [0.002"]

| PART NO.  | ACJM-MHOM | ACJS-MHOM |
|-----------|-----------|-----------|
| SCHEMATIC |           |           |



**PANEL CUTOUT**

| UNLESS OTHERWISE SPECIFIED TOLERANCE TO BE |              | THIS DOCUMENT IS THE PROPERTY OF AMPHENOL AUSTRALIA PTY. LTD.. NO PART THEREOF MAY BE REPRODUCED AND USED WITHOUT THE PRIOR WRITTEN CONSENT OF THE OWNER |                   |                |   |
|--|--------------|--|-------------------|----------------|---|
| LINEAR                                     | ANGULAR      | CAD FILE:  | DRN:              | DATE:          | TITLE:                                  |
| X ± 0.5                                    | X° ± 1°      | 55010411000111   | M.N.H             | 06-02-07       | 1/4" PHONE OFFSET JACK CUSTOMER DRAWING |
| X.X ± 0.2                                  | X°X' ± 30'   | MATL: SEE NOTES  | CKD: M.H.         | DATE: 10-02-10 | DRAWING NO. 55010411-000-1              |
| X.XX ± 0.1                                 | X°X'X" ± 15" | DO NOT SCALE   | FINISH: SEE NOTES | DATE: 10-02-10 |   |
| DIMENSIONS IN MILLIMETRES                  |              | THIRD ANGLE PROJECTION   |                   | SCALE: 1:1     | PART No: REFER TO SCHEMATIC             |

| REV. | DESCRIPTION                            | BY    | DATE     | CHG/No |
|------|--|-------|----------|--------|
| 1    | UPDATE DRAWING TO MEET PRODUCTION PART | MH    | 10-02-10 | ----   |
| 0    | FIRST ISSUE                            | M.N.H | 06-02-07 | ----   |

**Amphenol**  
 Amphenol Australia Pty.Ltd, 2 Freeways Blvd, Keysborough, Vic.3173  
 DRAWING NO. 55010411-000-1  
 SHEET 1 OF 1

# Mouser Electronics

Authorized Distributor

Click to View Pricing, Inventory, Delivery & Lifecycle Information:

[Amphenol:](#)

[ACJM-MHOM](#) [ACJS-MHOM](#)