

Bluetooth® SPP Module BT401 Series

■ Outline

The BT401 Series Bluetooth® module makes it easy to connect devices wirelessly instead of by serial cable.

■ Features

1. This module has an integrated antenna and complies with the Bluetooth® standard.
2. SPP is combined in this module as a standard item.
3. The module has acquired Bluetooth® SIG certification and radio law certifications in Japan, U.S., Canada, and Europe.
4. Supports iAP (iPhone / iPod Accessory Protocol) which realizes connection with iOS equipment.

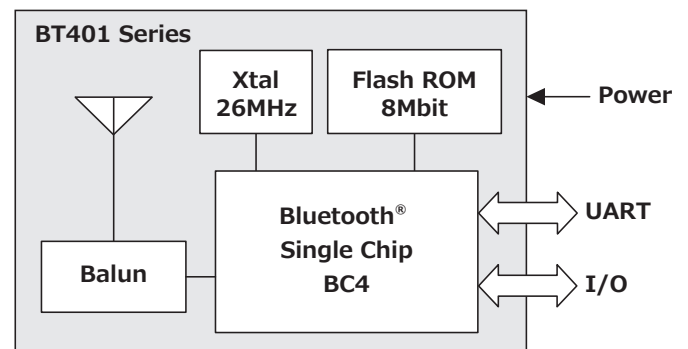
※If you select BT401-AP2 with iAP programmed, you must be a member of the Apple Inc.® the MFi license program.



■ Specification

Bluetooth® Specification	Version 3.0
Power Class	Class2
Profile	GAP、SPP
Bluetooth QDID	B020927
Upper Interface	UART (115.2kbps)
Supply Voltage	DC2.7 to 3.6V
Dimension	25mm(W)×11mm(D)×2.3mm(H)
Operating Temperature Range	-40℃ to +85℃
Radio Law Certification	Japan、FCC、IC、CE Marking

■ Block Diagram



■ Application

- Printers, hand-held terminals, barcode readers, and other automatic recognition devices
- Measuring instruments, sensor devices, control units, and other industrial equipment
- Blood pressure monitors, heart rate monitors, and other health-care equipment

■ Evaluation Kit (BT401K)

An evaluation kit is available to evaluate the BT401 Series modules manufactured by SMK. It can be used to perform simple communication testing and operation checks such as checking settings.

<Contents of evaluation kit>

- Evaluation board (BE006) : Bluetooth® module evaluation board
- BT401E/BT401-AP2E : BT401 used for evaluation /BT401-AP2
- Support disk : Document and software CD-ROM
- Sample module : BT401/BT401-AP2

※ After July 1, 2020, Bluetooth® Specification Version 3.0 will be withdrawn.

Since then, please note that you can not register QD - EPL (Qualified Design - End Product Listing) using this module at all. FYI, products that were registered before withdrawal can be sold continuously even after withdrawal.

※ The Bluetooth® word mark and logos are registered trademarks owned by Bluetooth® SIG, Inc. and any use of such marks by SMK is under license.

The trademark iOS is used based on a license from Cisco, U.S.A.