

# BTN8982TA

High Current PN Half Bridge  
NovalithIC™

## Data Sheet

Rev. 1.0, 2013-05-17

Automotive Power

## Table of Contents

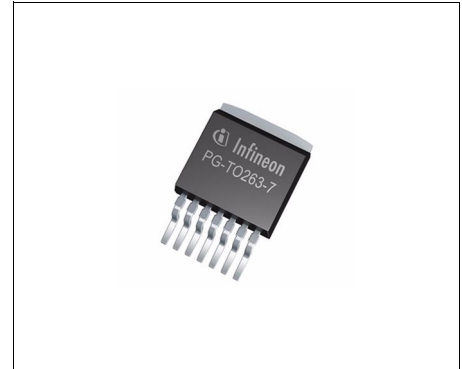
<b>1</b>	<b>Overview</b> .....	<b>3</b>
<b>2</b>	<b>Block Diagram</b> .....	<b>4</b>
2.1	Block Diagram .....	4
2.2	Terms .....	4
<b>3</b>	<b>Pin Configuration</b> .....	<b>5</b>
3.1	Pin Assignment .....	5
3.2	Pin Definitions and Functions .....	5
<b>4</b>	<b>General Product Characteristics</b> .....	<b>6</b>
4.1	Absolute Maximum Ratings .....	6
4.2	Functional Range .....	7
4.3	Thermal Resistance .....	8
<b>5</b>	<b>Block Description and Characteristics</b> .....	<b>9</b>
5.1	Supply Characteristics .....	9
5.2	Power Stages .....	10
5.2.1	Power Stages - Static Characteristics .....	11
5.2.2	Switching Times .....	12
5.2.3	Power Stages - Dynamic Characteristics .....	13
5.3	Protection Functions .....	14
5.3.1	Undervoltage Shut Down .....	14
5.3.2	Overtemperature Protection .....	14
5.3.3	Current Limitation .....	14
5.3.4	Short Circuit Protection .....	16
5.3.5	Electrical Characteristics - Protection Functions .....	16
5.4	Control and Diagnostics .....	17
5.4.1	Input Circuit .....	17
5.4.2	Dead Time Generation .....	17
5.4.3	Adjustable Slew Rate .....	17
5.4.4	Status Flag Diagnosis with Current Sense Capability .....	17
5.4.5	Truth Table .....	19
5.4.6	Electrical Characteristics - Control and Diagnostics .....	20
<b>6</b>	<b>Application Information</b> .....	<b>22</b>
6.1	Application Circuit .....	22
6.2	Layout Considerations .....	22
6.3	PWM Control .....	23
<b>7</b>	<b>Package Outlines</b> .....	<b>24</b>
<b>8</b>	<b>Revision History</b> .....	<b>25</b>



## 1 Overview

### Features

- Path resistance of max. 20.4 mΩ @ 150 °C (typ. 10.0 mΩ @ 25 °C)  
High Side: max. 10.5 mΩ @ 150 °C (typ. 5.3 mΩ @ 25 °C)  
Low Side: max. 9.9 mΩ @ 150 °C (typ. 4.7 mΩ @ 25 °C)
- Enhanced switching speed for reduced switching losses
- Capable for high PWM frequency combined with active freewheeling
- Low quiescent current of typ. 7 μA @ 25 °C
- Switched mode current limitation for reduced power dissipation in overcurrent
- Current limitation level of 55 A min.
- Status flag diagnosis with current sense capability
- Overtemperature shut down with latch behaviour
- Undervoltage shut down
- Driver circuit with logic level inputs
- Adjustable slew rates for optimized EMI
- Operation up to 40V
- Green Product (RoHS compliant)
- AEC Qualified



**PG-TO263-7-1**

### Description

The BTN8982TA is an integrated high current half bridge for motor drive applications. It is part of the NovalithIC™ family containing one p-channel highside MOSFET and one n-channel lowside MOSFET with an integrated driver IC in one package. Due to the p-channel highside switch the need for a charge pump is eliminated thus minimizing EMI. Interfacing to a microcontroller is made easy by the integrated driver IC which features logic level inputs, diagnosis with current sense, slew rate adjustment, dead time generation and protection against overtemperature, undervoltage, overcurrent and short circuit.

The BTN8982TA provides a cost optimized solution for protected high current PWM motor drives with very low board space consumption.

Type	Package	Marking
BTN8982TA	PG-TO263-7-1	BTN8982TA

## 2 Block Diagram

The BTN8982TA is part of the NovalithIC™ family containing three separate chips in one package: One p-channel highside MOSFET and one n-channel lowside MOSFET together with a driver IC, forming an integrated high current half-bridge. All three chips are mounted on one common lead frame, using the chip on chip and chip by chip technology. The power switches utilize vertical MOS technologies to ensure optimum on state resistance. Due to the p-channel highside switch the need for a charge pump is eliminated thus minimizing EMI. Interfacing to a microcontroller is made easy by the integrated driver IC which features logic level inputs, diagnosis with current sense, slew rate adjustment, dead time generation and protection against overtemperature, undervoltage, overcurrent and short circuit. The BTN8982TA can be combined with other BTN8982TA to form H-bridge and 3-phase drive configurations.

### 2.1 Block Diagram



Figure 1 Block Diagram

### 2.2 Terms

Following figure shows the terms used in this data sheet.

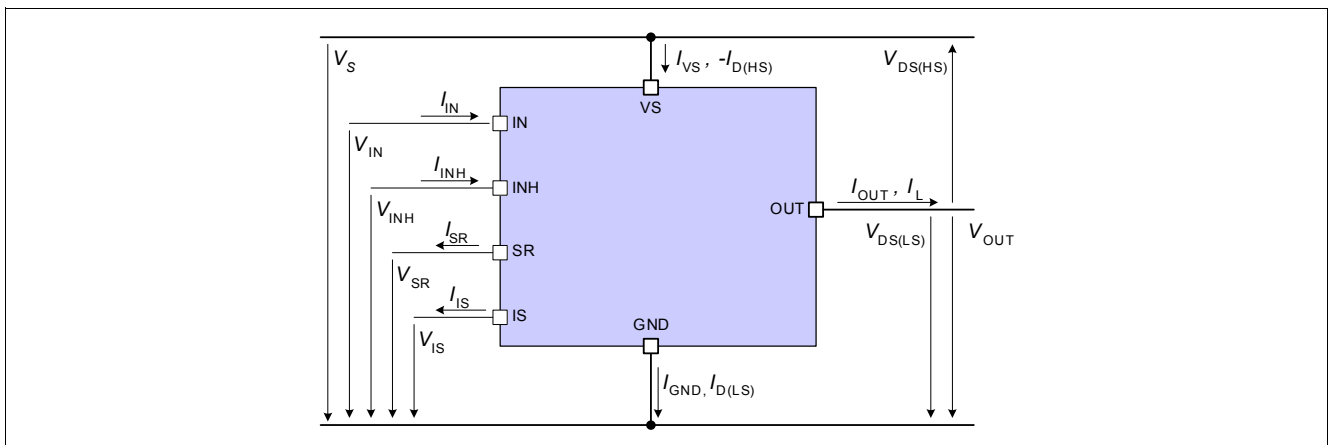


Figure 2 Terms

### 3 Pin Configuration

#### 3.1 Pin Assignment



Figure 3 Pin Assignment BTN8982TA (top view)

#### 3.2 Pin Definitions and Functions

Pin	Symbol	I/O	Function
1	<b>GND</b>	-	<b>Ground</b>
2	IN	I	Input Defines whether high- or lowside switch is activated
3	INH	I	Inhibit When set to low device goes in sleep mode
<b>4,8</b>	<b>OUT</b>	<b>O</b>	<b>Power output of the bridge</b>
5	SR	I	Slew Rate The slew rate of the power switches can be adjusted by connecting a resistor between SR and GND
6	IS	O	Current Sense and Diagnostics
7	<b>VS</b>	-	<b>Supply</b>

**Bold type: pin needs power wiring**

## 4 General Product Characteristics

### 4.1 Absolute Maximum Ratings

#### Absolute Maximum Ratings <sup>1)</sup>

$T_j = -40\text{ °C}$  to  $+150\text{ °C}$ ; all voltages with respect to ground, positive current flowing into pin (unless otherwise specified)

Pos.	Parameter	Symbol	Limit Values		Unit	Conditions
			Min.	Max.		
<b>Voltages</b>						
4.1.1	Supply Voltage	$V_S$	-0.3	40	V	–
4.1.2	Drain-Source Voltage High Side	$V_{DS(HS)}$	-40	–	V	$T_j \geq 25\text{ °C}$
			-38	–	V	$T_j < 25\text{ °C}$
4.1.3	Drain-Source Voltage Low Side	$V_{DS(LS)}$	–	40	V	$T_j \geq 25\text{ °C}$
			–	38	V	$T_j < 25\text{ °C}$
4.1.4	Logic Input Voltage	$V_{IN}$ $V_{INH}$	-0.3	5.3	V	–
4.1.5	Voltage at SR Pin	$V_{SR}$	-0.3	1.0	V	–
4.1.6	Voltage between VS and IS Pin	$V_S - V_{IS}$	-0.3	40	V	–
4.1.7	Voltage at IS Pin	$V_{IS}$	-20	40	V	–
<b>Currents</b>						
4.1.8	HS/LS Continuous Drain Current <sup>2)</sup>	$I_{D(HS)}$ $I_{D(LS)}$	-50	50	A	$T_C < 85\text{ °C}$ switch active
			-44	44	A	$T_C < 125\text{ °C}$ switch active
4.1.9	HS/LS Pulsed Drain Current <sup>2)</sup>	$I_{D(HS)}$ $I_{D(LS)}$	-117 -104	117 104	A	$t_{pulse} = 10\text{ms}$ single pulse $T_C < 85\text{ °C}$ $T_C < 125\text{ °C}$
4.1.10	HS/LS PWM Current <sup>2)</sup>	$I_{D(HS)}$ $I_{D(LS)}$	-68 -60	68 60	A	$f = 1\text{kHz}$ , DC = 50% $T_C < 85\text{ °C}$ $T_C < 125\text{ °C}$
			-70 -62	70 62	A	$f = 20\text{kHz}$ , DC = 50% $T_C < 85\text{ °C}$ $T_C < 125\text{ °C}$
<b>Temperatures</b>						
4.1.11	Junction Temperature	$T_j$	-40	150	°C	–
4.1.12	Storage Temperature	$T_{stg}$	-55	150	°C	–
<b>ESD Susceptibility</b>						
4.1.13	ESD Resistivity HBM IN, INH, SR, IS OUT, GND, VS	$V_{ESD}$	-2 -6	2 6	kV	HBM <sup>3)</sup>

1) Not subject to production test, specified by design

2) Maximum reachable current may be smaller depending on current limitation level

3) ESD susceptibility, HBM according to ANSI/ESDA/JEDEC JS-001 (1,5kΩ, 100pF)

Note: Stresses above the ones listed here may cause permanent damage to the device. Exposure to absolute maximum rating conditions for extended periods may affect device reliability.

Note: Integrated protection functions are designed to prevent IC destruction under fault conditions described in the data sheet. Fault conditions are considered as “outside” normal operating range. Protection functions are not designed for continuous repetitive operation.

### Maximum Single Pulse Current

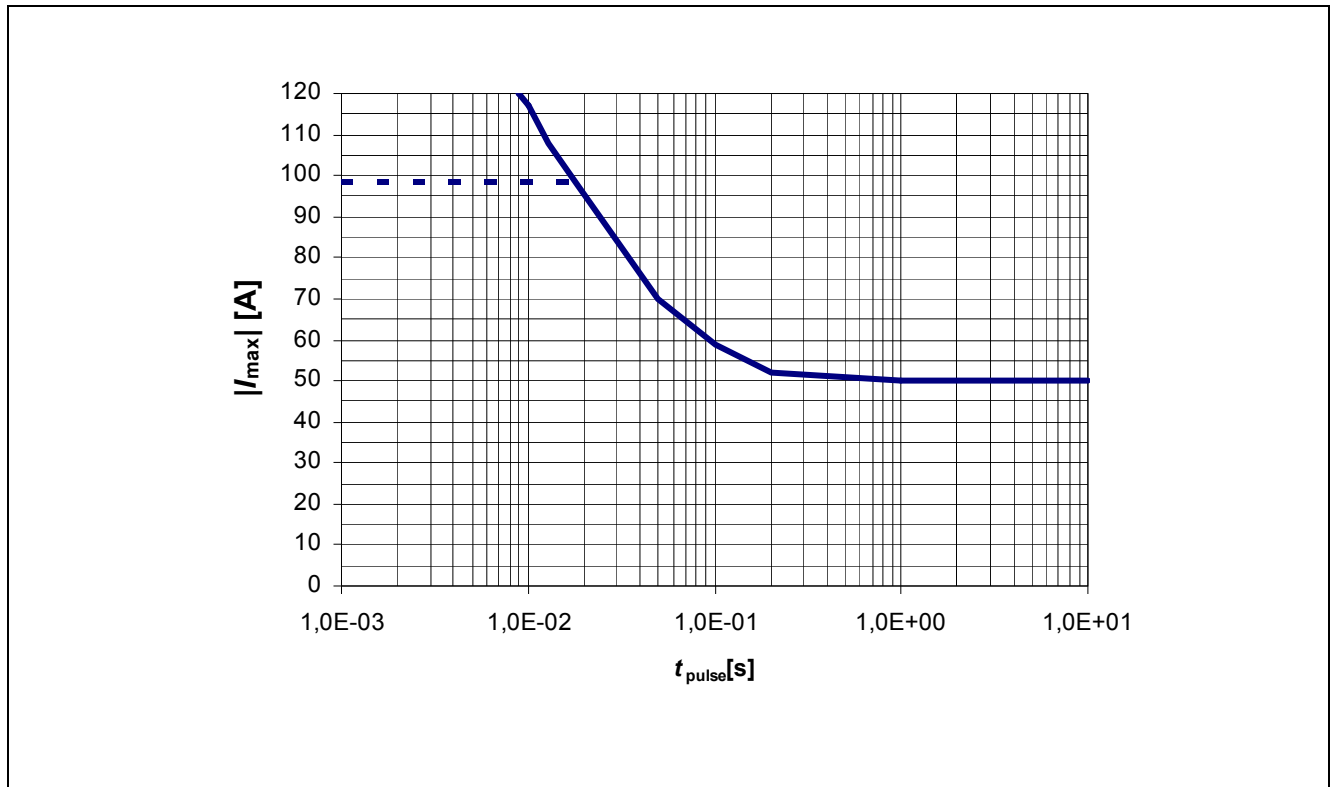


Figure 4 BTN8982TA Maximum Single Pulse Current ( $T_C < 85^\circ\text{C}$ )

This diagram shows the maximum single pulse current that can be driven for a given pulse time  $t_{pulse}$ . The maximum reachable current may be smaller depending on the current limitation level. Pulse time may be limited due to thermal protection of the device.

## 4.2 Functional Range

Pos.	Parameter	Symbol	Limit Values		Unit	Conditions
			Min.	Max.		
4.2.1	Supply Voltage Range for Normal Operation	$V_{S(nor)}$	8	18	V	–
4.2.2	Extended Supply Voltage Range for Operation	$V_{S(ext)}$	5.5	40	V	Parameter Deviations possible
4.2.3	Junction Temperature	$T_j$	-40	150	$^\circ\text{C}$	–

Note: Within the functional or operating range, the IC operates as described in the circuit description. The electrical characteristics are specified within the conditions given in the Electrical Characteristics table.

### 4.3 Thermal Resistance

Pos.	Parameter	Symbol	Limit Values			Unit	Conditions
			Min.	Typ.	Max.		
4.3.1	Thermal Resistance Junction-Case, High Side Switch $R_{thJC(HS)} = \Delta T_{j(HS)} / P_{v(HS)}$	$R_{thJC(HS)}$	–	0.55	0.8	K/W	<sup>1)</sup>
4.3.2	Thermal Resistance Junction-Case, Low Side Switch $R_{thJC(LS)} = \Delta T_{j(LS)} / P_{v(LS)}$	$R_{thJC(LS)}$	–	1.1	1.6	K/W	<sup>1)</sup>
4.3.3	Thermal Resistance Junction-Ambient	$R_{thJA}$	–	19	–	K/W	<sup>1) 2)</sup>

1) Not subject to production test, specified by design

2) Specified  $R_{thJA}$  value is according to Jedec JESD51-2,-5,-7 at natural convection on FR4 2s2p board; The Product (Chip+Package) was simulated on a 76.2 x 114.3 x 1.5 mm board with 2 inner copper layers (2 x 70µm Cu, 2 x 35µm Cu). Where applicable a thermal via array under the exposed pad contacted the first inner copper layer.



## 5 Block Description and Characteristics

### 5.1 Supply Characteristics

$V_S = 8\text{ V to }18\text{ V}$ ,  $T_j = -40\text{ }^\circ\text{C to }+150\text{ }^\circ\text{C}$ ,  $I_L = 0\text{ A}$ , all voltages with respect to ground, positive current flowing into pin (unless otherwise specified)

Pos.	Parameter	Symbol	Limit Values			Unit	Conditions
			Min.	Typ.	Max.		
<b>General</b>							
5.1.1	Supply Current	$I_{VS(on)}$	–	2.2	3.3	mA	$V_{INH} = 5\text{ V}$ $V_{IN} = 0\text{ V or }5\text{ V}$ $R_{SR} = 0\ \Omega$ DC-mode normal operation (no fault condition)
5.1.2	Quiescent Current	$I_{VS(off)}$	–	7	13	$\mu\text{A}$	$V_{INH} = 0\text{ V}$ $V_{IN} = 0\text{ V or }5\text{ V}$ $T_j < 85\text{ }^\circ\text{C}^{1)}$
			–	–	75	$\mu\text{A}$	$V_{INH} = 0\text{ V}$ $V_{IN} = 0\text{ V or }5\text{ V}$

1) Not subject to production test, specified by design

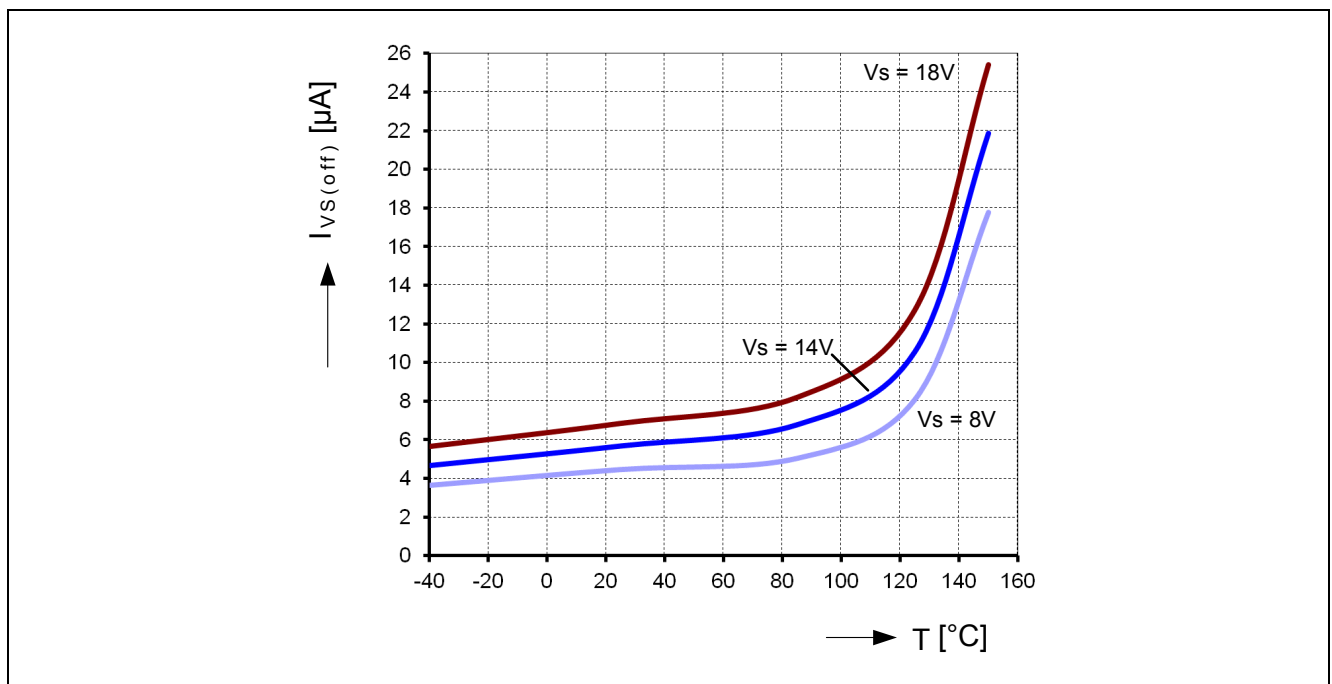


Figure 5 Typical Quiescent Current vs. Junction Temperature

## 5.2 Power Stages

The power stages of the BTN8982TA consist of a p-channel vertical DMOS transistor for the high side switch and a n-channel vertical DMOS transistor for the low side switch. All protection and diagnostic functions are located in a separate top chip. Both switches allow active freewheeling and thus minimizing power dissipation during PWM control.

The on state resistance  $R_{ON}$  is dependent on the supply voltage  $V_S$  as well as on the junction temperature  $T_j$ . The typical on state resistance characteristics are shown in [Figure 6](#).

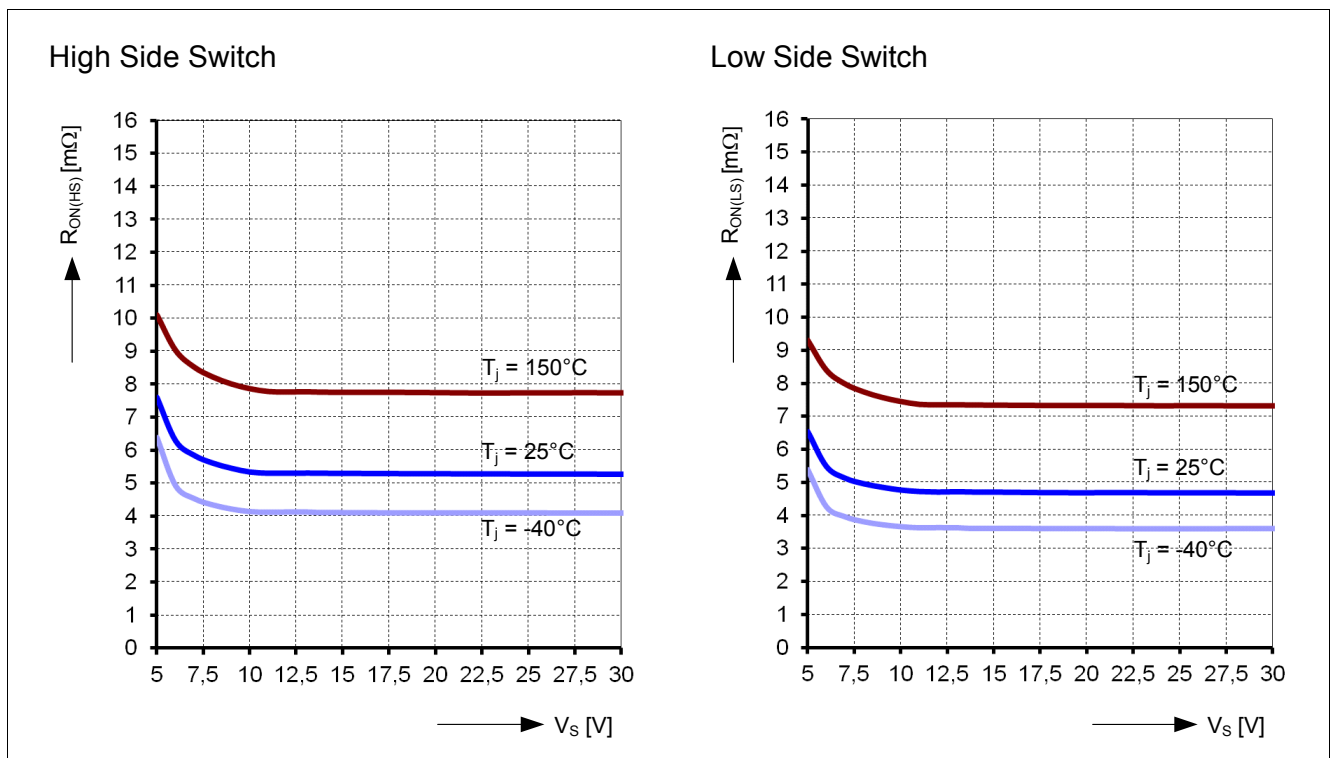


Figure 6 Typical ON State Resistance vs. Supply Voltage

### 5.2.1 Power Stages - Static Characteristics

$V_S = 8\text{ V to }18\text{ V}$ ,  $T_j = -40\text{ °C to }+150\text{ °C}$ , all voltages with respect to ground, positive current flowing into pin (unless otherwise specified)

Pos.	Parameter	Symbol	Limit Values			Unit	Conditions
			Min.	Typ.	Max.		
<b>High Side Switch - Static Characteristics</b>							
5.2.1	ON State High Side Resistance	$R_{ON(HS)}$	–	5.3	–	mΩ	$I_{OUT} = 9\text{ A}; V_S = 13.5\text{ V}$ $T_j = 25\text{ °C}; ^1)$ $T_j = 150\text{ °C}$
			–	8.0	10.5		
			–	7.5	–	mΩ	$I_{OUT} = 6\text{ A}; V_S = 6\text{ V}$ $T_j = 25\text{ °C}; ^1)$ $T_j = 150\text{ °C}$
			–	10	15.2		
5.2.2	Leakage Current High Side	$I_{L(LKHS)}$	–	–	2	μA	$V_{INH} = 0\text{ V}; V_{OUT} = 0\text{ V}$ $T_j < 85\text{ °C}; ^1)$
			–	–	60	μA	$V_{INH} = 0\text{ V}; V_{OUT} = 0\text{ V}$ $T_j = 150\text{ °C}$
5.2.3	Reverse Diode Forward-Voltage High Side <sup>2)</sup>	$V_{DS(HS)}$	–	0.9	–	V	$I_{OUT} = -9\text{ A}$ $T_j = -40\text{ °C}; ^1)$ $T_j = 25\text{ °C}; ^1)$ $T_j = 150\text{ °C}$
			–	0.8	–		
			–	0.6	0.8		
			–	0.6	0.8		
<b>Low Side Switch - Static Characteristics</b>							
5.2.4	ON State Low Side Resistance	$R_{ON(LS)}$	–	4.7	–	mΩ	$I_{OUT} = -9\text{ A}; V_S = 13.5\text{ V}$ $T_j = 25\text{ °C}; ^1)$ $T_j = 150\text{ °C}$
			–	7.5	9.9		
			–	6	–	mΩ	$I_{OUT} = -6\text{ A}; V_S = 6\text{ V}$ $T_j = 25\text{ °C}; ^1)$ $T_j = 150\text{ °C}$
			–	9.5	13.5		
5.2.5	Leakage Current Low Side	$I_{L(LKLS)}$	–	–	2	μA	$V_{INH} = 0\text{ V}; V_{OUT} = V_S$ $T_j < 85\text{ °C}; ^1)$
			–	–	30	μA	$V_{INH} = 0\text{ V}; V_{OUT} = V_S$ $T_j = 150\text{ °C}$
5.2.6	Reverse Diode Forward-Voltage Low Side <sup>2)</sup>	$-V_{DS(LS)}$	–	0.9	–	V	$I_{OUT} = 9\text{ A}$ $T_j = -40\text{ °C}; ^1)$ $T_j = 25\text{ °C}; ^1)$ $T_j = 150\text{ °C}$
			–	0.8	–		
			–	0.7	0.9		
			–	0.7	0.9		

1) Not subject to production test, specified by design

2) Due to active freewheeling, diode is conducting only for a few μs, depending on  $R_{SR}$

## 5.2.2 Switching Times

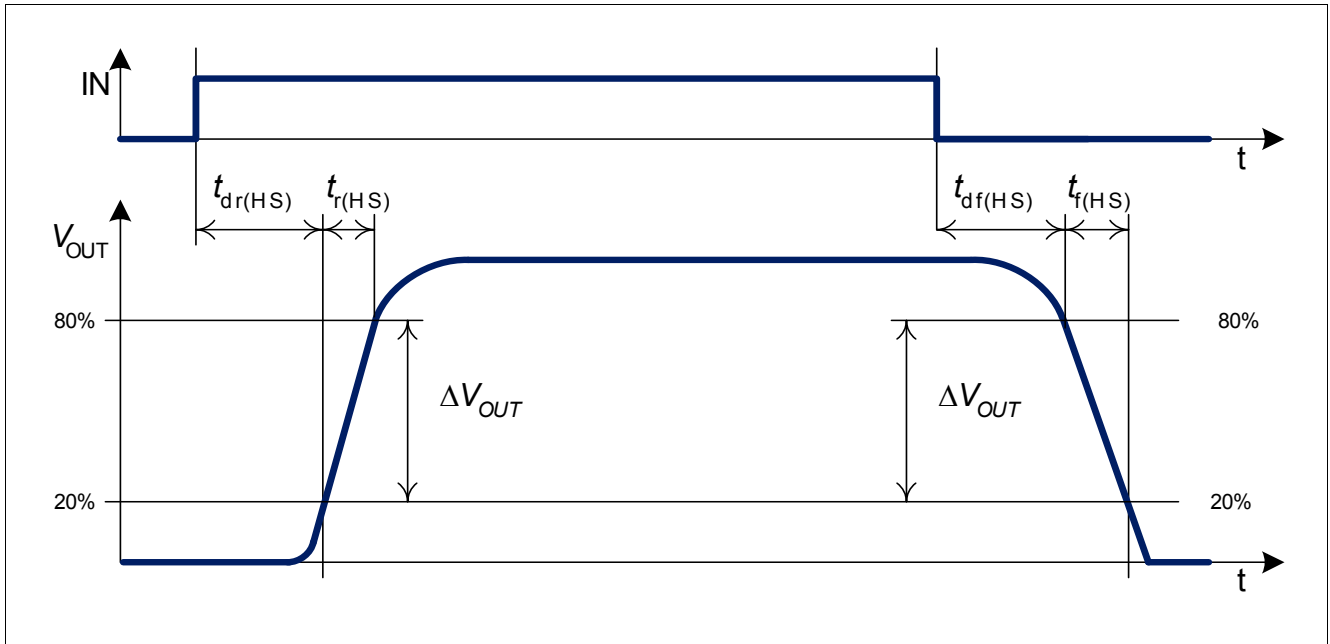


Figure 7 Definition of switching times high side ( $R_{load}$  to GND)



Figure 8 Definition of switching times low side ( $R_{load}$  to VS)

Due to the timing differences for the rising and the falling edge there will be a slight difference between the length of the input pulse and the length of the output pulse. It can be calculated using the following formulas:

- $\Delta t_{HS} = (t_{dr(HS)} + 0.5 t_{r(HS)}) - (t_{df(HS)} + 0.5 t_{f(HS)})$
- $\Delta t_{LS} = (t_{df(LS)} + 0.5 t_{f(LS)}) - (t_{dr(LS)} + 0.5 t_{r(LS)})$ .

### 5.2.3 Power Stages - Dynamic Characteristics

$V_S = 13.5 \text{ V}$ ,  $T_j = -40 \text{ }^\circ\text{C}$  to  $+150 \text{ }^\circ\text{C}$ ,  $R_{\text{load}} = 2 \text{ } \Omega$ ,  $30 \mu\text{H} < L_{\text{load}} < 40 \mu\text{H}$  (in series to  $R_{\text{load}}$ ), single pulse, all voltages with respect to ground, positive current flowing into pin (unless otherwise specified)

Pos.	Parameter	Symbol	Limit Values			Unit	Conditions
			Min.	Typ.	Max.		
<b>High Side Switch Dynamic Characteristics</b>							
5.2.7	Rise-Time of HS	$t_{r(\text{HS})}$	0.05 – 0.22	0.25 0.38 1.3	0.85 – 6	$\mu\text{s}$	$R_{\text{SR}} = 0 \text{ } \Omega$ $R_{\text{SR}} = 5.1 \text{ k}\Omega$ $R_{\text{SR}} = 51 \text{ k}\Omega$
5.2.8	Switch ON Delay Time HS	$t_{\text{dr}(\text{HS})}$	1.5 – 2	3.4 5.2 15	4.6 – 31	$\mu\text{s}$	$R_{\text{SR}} = 0 \text{ } \Omega$ $R_{\text{SR}} = 5.1 \text{ k}\Omega$ $R_{\text{SR}} = 51 \text{ k}\Omega$
5.2.9	Fall-Time of HS	$t_{f(\text{HS})}$	0.05 – 0.22	0.25 0.38 1.3	0.85 – 6	$\mu\text{s}$	$R_{\text{SR}} = 0 \text{ } \Omega$ $R_{\text{SR}} = 5.1 \text{ k}\Omega$ $R_{\text{SR}} = 51 \text{ k}\Omega$
5.2.10	Switch OFF Delay Time HS	$t_{\text{df}(\text{HS})}$	0.8 – 1.1	2.4 3.4 9	4.1 – 21	$\mu\text{s}$	$R_{\text{SR}} = 0 \text{ } \Omega$ $R_{\text{SR}} = 5.1 \text{ k}\Omega$ $R_{\text{SR}} = 51 \text{ k}\Omega$
<b>Low Side Switch Dynamic Characteristics</b>							
5.2.11	Rise-Time of LS	$t_{r(\text{LS})}$	0.05 – 0.22	0.25 0.38 1.3	0.85 – 6	$\mu\text{s}$	$R_{\text{SR}} = 0 \text{ } \Omega$ $R_{\text{SR}} = 5.1 \text{ k}\Omega$ $R_{\text{SR}} = 51 \text{ k}\Omega$
5.2.12	Switch OFF Delay Time LS	$t_{\text{dr}(\text{LS})}$	0.2 – 1	1.5 2.4 7	2.5 – 16	$\mu\text{s}$	$R_{\text{SR}} = 0 \text{ } \Omega$ $R_{\text{SR}} = 5.1 \text{ k}\Omega$ $R_{\text{SR}} = 51 \text{ k}\Omega$
5.2.13	Fall-Time of LS	$t_{f(\text{LS})}$	0.05 – 0.22	0.25 0.38 1.3	0.85 – 6	$\mu\text{s}$	$R_{\text{SR}} = 0 \text{ } \Omega$ $R_{\text{SR}} = 5.1 \text{ k}\Omega$ $R_{\text{SR}} = 51 \text{ k}\Omega$
5.2.14	Switch ON Delay Time LS	$t_{\text{df}(\text{LS})}$	1.8 – 2.0	4.2 6 16	6.1 – 36	$\mu\text{s}$	$R_{\text{SR}} = 0 \text{ } \Omega$ $R_{\text{SR}} = 5.1 \text{ k}\Omega$ $R_{\text{SR}} = 51 \text{ k}\Omega$

### 5.3 Protection Functions

The device provides integrated protection functions. These are designed to prevent IC destruction under fault conditions described in the data sheet. Fault conditions are considered as “outside” normal operating range. Protection functions are not to be used for continuous or repetitive operation, with the exception of the current limitation ([Chapter 5.3.3](#)). In case of overtemperature the BTN8982TA will apply the slew rate determined by the connected slew rate resistor. In current limitation mode the highest slew rate possible will be applied independent of the connected slew rate resistor. Overtemperature and overcurrent are indicated by a fault current  $I_{IS(LIM)}$  at the IS pin as described in the paragraph [“Status Flag Diagnosis with Current Sense Capability” on Page 17](#) and [Figure 12](#).

#### 5.3.1 Undervoltage Shut Down

To avoid uncontrolled motion of the driven motor at low voltages the device shuts off (output is tri-state), if the supply voltage drops below the switch-off voltage  $V_{UV(OFF)}$ . The IC becomes active again with a hysteresis  $V_{UV(HY)}$  if the supply voltage rises above the switch-on voltage  $V_{UV(ON)}$ .

#### 5.3.2 Overtemperature Protection

The BTN8982TA is protected against overtemperature by an integrated temperature sensor. Overtemperature leads to a shut down of both output stages. This state is latched until the device is reset by a low signal with a minimum length of  $t_{reset}$  at the INH pin, provided that its temperature has decreased at least the thermal hysteresis  $\Delta T$  in the meantime.

Repetitive use of the overtemperature protection impacts lifetime.

#### 5.3.3 Current Limitation

The current in the bridge is measured in both switches. As soon as the current in forward direction in one switch (high side or low side) is reaching the limit  $I_{CLx}$ , this switch is deactivated and the other switch is activated for  $t_{CLS}$ . During that time all changes at the IN pin are ignored. However, the INH pin can still be used to switch both MOSFETs off. After  $t_{CLS}$  the switches return to their initial setting. The error signal at the IS pin is reset after  $2 * t_{CLS}$ . Unintentional triggering of the current limitation by short current spikes (e.g. inflicted by EMI coming from the motor) is suppressed by internal filter circuitry. Due to thresholds and reaction delay times of the filter circuitry the effective current limitation level  $I_{CLx}$  depends on the slew rate of the load current  $di/dt$  as shown in [Figure 10](#).

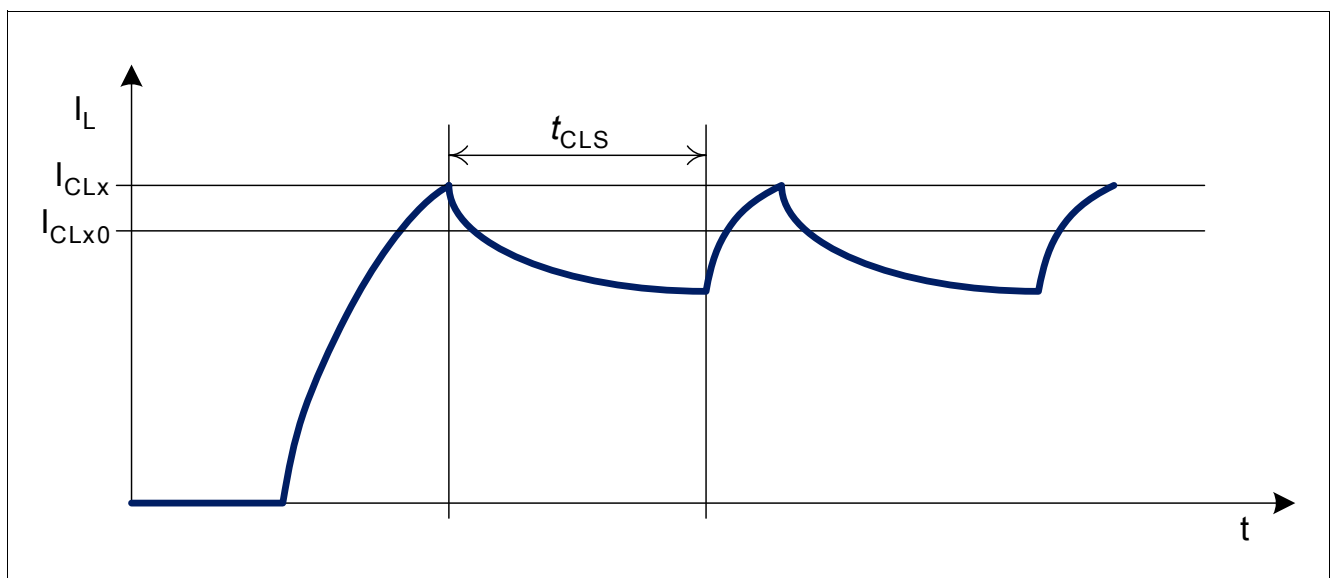


Figure 9 Timing Diagram Current Limitation (Inductive Load)

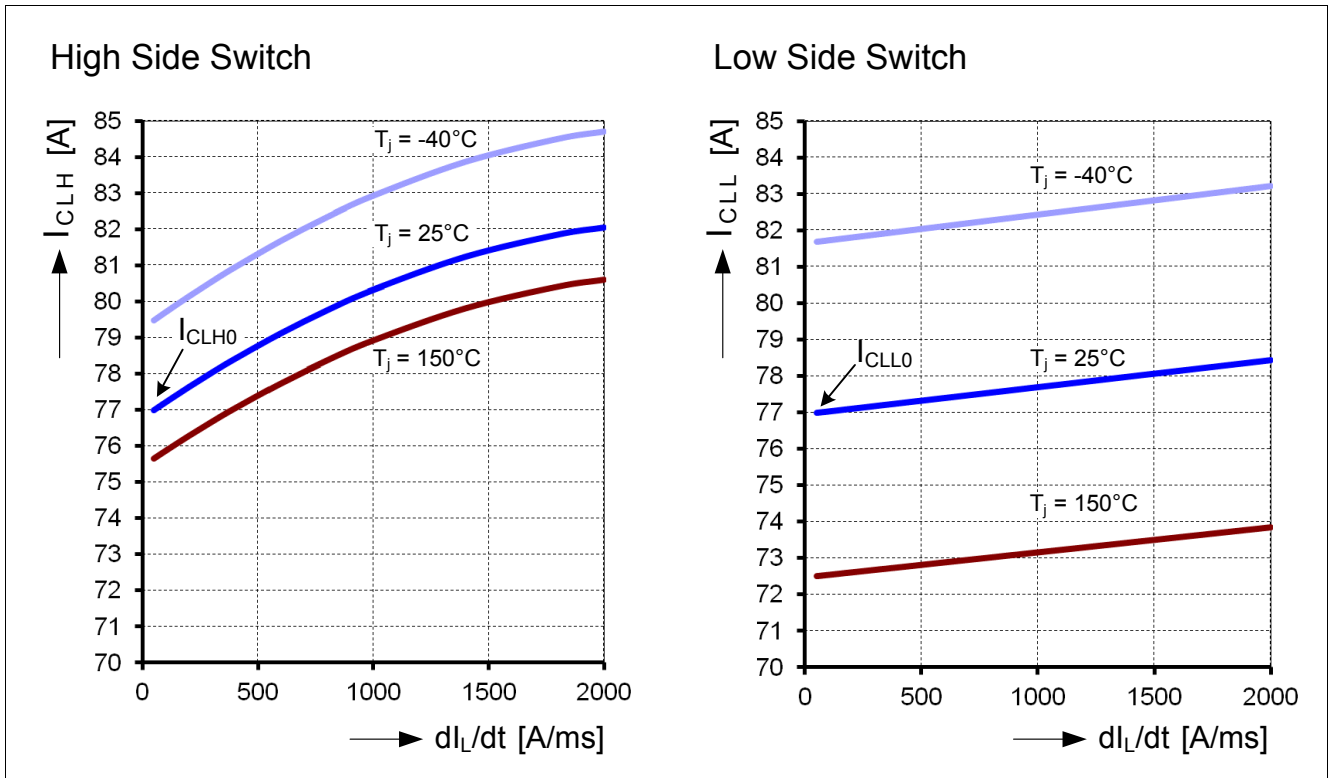


Figure 10 Typical Current Limitation Detection Level vs. Current Slew Rate  $di_L/dt$

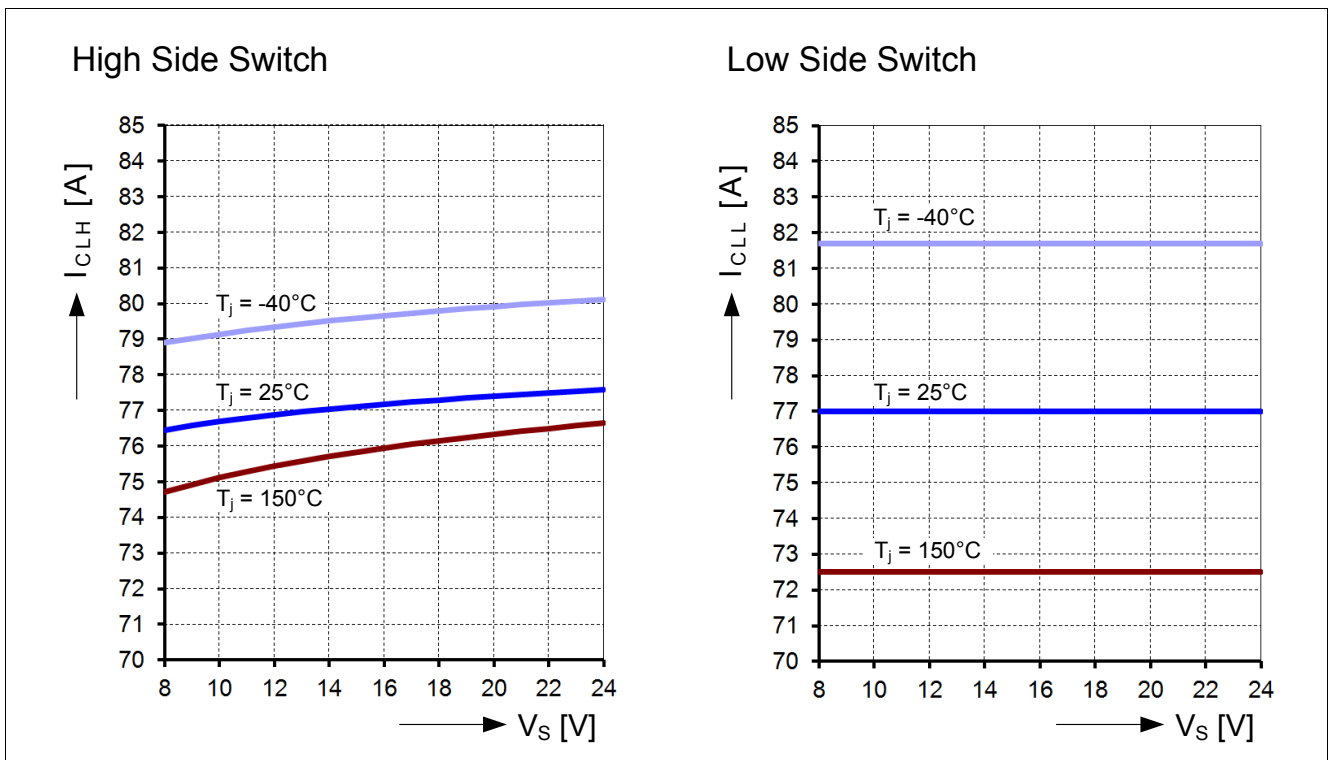


Figure 11 Typical Current Limitation Detection Levels vs. Supply Voltage

In combination with a typical inductive load, such as a motor, this results in a switched mode current limitation. This method of limiting the current has the advantage of greatly reduced power dissipation in the BTN8982TA

compared to driving the MOSFET in linear mode. Therefore it is possible to use the current limitation for a short time without exceeding the maximum allowed junction temperature (e.g. for limiting the inrush current during motor start up). However, the regular use of the current limitation is allowed as long as the specified maximum junction temperature is not exceeded. Exceeding this temperature can reduce the lifetime of the device.

### 5.3.4 Short Circuit Protection

The device provides embedded protection functions against

- output short circuit to ground
- output short circuit to supply voltage
- short circuit of load

The short circuit protection is realized by the previously described current limitation in combination with the over-temperature shut down of the device.

### 5.3.5 Electrical Characteristics - Protection Functions

$V_S = 8\text{ V}$  to  $18\text{ V}$ ,  $T_j = -40\text{ °C}$  to  $+150\text{ °C}$ , all voltages with respect to ground, positive current flowing into pin (unless otherwise specified)

Pos.	Parameter	Symbol	Limit Values			Unit	Conditions
			Min.	Typ.	Max.		
<b>Under Voltage Shut Down</b>							
5.3.1	Switch-ON Voltage	$V_{UV(ON)}$	–	–	5.5	V	$V_S$ increasing
5.3.2	Switch-OFF Voltage <sup>1)</sup>	$V_{UV(OFF)}$	3.0	–	4.5	V	$V_S$ decreasing, INH = 1
5.3.3	ON/OFF Hysteresis	$V_{UV(HY)}$	–	0.2	–	V	<sup>2)</sup>
<b>Current Limitation</b>							
5.3.4	Current Limitation Detection level High Side	$I_{CLH0}$	55	77	98	A	$V_S = 13.5\text{ V}$
5.3.5	Current Limitation Detection level Low Side	$I_{CLL0}$	55	77	98	A	$V_S = 13.5\text{ V}$
<b>Current Limitation Timing</b>							
5.3.6	Shut OFF Time for HS and LS	$t_{CLS}$	70	115	210	µs	$V_S = 13.5\text{ V}$ ; <sup>2)</sup>
<b>Thermal Shut Down</b>							
5.3.7	Thermal Shut Down Junction Temperature	$T_{jSD}$	155	175	200	°C	–
5.3.8	Thermal Switch ON Junction Temperature	$T_{jSO}$	150	–	190	°C	–
5.3.9	Thermal Hysteresis	$\Delta T$	–	7	–	K	<sup>2)</sup>
5.3.10	Reset Pulse at INH Pin (INH low)	$t_{reset}$	4	–	–	µs	<sup>2)</sup>

1) With decreasing  $V_S < 5.5\text{V}$  activation of the Current Limitation mode may occur before Undervoltage Shut Down.

2) Not subject to production test, specified by design.



## 5.4 Control and Diagnostics

### 5.4.1 Input Circuit

The control inputs IN and INH consist of TTL/CMOS compatible schmitt triggers with hysteresis which control the integrated gate drivers for the MOSFETs. Setting the INH pin to high enables the device. In this condition one of the two power switches is switched on depending on the status of the IN pin. To deactivate both switches, the INH pin has to be set to low. No external driver is needed. The BTN8982TA can be interfaced directly to a microcontroller, as long as the maximum ratings in [Chapter 4.1](#) are not exceeded.

### 5.4.2 Dead Time Generation

In bridge applications it has to be assured that the highside and lowside MOSFET are not conducting at the same time, connecting directly the battery voltage to GND. This is assured by a circuit in the driver IC, generating a so called dead time between switching off one MOSFET and switching on the other. The dead time generated in the driver IC is automatically adjusted to the selected slew rate.

### 5.4.3 Adjustable Slew Rate

In order to optimize electromagnetic emission, the switching speed of the MOSFETs is adjustable by an external resistor. The slew rate pin SR allows the user to optimize the balance between emission and power dissipation within his own application by connecting an external resistor  $R_{SR}$  to GND.

### 5.4.4 Status Flag Diagnosis with Current Sense Capability

The sense pin IS is used as a combined current sense and error flag output.

In normal operation (current sense mode), a current source is connected to the status pin, which delivers a current proportional to the forward load current flowing through the active high side switch. The sense current can be calculated out of the load current by the following equation:

$$I_{IS} = \frac{1}{dk_{ILIS}} \cdot I_L + I_{IS(\text{offset})} \quad (1)$$

The other way around, the load current can be calculated out of the sense current by following equation:

$$I_L = dk_{ILIS} \cdot (I_{IS} - I_{IS(\text{offset})}) \quad (2)$$

The differential current sense ratio  $dk_{ILIS}$  is defined by:

$$dk_{ILIS} = \frac{I_{L2} - I_{L1}}{I_{IS}(I_{L2}) - I_{IS}(I_{L1})} \quad (3)$$

If the high side drain current is zero ( $I_{SD(HS)} = 0A$ ) the offset current  $I_{IS} = I_{IS(\text{offset})}$  still will be driven.

The external resistor  $R_{IS}$  determines the voltage per IS output current. The voltage can be calculated by  $V_{IS} = R_{IS} \cdot I_{IS}$ .

In case of a fault condition the status output is connected to a current source which is independent of the load current and provides  $I_{IS(\text{lim})}$ . The maximum voltage at the IS pin is determined by the choice of the external resistor and the supply voltage. In case of current limitation the  $I_{IS(\text{lim})}$  is activated for  $2 * t_{CLS}$ .

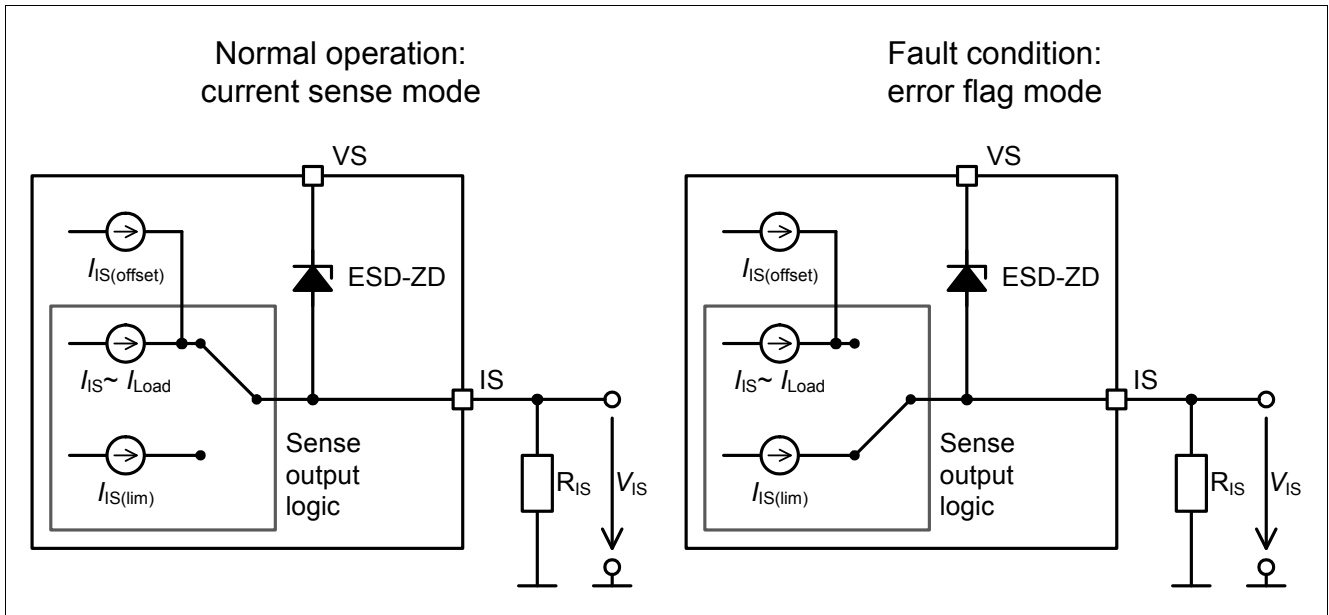


Figure 12 Sense Current and Fault Current

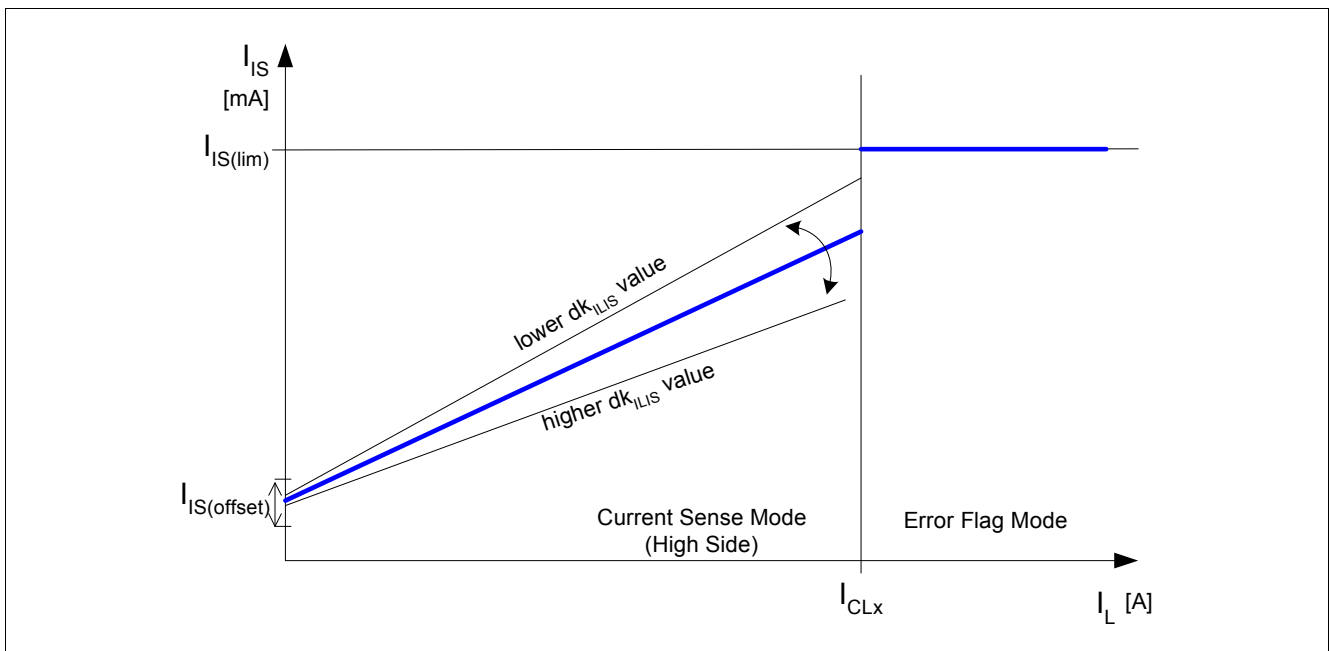


Figure 13 Sense Current vs. Load Current

### 5.4.5 Truth Table

Device State	Inputs		Outputs			Mode
	INH	IN	HSS	LSS	IS	
Normal Operation	0	X	OFF	OFF	0	Stand-by mode
	1	0	OFF	ON	$I_{IS(offset)}$	LSS active
	1	1	ON	OFF	CS	HSS active
Under-Voltage (UV)	X	X	OFF	OFF	0	UV lockout, reset
Overtemperature (OT) or Short Circuit of HSS or LSS	0	X	OFF	OFF	0	Stand-by mode, reset of latch
	1	X	OFF	OFF	1	Shut-down with latch, error detected
Current Limitation Mode/ Overcurrent (OC)	1	1	OFF	ON	1	Switched mode, error detected <sup>1)</sup>
	1	0	ON	OFF	1	Switched mode, error detected <sup>1)</sup>

1) Will return to normal operation after  $t_{CLS}$ ; Error signal is reset after  $2 * t_{CLS}$  (see [Chapter 5.3.3](#))

Inputs	Switches	Current Sense / Status Flag IS
0 = Logic LOW	OFF = switched off	$I_{IS(offset)}$ = Current sense - Offset (for conditions see table: <a href="#">Current Sense</a> )
1 = Logic HIGH	ON = switched on	CS = Current sense - high side (for conditions see table: <a href="#">Current Sense</a> )
X = 0 or 1		1 = Logic HIGH (error)

### 5.4.6 Electrical Characteristics - Control and Diagnostics

$V_S = 8\text{ V to }18\text{ V}$ ,  $T_j = -40\text{ °C to }+150\text{ °C}$ , all voltages with respect to ground, positive current flowing into pin (unless otherwise specified)

Pos.	Parameter	Symbol	Limit Values			Unit	Conditions
			Min.	Typ.	Max.		
<b>Control Inputs (IN and INH)</b>							
5.4.1	High level Voltage INH, IN	$V_{INH(H)}$ $V_{IN(H)}$	–	1.75	2.15	V	–
5.4.2	Low level Voltage INH, IN	$V_{INH(L)}$ $V_{IN(L)}$	1.1	1.4	–	V	–
5.4.3	Input Voltage hysteresis	$V_{INH(HY)}$ $V_{IN(HY)}$	–	350	–	mV	1)
5.4.4	Input Current high level	$I_{INH(H)}$ $I_{IN(H)}$	10	30	150	µA	$V_{IN} = V_{INH} = 5.3\text{ V}$
5.4.5	Input Current low level	$I_{INH(L)}$ $I_{IN(L)}$	10	25	125	µA	$V_{IN} = V_{INH} = 0.4\text{ V}$

#### Current Sense

5.4.6	Differential Current Sense ratio in static on-condition $dk_{ILIS} = dI_L / dI_{IS}$	$dk_{ILIS}$	14	19.5	25	$10^3$	$R_{IS} = 1\text{ k}\Omega$ $I_{L1} = 10\text{ A}$ $I_{L2} = 40\text{ A}$
5.4.7	Maximum analog Sense Current, Sense Current in fault Condition	$I_{IS(lim)}$	4	5	6.5	mA	$V_S = 13.5\text{ V}$ $R_{IS} = 1\text{ k}\Omega$
5.4.8	Isense Leakage current	$I_{ISL}$	–	–	1	µA	$V_{INH} = 0\text{ V}$
5.4.9	Isense offset current	$I_{IS(offset)}$	30	170	385	µA	$V_S = 18\text{ V}$ ; $V_{INH} = 5\text{ V}$ $I_{SD(HS)} = 0\text{ A}$

1) Not subject to production test, specified by design

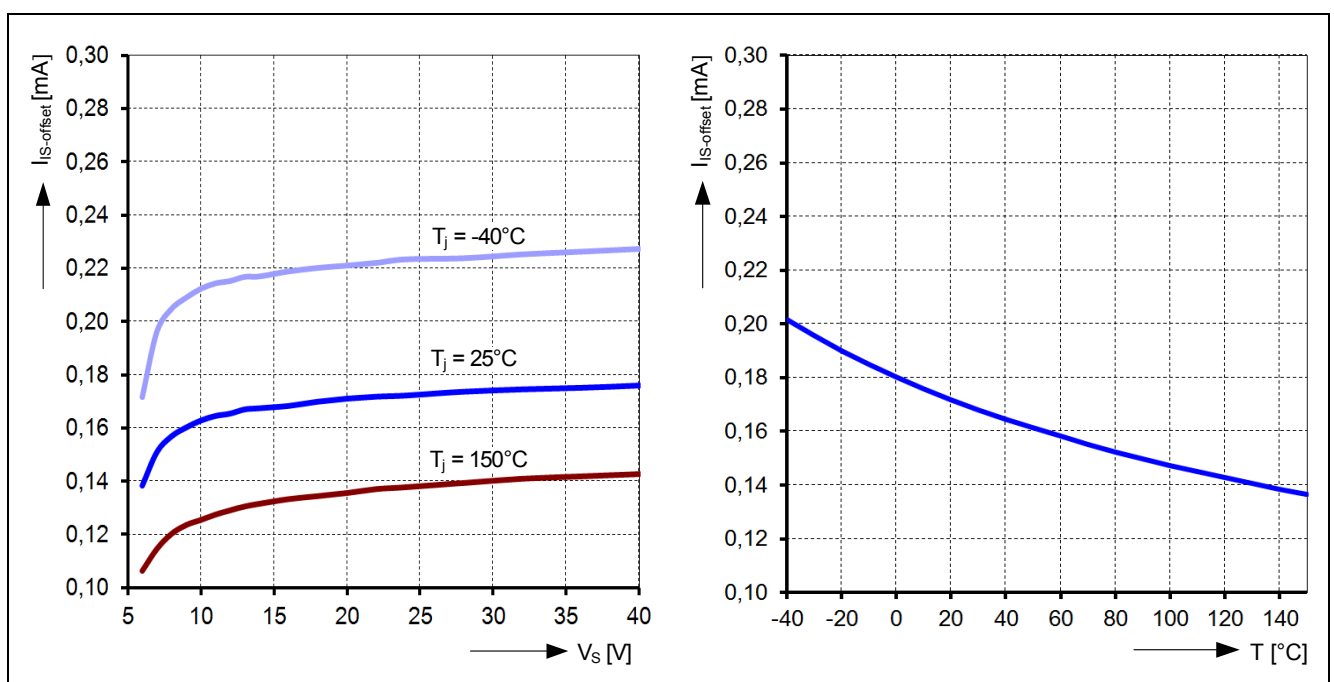


Figure 14 Typical Current Sense Offset Current

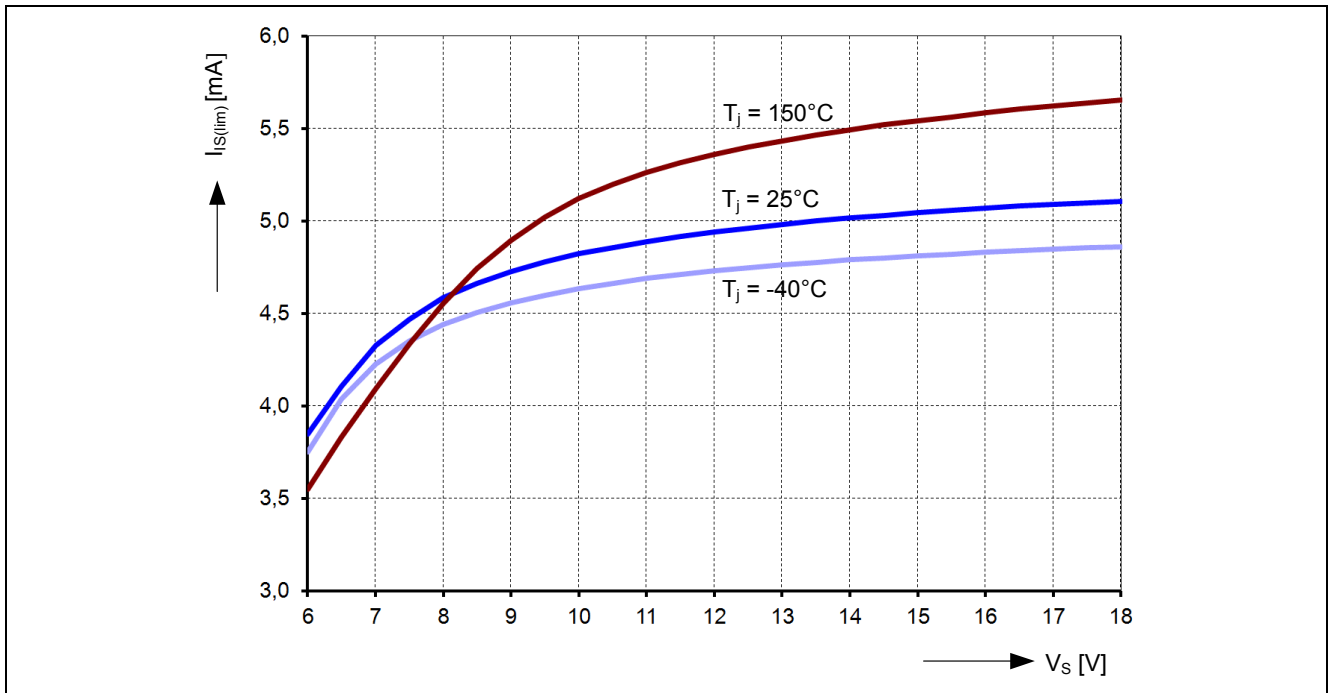


Figure 15 Typical characteristic of the maximum analog Sense Current in fault condition (Pos. 5.4.7.)

## 6 Application Information

Note: The following information is given as a hint for the implementation of the device only and shall not be regarded as a description or warranty of a certain functionality, condition or quality of the device.

### 6.1 Application Circuit

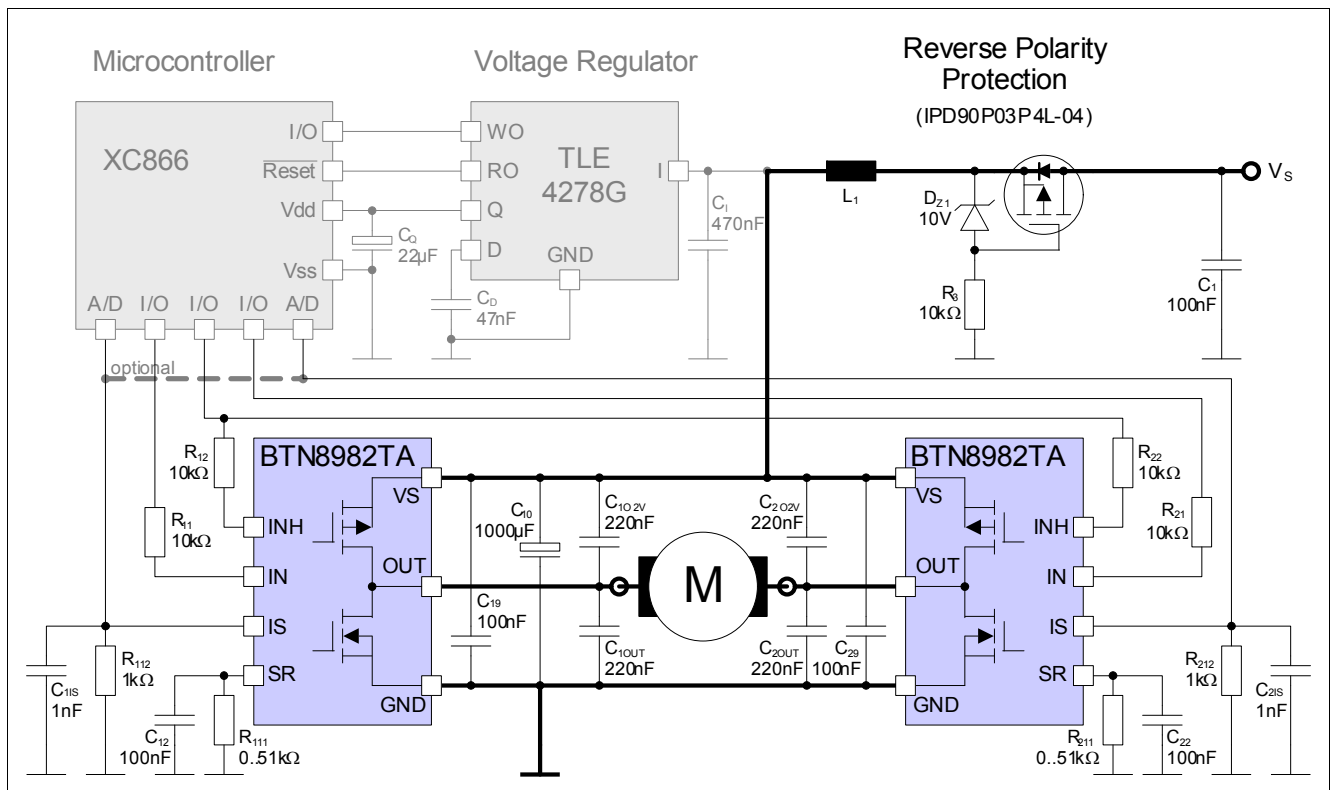


Figure 16 Application Circuit: H-Bridge with two BTN8982TA

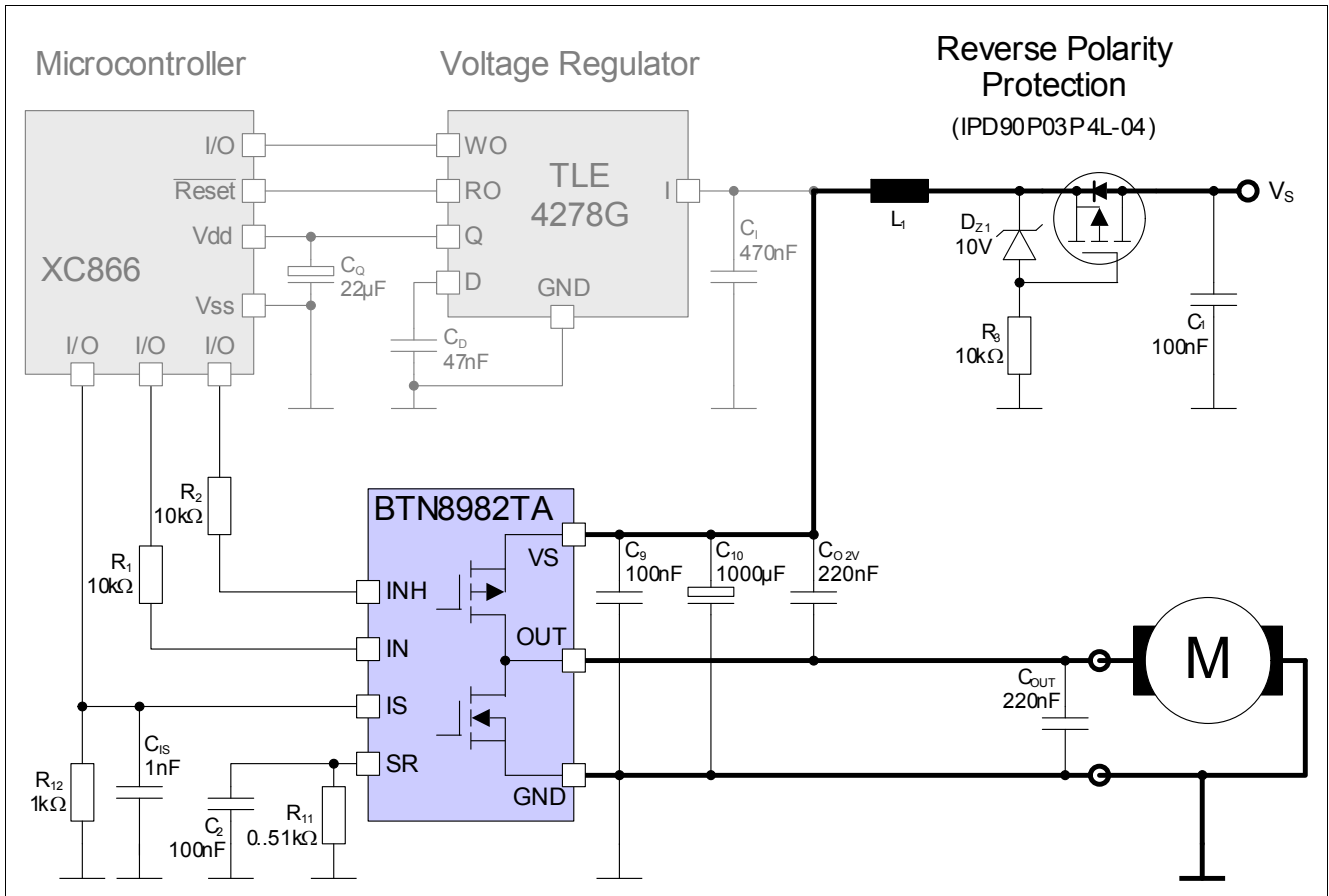
Note: This is a simplified example of an application circuit. The function must be verified in the real application.

### 6.2 Layout Considerations

Due to the fast switching times for high currents, special care has to be taken to the PCB layout. Stray inductances have to be minimized in the power bridge design as it is necessary in all switched high power bridges. The BTN8982TA has no separate pin for power ground and logic ground. Therefore it is recommended to assure that the offset between the ground connection of the slew rate resistor, the current sense resistor and ground pin of the device (GND / pin 1) is minimized. If the BTN8982TA is used in a H-bridge or B6 bridge design, the voltage offset between the GND pins of the different devices should be small as well.

Due to the fast switching behavior of the device in current limitation mode a low ESR electrolytic capacitor  $C_{10}$  from VS to GND is necessary. This prevents destructive voltage peaks and drops on VS. This is needed for both PWM and non PWM controlled applications. To assure efficiency of  $C_{10}$  and  $C_{19}/C_{29}$  the stray inductance must be low. Therefore the capacitors must be placed very close to the device pins. The value of the capacitors must be verified in the real application, taking care for low ripple and transients at the V<sub>S</sub> pin of the BTN8982TA.

The digital inputs need to be protected from excess currents (e.g. caused by induced voltage spikes) by series resistors greater than 7kΩ.



**Figure 17 Application Circuit: Half-Bridge with a BTN8982TA (Load to GND)**

*Note: This is a simplified example of an application circuit. The function must be verified in the real application.*

### 6.3 PWM Control

For the selection of the max. PWM frequency the chosen rise/fall-time and the requirements on the duty cycle have to be taken into account. We recommend a PWM-period at least 10 times the rise-time.

Example:

Rise-time = fall-time =  $4\mu\text{s}$ .

=>  $T\text{-PWM} = 10 * 4\mu\text{s} = 40\mu\text{s}$ .

=>  $f\text{-PWM} = 25\text{kHz}$ .

The min. and max. value of the duty cycle (PWM ON to OFF percentage) is determined by the real fall time plus the real rise time. In this example a duty cycle make sense from approximately 20% to 80%.

If a wider duty cycle range is needed, the PWM frequency could be decreased and/or the rise/fall-time could be accelerated.

## 7 Package Outlines

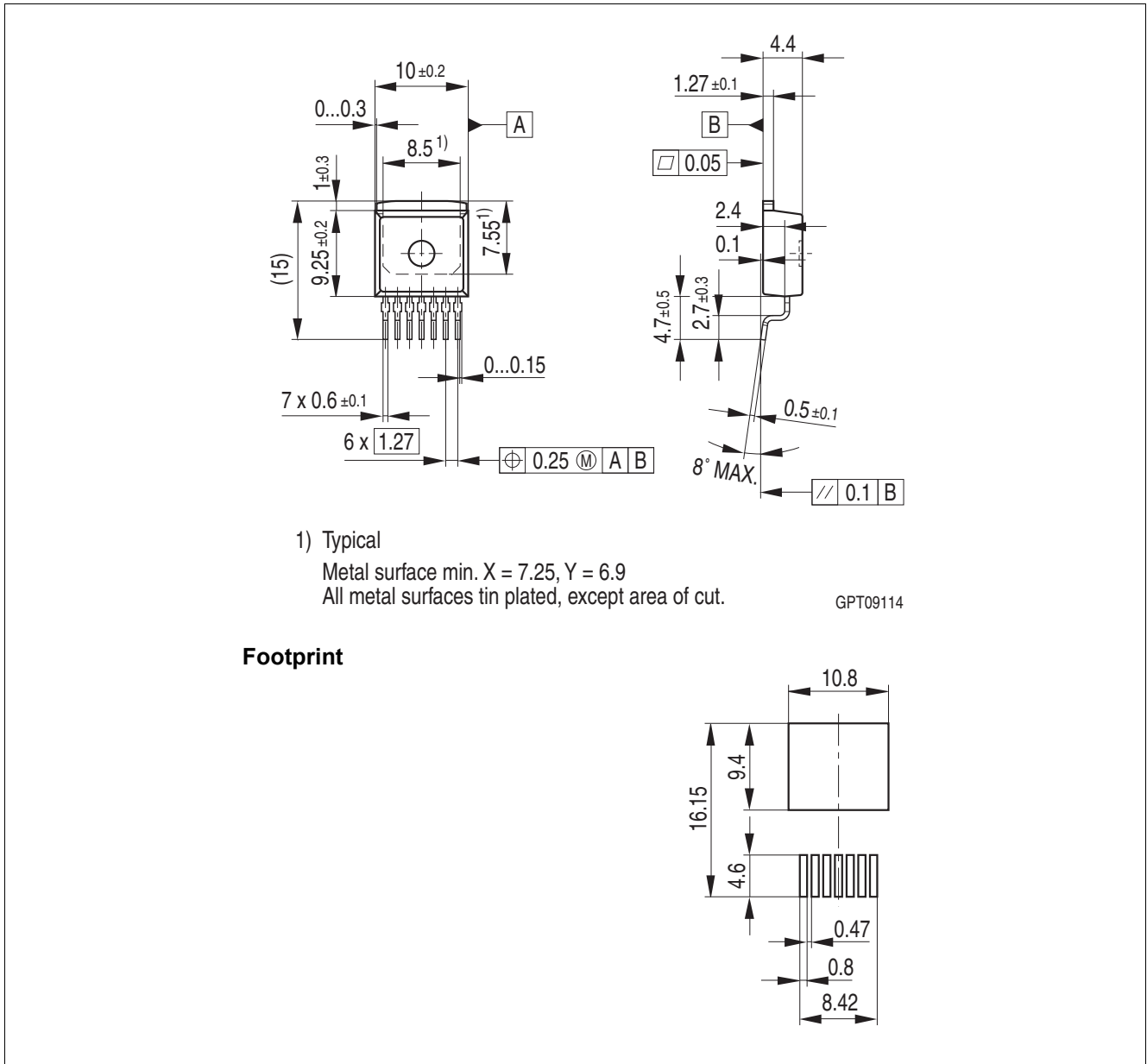


Figure 18 PG-TO263-7-1 (Plastic Green Transistor Single Outline Package)

### Green Product (RoHS compliant)

To meet the world-wide customer requirements for environmentally friendly products and to be compliant with government regulations the device is available as a green product. Green products are RoHS-Compliant (i.e. Pb-free finish on leads and suitable for Pb-free soldering according to IPC/JEDEC J-STD-020).

For further information on alternative packages, please visit our website:  
<http://www.infineon.com/packages>.

Dimensions in mm



## 8 Revision History

Initial release.

**Edition 2013-05-17**

**Published by  
Infineon Technologies AG  
81726 Munich, Germany**

**© 2013 Infineon Technologies AG  
All Rights Reserved.**

### **Legal Disclaimer**

The information given in this document shall in no event be regarded as a guarantee of conditions or characteristics. With respect to any examples or hints given herein, any typical values stated herein and/or any information regarding the application of the device, Infineon Technologies hereby disclaims any and all warranties and liabilities of any kind, including without limitation, warranties of non-infringement of intellectual property rights of any third party.

### **Information**

For further information on technology, delivery terms and conditions and prices, please contact the nearest Infineon Technologies Office ([www.infineon.com](http://www.infineon.com)).

### **Warnings**

Due to technical requirements, components may contain dangerous substances. For information on the types in question, please contact the nearest Infineon Technologies Office.

Infineon Technologies components may be used in life-support devices or systems only with the express written approval of Infineon Technologies, if a failure of such components can reasonably be expected to cause the failure of that life-support device or system or to affect the safety or effectiveness of that device or system. Life support devices or systems are intended to be implanted in the human body or to support and/or maintain and sustain and/or protect human life. If they fail, it is reasonable to assume that the health of the user or other persons may be endangered.

# Mouser Electronics

Authorized Distributor

Click to View Pricing, Inventory, Delivery & Lifecycle Information:

[Infineon:](#)

[BTN8982TAAUMA1](#)