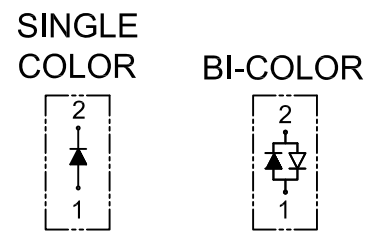
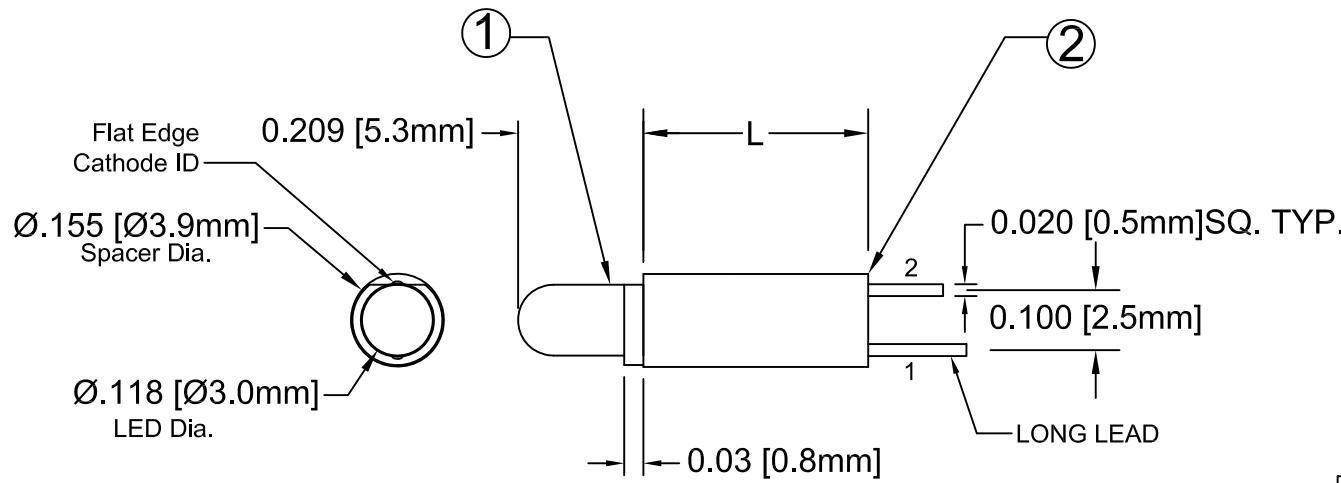
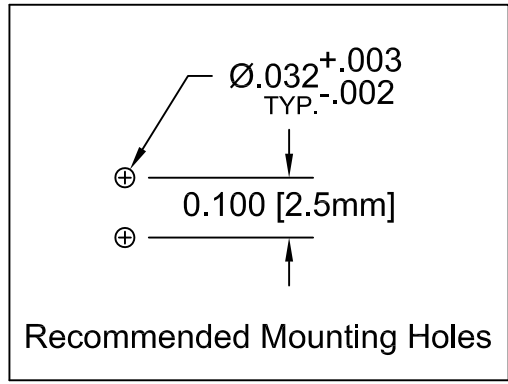


ITEM	Q'TY	PART NUMBER	PART DESCRIPTION
1	1	3XXX-F	T-1 (3mm) Flanged LED, See Page 2-3
2	1	ELM5XXX	Extruded, Self-Retaining Narrow LED Spacer

REV.	DESCRIPTION	DATE	APPROVED
C	Added Bicolor LEDs.	09/20/06	M. C.
D	Update BOM and Top View of ELM	11/07/06	M. C.
E	Added Low Current LEDs	01/04/07	M. C.
F	Corrected LED Part Numbers on Page 3	03/12/07	M. C.
G	Added 3SRC-F LED to Page 3	12/21/07	M. C.
H	Removed Tolerance Note.	09/03/08	M. C.
J	Added ELM5XXX3UYC Specs.	09/24/08	M. C.
K	Added Bi-Color LED Polarity Diagram.	03/29/10	T. Y.



BI-COLOR POLARITY		
LED P/N	(1) Cathode	(2) Cathode
3BC-F	Green	Red
3BC-Y/G-F	Green	Yellow




### ABSOLUTE MAXIMUM RATINGS (Ta=25°C)

REVERSE VOLTAGE	_____	5V
REVERSE CURRENT	_____	100uA
OPERATING TEMPERATURE RANGE	_____	-25° C - 85° C
STORAGE TEMPERATURE	_____	-30° C - 100° C
LEAD SOLDERING TEMPERATURE(1/16" FROM BODY)	_____	260° C FOR 5 SECONDS

STANDARD TOLERANCE (UNLESS OTHERWISE SPECIFIED)		 <b>BIVAR</b> ® 4 THOMAS, IRVINE, CA. 92618 TEL: (949) 951-8808 FAX: (949) 951-3974	
DECIMALS	ANGULAR		
.X ±.1	X° ± 1°		
.XX ±.02		 <b>TITLE:</b> EXTRUDED VERTICAL T-1 (3mm) LED NARROW SPACER PROFILE ASSY	
.XXX ±.010			
DESIGNED: <b>Ty Yln</b>	DATE: <b>03/10/04</b>	<b>PART NO:</b> ELM5XXX3XX <b>REVISION:</b> K	
CHECKED: <b>D. Green</b>	DATE: <b>03/10/04</b>		
		<b>CAGE CODE :</b> 32559 <b>SHEET #</b> 1 <b>OF</b> 3 <small>CAD GENERATED DOCUMENT, DO NOT MEASURE DRAWING.</small>	

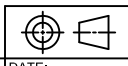
REV.	DESCRIPTION	DATE	APPROVED
	See Page 1		

LED Part No.	Chip			Lens Appearance	Absolute Maximum Ratings				Electro-Optical Data @ 20mA			Viewing Angle (Deg)
	Material	Peak Wave Length $\lambda_p$ (nm)	Emitted Color		$\Delta\lambda$ (nm)	Pd (mW)	If (mA)	Peak If (mA)	Vf (V)		Iv (mcd)	
									Typ.	Max.	Typ.	
3BWC-F	GaN/SiC	430	BLUE	WATER CLEAR	65	150	25	70	4.0	4.5	15	20
3BWD-F	GaN/SiC	430	BLUE	DIFFUSED	65	150	25	70	4.0	4.5	10	35
3BWT-F	GaN/SiC	430	BLUE	TINTED	65	150	25	70	4.0	4.5	15	20
3PGC-F	GaP/GaP	555	PURE GREEN	WATER CLEAR	25	80	30	150	2.2	2.8	10	20
3PGD-F	GaP/GaP	555	PURE GREEN	DIFFUSED	25	80	30	150	2.2	2.8	5	35
3PGT-F	GaP/GaP	555	PURE GREEN	TINTED	25	80	30	150	2.2	2.8	10	20
3GC-F	GaP/GaP	568	GREEN	WATER CLEAR	30	80	30	150	2.1	2.8	40	20
3GD-F	GaP/GaP	568	GREEN	DIFFUSED	30	80	30	150	2.1	2.8	25	35
3GT-F	GaP/GaP	568	GREEN	TINTED	30	80	30	150	2.2	2.8	40	20
3YC-F	GaAsP/GaP	590	YELLOW	WATER CLEAR	35	80	30	150	2.0	2.8	40	20
3YD-F	GaAsP/GaP	590	YELLOW	DIFFUSED	35	80	30	150	2.0	2.8	20	35
3YT-F	GaAsP/GaP	590	YELLOW	TINTED	35	80	30	150	2.0	2.8	40	20
3UYC-F	GaAsP/GaP	590	YELLOW	WATER CLEAR	35	80	30	150	2.0	2.4	300	20
3AC-F	GaAsP/GaP	605	AMBER	WATER CLEAR	35	80	30	150	2.0	2.8	40	20
3AD-F	GaAsP/GaP	605	AMBER	DIFFUSED	35	80	30	150	2.0	2.8	25	35
3AT-F	GaAsP/GaP	605	AMBER	TINTED	35	80	30	150	2.0	2.8	40	20
3HC-F	GaAsP/GaP	625	HE RED	WATER CLEAR	45	80	30	150	2.0	2.8	50	20
3HD-F	GaAsP/GaP	625	HE RED	DIFFUSED	45	80	30	150	2.0	2.8	30	35
3HT-F	GaAsP/GaP	625	HE RED	TINTED	45	80	30	150	2.0	2.6	50	20
3RC-F	GaP/GaP	700	RED	WATER CLEAR	40	45	20	80	2.1	2.8	2.5	20
3RD-F	GaP/GaP	700	RED	DIFFUSED	40	45	20	80	2.1	2.8	2	35
3RT-F	GaP/GaP	700	RED	TINTED	40	45	20	80	2.1	2.8	2.5	20
3SRC-F	GaAlAs/GaAs	645	RED	WATER CLEAR	40	70	30	150	1.7	2.4	60	20
3BC-F	GaAsP/GaAs	625	RED	WHITE DIFFUSED	45	80	30	150	2.0	2.8	6	45
	GaP/GaP	568	GREEN		30	80	30	150	2.1	2.8	6	
3BC-Y/G-F	GaAsP/GaP	590	YELLOW	WHITE DIFFUSED	35	80	30	150	2.0	2.8	4	45
	GaP/GaP	568	GREEN		30	80	30	150	2.1	2.8	6	

STANDARD TOLERANCE ( UNLESS OTHERWISE SPECIFIED ) $\pm 10\%$ All Values		 <b>BIVAR</b> <sup>®</sup> 4 THOMAS, IRVINE, CA. 92618 TEL: (949) 951-8808 FAX: (949) 951-3974	
ANGULAR X° ± 1°			
DESIGNED: <b>T. Yin</b>		DATE: <b>03/10/04</b>	TITLE: Extruded Vertical T-1 (3mm) LED Narrow Spacer Profile Assy
CHECKED: <b>David Green</b>		DATE: <b>03/10/04</b>	PART NO: <b>ELM5XXX3XX</b>
		CAGE CODE : <b>32559</b>	SHEET # <b>2 OF 3</b>
CAD GENERATED DOCUMENT, DO NOT MEASURE DRAWING.			

REV.	DESCRIPTION	DATE	APPROVED
	SEE SHEET#1.		

LED Part No.	Chip			Lens Appearance	Absolute Max. Ratings			Electro-Optical Data @ 2mA			Viewing Angle 2 $\theta$ $\frac{1}{2}$ (Deg)
	Material	Peak Wave Length $\lambda_p$ (nm)	Emitted Color		$\Delta\lambda$ (nm)	Pd (mW)	If (mA)	Vf (V)		Iv (mcd)	
								TYP	MAX	TYP	
3BWDL-F	GaN/SiC	430	BLUE	DIFFUSED	65	10	5	4.0	4.5	6	35
3GDL-F	GaP/GaP	568	GREEN	DIFFUSED	30	10	5	2.1	2.8	2	35
3PGDL-F	GaP/GaP	555	PURE GREEN	DIFFUSED	25	10	5	2.2	2.8	4	35
3YDL-F	GaAsP/GaP	590	YELLOW	DIFFUSED	35	10	5	2.0	2.6	2	35
3ADL-F	GaAsP/GaP	605	AMBER	DIFFUSED	35	10	5	2.0	2.8	6	35
3HDL-F	GaAsP/GaP	625	HE RED	DIFFUSED	45	10	5	2.0	2.6	3	35
3RDL-F	GaP/GaP	700	RED	DIFFUSED	40	10	5	2.1	2.8	1	35
3SRDL-F	GaAlAs/GaAs	645	SUPER RED	DIFFUSED	20	10	5	1.7	2.4	3	35

STANDARD TOLERANCE ( UNLESS OTHERWISE SPECIFIED ) $\pm 10\%$ ALL VALUES				<b>BIVAR</b> <sup>®</sup> 4 THOMAS, IRVINE, CA. 92618 TEL: (949) 951-8808 FAX: (949) 951-3974
ANGULAR X° $\pm$ 5°		<b>TITLE:</b> Extruded Vertical T-1 (3mm) LED Narrow Spacer Profile Assy		
DESIGNED: <b>T. Yin</b>	DATE: <b>03/10/04</b>	<b>PART NO:</b> ELM5XXX3XX	REVISION: <b>K</b>	
CHECKED: <b>David Green</b>	DATE: <b>03/10/04</b>	<b>CAGE CODE :</b> 32559	<b>SHEET #</b> 3 <b>OF</b> 3	
CAD GENERATED DOCUMENT, DO NOT MEASURE DRAWING.				

# Mouser Electronics

Authorized Distributor

Click to View Pricing, Inventory, Delivery & Lifecycle Information:

## BIVAR:

[ELM50303GD](#) [ELM50403YD](#) [ELM50503GD](#) [ELM50503GDL](#) [ELM50603GD](#) [ELM50603GDL](#) [ELM50603HDL](#)  
[ELM50603YDL](#) [ELM50703GD](#) [ELM50703RD](#) [ELM50703YD](#) [ELM50753GD](#) [ELM50753YD](#) [ELM50803GD](#)  
[ELM50903RD](#) [ELM51003GD](#) [ELM51003GDL](#) [ELM51003HD](#) [ELM51003HDL](#) [ELM51003RD](#) [ELM51003YD](#)  
[ELM51003YDL](#) [ELM51053HDL](#) [ELM510MM3GD](#) [ELM510MM3GDL](#) [ELM510MM3HD](#) [ELM510MM3HDL](#)  
[ELM510MM3RD](#) [ELM510MM3YD](#) [ELM510MM3YDL](#) [ELM51103HDL](#) [ELM51153GD](#) [ELM51153HD](#) [ELM51203GD](#)  
[ELM51203GDL](#) [ELM51203HD](#) [ELM51203YDL](#) [ELM51253GD](#) [ELM51253RD](#) [ELM512MM3GD](#) [ELM512MM3GDL](#)  
[ELM512MM3HDL](#) [ELM512MM3YDL](#) [ELM51353GD](#) [ELM51403GD](#) [ELM51403RD](#) [ELM51403YD](#) [ELM51453HDL](#)  
[ELM51503GD](#) [ELM51503GDL](#) [ELM51503HD](#) [ELM51503HDL](#) [ELM51503YDL](#) [ELM51553GD](#) [ELM51553YD](#)  
[ELM515MM3GD](#) [ELM515MM3GDL](#) [ELM515MM3HDL](#) [ELM515MM3RD](#) [ELM515MM3YD](#) [ELM51603GDL](#)  
[ELM51603HDL](#) [ELM51603RDL](#) [ELM51603YDL](#) [ELM51703GD](#) [ELM51703HD](#) [ELM51703SRD](#) [ELM51803YDL](#)  
[ELM51903GD](#) [ELM51903GDL](#) [ELM51903HD](#) [ELM51903RD](#) [ELM51903YDL](#) [ELM519MM3GDL](#) [ELM519MM3HDL](#)  
[ELM519MM3YDL](#) [ELM52003GD](#) [ELM52003HD](#) [ELM52003HDL](#) [ELM52003RD](#) [ELM52003YD](#) [ELM52053GD](#)  
[ELM52053RD](#) [ELM52053YD](#) [ELM520MM3GD](#) [ELM520MM3RD](#) [ELM52153HD](#) [ELM52153RD](#) [ELM52303GDL](#)  
[ELM52303SRC](#) [ELM52353GD](#) [ELM52353HD](#) [ELM52453GDL](#) [ELM52453HDL](#) [ELM52453YDL](#) [ELM52503BWD](#)  
[ELM52503GD](#) [ELM52503GDL](#) [ELM52503HDL](#) [ELM52503RD](#)