

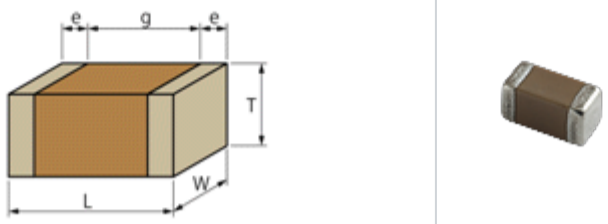
GRM022R60G104ME15#

"#" indicates a package specification code.

Recommended   

< List of part numbers with package codes >
GRM022R60G104ME15L , GRM022R60G104ME15B

Shape

	
L size	0.4 ± 0.02mm
W size	0.2 ± 0.02mm
T size	0.2 ± 0.02mm
External terminal width e	0.07 to 0.14mm
Distance between external terminals g (Min.)	0.13mm
Size code in mm(inch)	0402 (01005)

References

Packaging	Specifications	Minimum quantity
L	Embossed tape (180mm)	40000
B	Packing in bulk	1000

Mass (typ.)	
1 piece	0.09mg
Reel (180mm)	134g

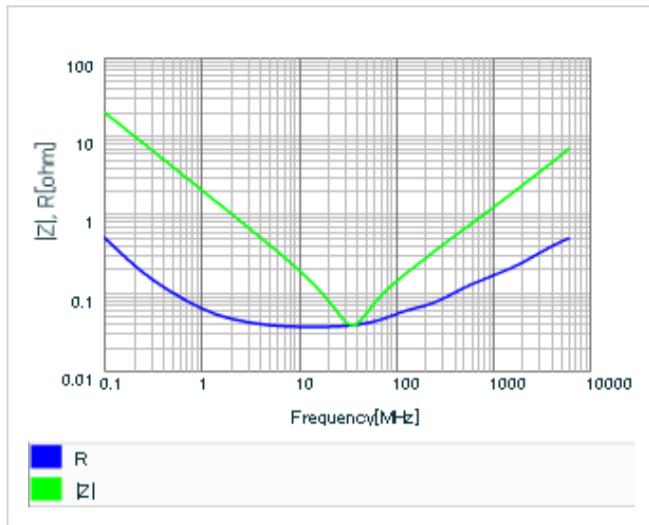
Specifications

Capacitance	0.10μF ± 20%
Rated voltage	4Vdc
Temperature characteristics (complied standard)	X5R(EIA)
Capacitance change rate	± 15%
Temperature range of temperature characteristics	-55 to 85
Operating temperature range	-55 to 85

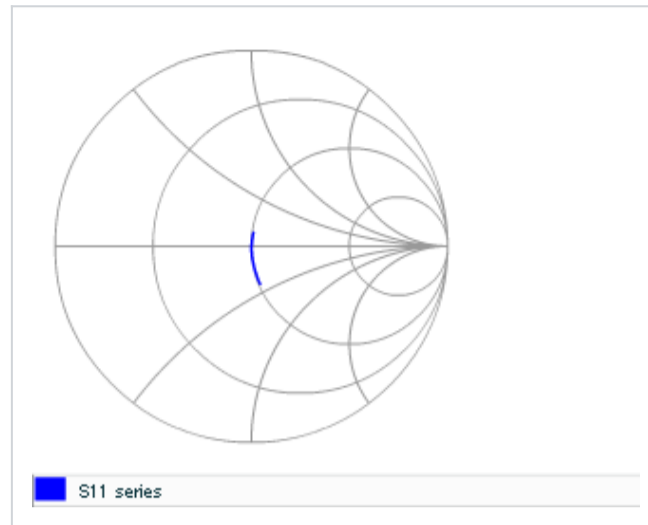
Attention

- 1.This datasheet is downloaded from the website of Murata Manufacturing Co., Ltd. Therefore, it ' s specifications are subject to change or our products in it may be discontinued without advance notice. Please check with our sales representatives or product engineers before ordering.
- 2.This datasheet has only typical specifications because there is no space for detailed specifications. Therefore, please review our product specifications or consult the approval sheet for product specifications before ordering.

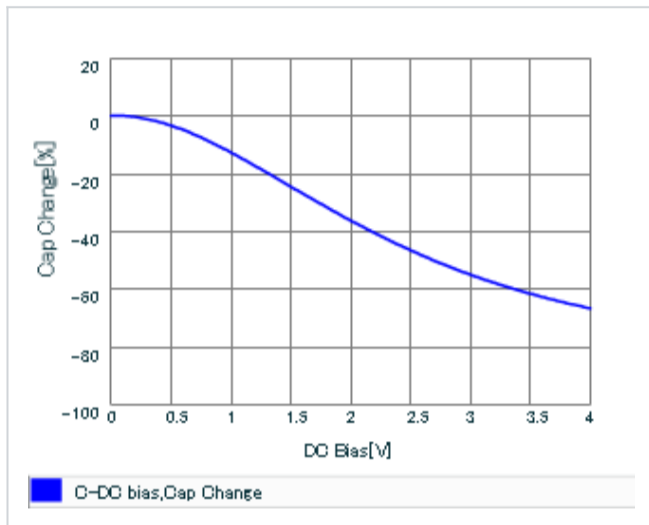
▪ Frequency characteristics (ESR, Impedance)



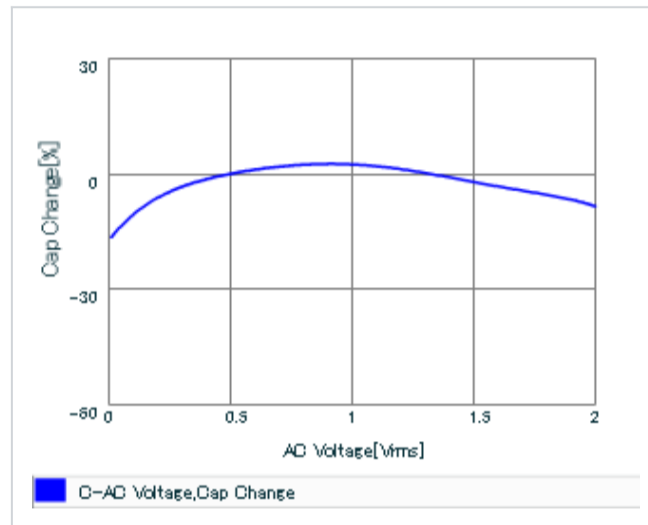
▪ S parameter (Smith chart S11)



▪ DC bias characteristics



▪ AC voltage characteristics



▪ Capacitance - temperature characteristics

