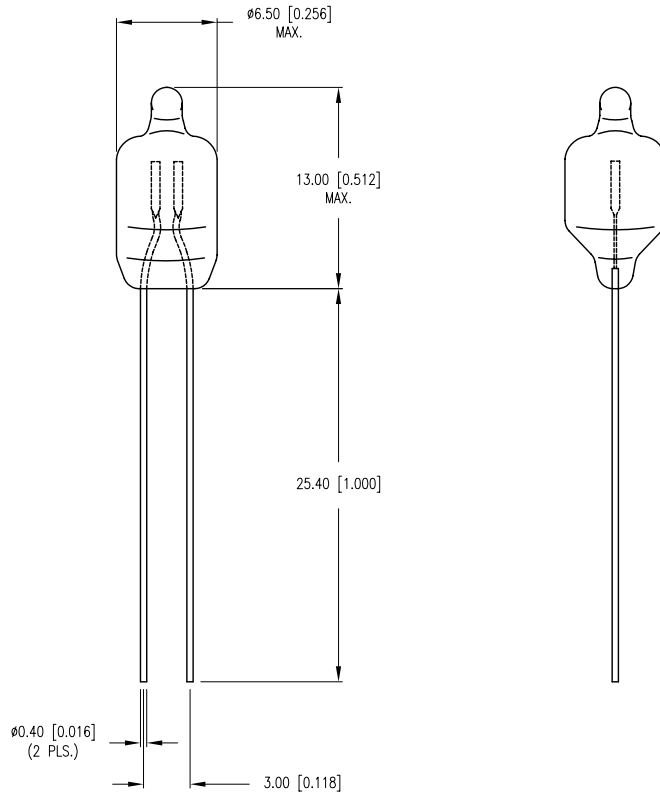


PART NUMBER	GT-NE6S1325T	REV.	C
DATE	E.C.N. NUMBER AND REVISION COMMENTS		REV.
02.18.00	E.C.N. #10594. & 10BRDR.		A
12.13.06	E.C.N. #11148.		B
01.03.12	E.C.N. #10BRDR.		C



ELECTRO-OPTICAL CHARACTERISTICS

PARAMETER	MIN	TYP	MAX	UNITS
OPERATING VOLTAGE	90		115	V
STARTING VOLTAGE (AC)			65	V
(DC)			90	V
OPERATING CURRENT: W/ 150K OHM RES.		0.3		mA @ 110V
LIGHT OUTPUT		120		mLM
LIFE HOURS		25,000		HOURS
EMITTED COLOR:	ORANGE			

NOTES:

- EXTERNAL RESISTOR VALUE 150K OHMS.
- PARTS TO BE IN A SEALED BAG WITH DESICCANT.
- LEAD FINISH: SILVER PLATED LEADS.
- CORONA MUST COVER A MINIMUM OF 25% OF THE ELECTRODE WITH NO FLICKERING.

*UNLESS OTHERWISE SPECIFIED TOLERANCES PER DECIMAL PRECISION ARE: X=±1 (±0.039), XX=±0.5 (±0.020), XXX=±0.25 (±0.010), XXXX=±0.127 (±0.005). LEAD SIZE=±0.05 (±0.002), LEAD LENGTH=±0.75 (±0.030). MIN.= +^{DECIMAL PRECISION} -0.00, MAX.= +0.00 -^{DECIMAL PRECISION}

UNCONTROLLED DOCUMENT



290 E. HELEN ROAD
PALATINE, IL 60067-6976
PHONE: +1.847.359.2790
FAX: +1.847.359.6538
WEB: WWW.LUMEX.COM

6.5mm x 13mm NEON LAMP, STANDARD BRIGHTNESS.

THE SPECIFICATIONS MAY CHANGE AT ANY TIME WITHOUT NOTICE DUE TO NEW MATERIALS OR PRODUCT IMPROVEMENT.

CONFIDENTIAL INFORMATION
THE INFORMATION CONTAINED IN THIS DOCUMENT IS THE PROPERTY OF LUMEX INC. EXCEPT AS SPECIFICALLY AUTHORIZED IN WRITING BY LUMEX INC., THE HOLDER OF THIS DOCUMENT SHALL KEEP ALL INFORMATION CONTAINED HEREIN CONFIDENTIAL AND SHALL PROTECT SAME IN WHOLE OR IN PART FROM DISCLOSURE AND DISSEMINATION TO ALL THIRD PARTIES.

DATE:	01.03.12	DRAWN BY:	AB
PAGE:	1 OF 1	CHKD BY:	SS
SCALE:	NTS	APRVD BY:	JD
UNIT:	mm [INCH]		Ⓟ

Mouser Electronics

Authorized Distributor

Click to View Pricing, Inventory, Delivery & Lifecycle Information:

[Lumex:](#)

[GT-NE6S1325T](#)