

# LOW-PROFILE, EXTREME HIGH-POWER/SIGNAL COMBO

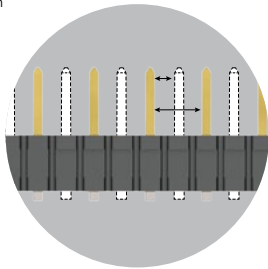
## FEATURES & BENEFITS

- 30 A per power blade and 1 A per signal pin
- Low 7.5 mm profile design (right-angle) for improved system airflow and space savings
- Double-stacked power blades per bank for increased density and power
- Ideal for coplanar and perpendicular applications
- Rugged guide posts are standard for blind mating assistance
- Socket available as vertical with press-fit tails and right-angle through-hole; mates with terminal or standard .062" (1.60 mm) PCB card



<b>Standard Creepage*</b>	5.63 mm
<b>Standard Clearance*</b>	2.69 mm

\*Selectively loading contacts achieves customer specific creepage and clearance requirements. Contact [asp@samtec.com](mailto:asp@samtec.com)



## KEY SPECIFICATIONS

PITCH	INSULATOR MATERIAL	TERMINAL MATERIAL	PLATING	OPERATING TEMP RANGE	VOLTAGE RATING	MATING CYCLES	LEAD-FREE SOLDERABLE
(12.00 mm) .472" (pwr) (1.27 mm) .050" (sig)	Black LCP	Signal: Brass Power: Copper Alloy	Au or Sn over 50 μ" (1.27 μm) Ni	40 °C to +105 °C	250 VAC / 500 VDC	250 (MFG Tested)	Yes (RT1 & RT2 option)

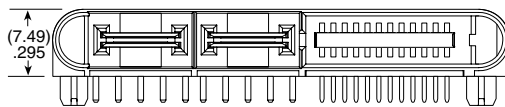
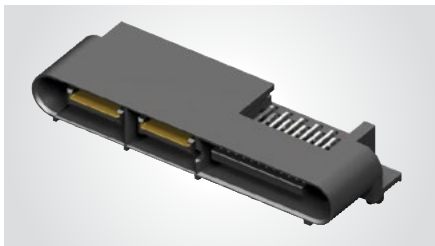
### Notes:

Series is rated up to 60 A per power bank.  
Some lengths, styles and options are non-standard, non-returnable.  
The Molex EXTreme LPHPower™ line is a second source to the Samtec LPHT/LPHS Series.  
\*EXTreme LPHPower™ is a trademark of Molex Incorporated.

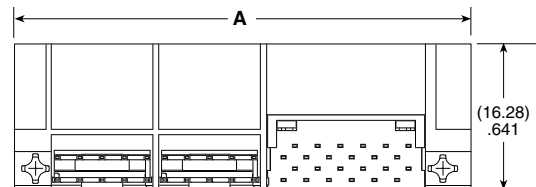
## 30 A SIGNAL/POWER COMBO SYSTEM

SERIES	POWER POSITIONS	SIGNAL POSITIONS	PLATING OPTION	TAIL	GP
<b>LPHT</b> Terminal  <b>LPHS</b> Socket	Total, 2 per power bank <b>-02, -04, -06, -08, -10</b>	Total <b>-16 -20 -24 -32</b>	<b>-L</b> = 10 μ" (0.25 μm) Gold on contact, Matte Tin on tail	<b>-VP1</b> = Vertical Press-fit (LPHS only)  <b>-RT1</b> = Right-angle Through-hole (Use with (1.60 mm) .062" thick board)  <b>-RT2</b> = Right-angle Through-hole (Use with (2.36 mm) .093" thick board)	

**LPHT**  
Board Mates:  
LPHS

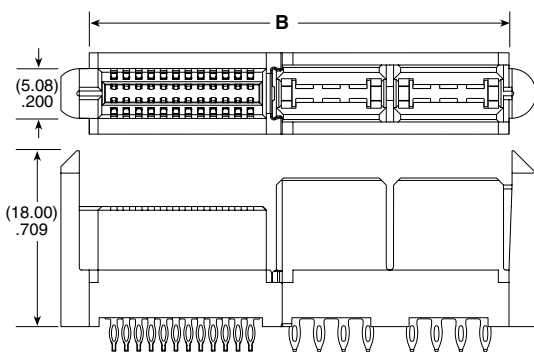
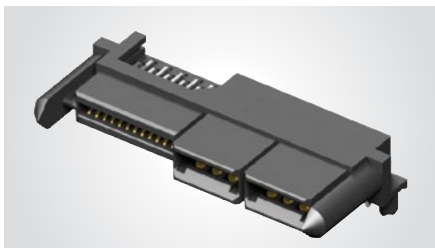


SIGNAL POSITIONS	POWER POSITIONS				
	A (-02)	A (-04)	A (-06)	A (-08)	A (-10)
-16	(33.97) 1.337	(45.97) 1.810	(57.97) 2.282	(69.97) 2.755	(81.97) 3.227
-20	(36.51) 1.437	(48.51) 1.910	(60.51) 2.382	(72.51) 2.855	(84.51) 3.327
-24	(39.05) 1.537	(51.05) 2.010	(63.05) 2.482	(75.05) 2.955	(87.05) 3.427
-32	(44.13) 1.737	(56.13) 2.210	(68.13) 2.682	(80.13) 3.155	(92.13) 3.627



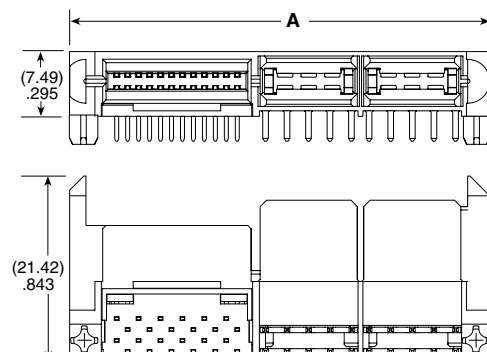
View complete specifications at: [samtec.com?LPHT](http://samtec.com?LPHT)

**LPHS**  
Board Mates:  
LPHT



**-VP**

SIGNAL POSITIONS	POWER POSITIONS									
	A (-02)	B (-02)	A (-04)	B (-04)	A (-06)	B (-06)	A (-08)	B (-08)	A (-10)	B (-10)
-16	(31.64) 1.918	(25.88) 1.019	(43.64) 1.718	(37.88) 1.491	(55.64) 2.191	(49.88) 1.964	(67.64) 2.633	(61.88) 2.436	(79.64) 3.135	(73.88) 2.909
-20	(34.18) 1.346	(28.42) 1.119	(46.18) 1.818	(40.42) 1.591	(58.18) 2.291	(52.42) 2.064	(70.18) 2.763	(64.42) 2.536	(82.18) 3.235	(76.42) 3.009
-24	(36.72) 1.446	(30.96) 1.219	(48.72) 1.918	(42.96) 1.691	(60.72) 2.391	(54.96) 2.164	(72.72) 2.863	(66.96) 2.636	(84.72) 3.335	(78.96) 3.109
-32	(41.80) 1.646	(36.04) 1.419	(53.80) 2.118	(48.04) 1.891	(65.80) 2.591	(60.04) 2.364	(78.00) 3.063	(72.04) 2.836	(89.80) 3.535	(84.04) 3.309



**-RT**

View complete specifications at: [samtec.com?LPHS](http://samtec.com?LPHS)

# Mouser Electronics

Authorized Distributor

Click to View Pricing, Inventory, Delivery & Lifecycle Information:

## Samtec:

[LPHS-04-24-L-VP1-GP](#) [LPHS-10-16-L-VP1](#) [LPHS-06-16-L-RT1-GP](#) [LPHS-06-20-L-RT1-GP](#) [LPHS-06-20-L-VP1-GP](#)  
[LPHS-06-24-L-VP1-GP](#) [LPHS-08-32-L-VP1-GP](#) [LPHS-08-24-L-RT1-GP](#) [LPHS-08-24-L-VP1-GP](#) [LPHS-06-28-L-RT1-GP](#)  
[LPHS-08-28-S-VP1-GP](#) [LPHS-04-32-S-VP1-GP](#) [LPHS-06-24-S-VP1-GP](#) [LPHS-08-32-L-RT1-GP](#) [LPHS-04-20-L-VP1-GP](#)  
[LPHS-08-20-L-VP1-GP](#) [LPHS-04-20-S-VP1-GP](#) [LPHS-04-32-S-RT1-GP](#) [LPHS-04-32-L-VP1-GP](#) [LPHS-04-24-L-RT1-GP](#)  
[LPHS-04-32-L-RT1-GP](#) [LPHS-06-24-L-RT1-GP](#) [LPHS-08-32-S-VP1-GP](#) [LPHS-04-16-L-RT1-GP](#) [LPHS-04-20-L-RT1-GP](#)  
[LPHS-08-28-L-RT1-GP](#) [LPHS-10-16-S-RT1-GP](#) [LPHS-04-16-L-RT1](#) [LPHS-08-24-S-RT1-GP](#) [LPHS-02-24-L-RT1-GP](#)  
[LPHS-02-24-L-VP1](#) [LPHS-04-24-L-RT2-GP](#) [LPHS-04-32-L-RT2-GP](#) [LPHS-10-32-L-VP1](#) [LPHS-02-16-S-VP1-GP](#)  
[LPHS-10-16-S-RT2](#) [LPHS-02-32-L-VP1](#) [LPHS-10-16-S-VP1-GP](#) [LPHS-02-16-L-RT2-GP](#) [LPHS-02-24-L-RT1](#)  
[LPHS-02-32-S-RT2-GP](#) [LPHS-04-16-L-VP1-GP](#) [LPHS-04-32-S-RT2-GP](#) [LPHS-02-16-L-RT1](#) [LPHS-02-16-L-RT1-GP](#)  
[LPHS-04-00-S-VP1](#) [LPHS-08-24-L-VP1](#) [LPHS-08-32-L-VP1](#) [LPHS-10-16-L-VP1-GP](#) [LPHS-02-16-S-VP1](#) [LPHS-06-16-L-VP1-GP](#)  
[LPHS-08-16-L-VP1](#) [LPHS-02-00-L-VP1](#) [LPHS-04-00-L-VP1-GP](#) [LPHS-02-28-L-VP1](#) [LPHS-04-24-L-RT1](#) [LPHS-10-16-S-RT2-GP](#)  
[LPHS-02-16-L-VP1](#) [LPHS-04-16-L-VP1](#) [LPHS-04-16-S-RT2-GP](#) [LPHS-06-16-L-VP1](#) [LPHS-06-24-L-VP1](#)  
[LPHS-04-00-L-VP1](#) [LPHS-02-24-S-RT1-GP](#) [LPHS-10-32-L-VP1-GP](#) [LPHS-02-24-S-VP1-GP](#) [LPHS-04-24-L-RT2](#)  
[LPHS-04-24-L-VP1](#) [LPHS-10-24-L-VP1](#) [LPHS-10-32-S-VP1-GP](#) [LPHS-00-16-L-VP1](#) [LPHS-00-24-L-VP1](#)  
[LPHS-02-16-L-VP1-GP](#) [LPHS-02-20-L-RT1-GP](#) [LPHS-02-20-L-VP1-GP](#) [LPHS-02-32-L-RT1-GP](#) [LPHS-10-32-L-RT2-GP](#)  
[LPHS-10-32-L-RT1](#) [LPHS-06-32-L-VP1-GP](#) [LPHS-04-28-L-RT1-GP](#) [LPHS-06-32-L-RT1-GP](#) [LPHS-08-16-L-RT1-GP](#)  
[LPHS-02-32-L-RT2-GP](#) [LPHS-04-32-L-RT1](#) [LPHS-06-16-L-RT2-GP](#) [LPHS-06-32-L-RT2-GP](#) [LPHS-08-24-L-RT1](#)  
[LPHS-10-16-L-RT1-GP](#) [LPHS-02-32-L-VP1-GP](#) [LPHS-04-16-L-RT2-GP](#) [LPHS-04-28-L-VP1](#) [LPHS-08-16-L-VP1-GP](#)  
[LPHS-10-24-L-VP1-GP](#) [LPHS-02-16-L-RT2](#) [LPHS-02-16-S-RT2-GP](#) [LPHS-04-16-S-RT1](#) [LPHS-06-16-S-RT2-GP](#)  
[LPHS-02-24-S-RT2-GP](#) [LPHS-04-20-S-RT1](#) [LPHS-02-16-S-RT2](#)