

Customer Information Sheet

DRAWING No.: S7061-XXR

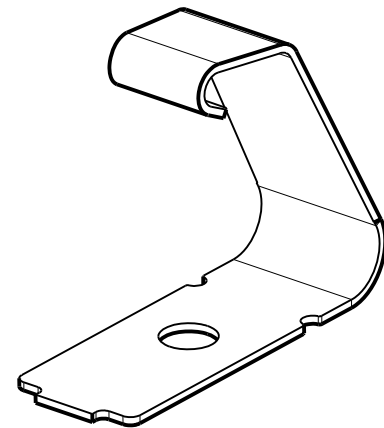
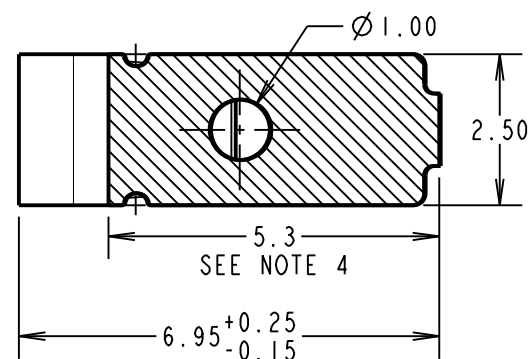
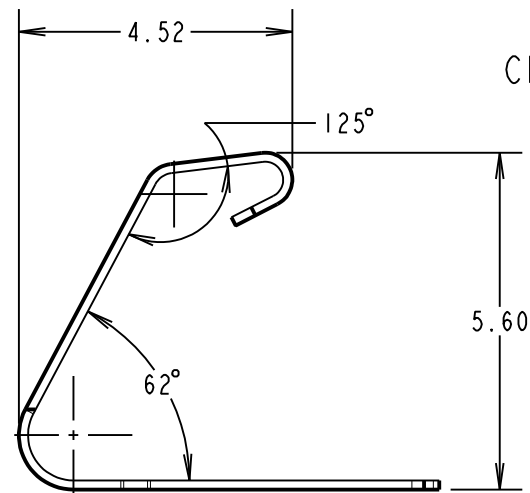
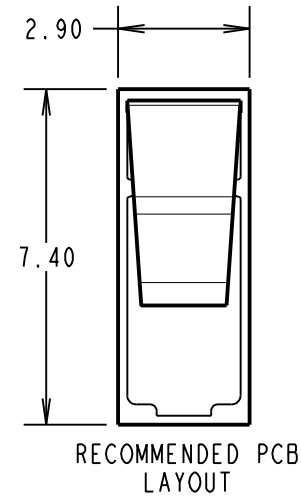
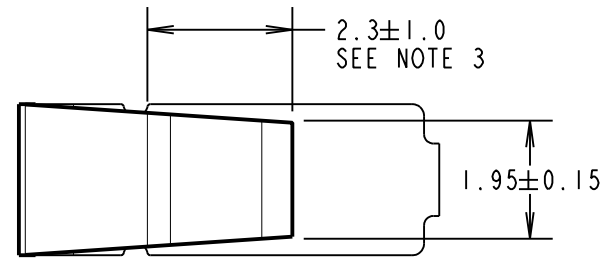
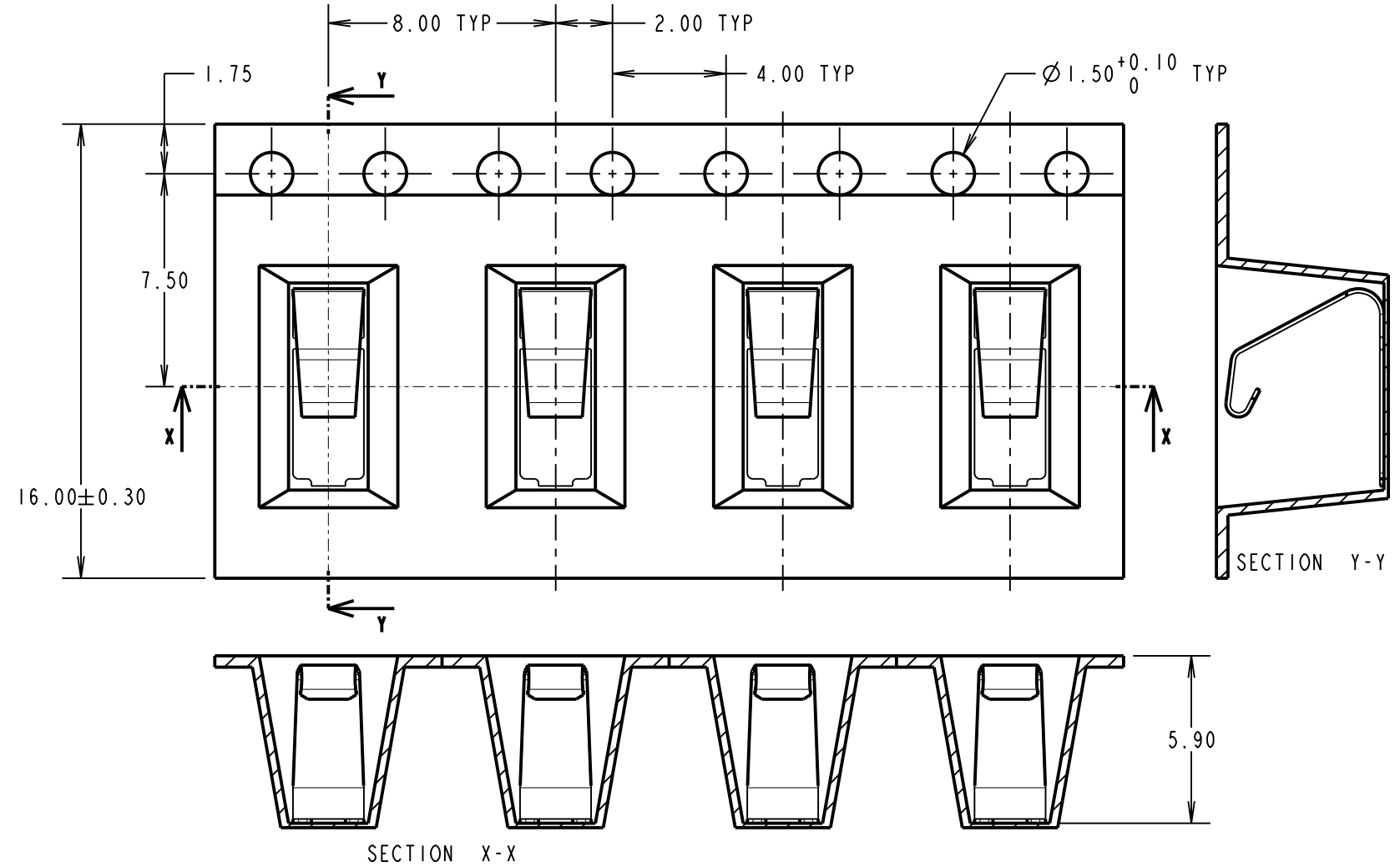
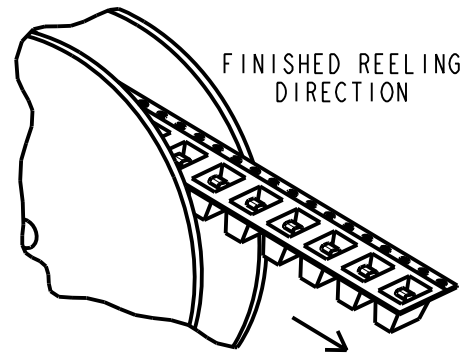
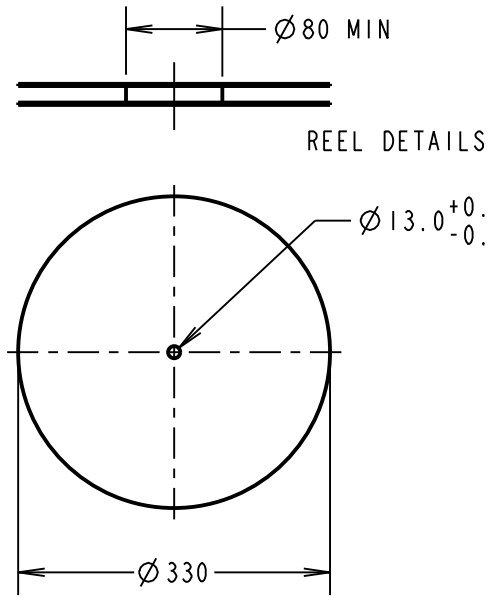
IF IN DOUBT - ASK

©

NOT TO SCALE

THIRD ANGLE PROJECTION

ALL DIMENSIONS IN mm



COMPONENT SPECIFICATION

MATERIAL:

42 = TITANIUM COPPER ALLOY, 0.15mm THICK
46 = BERYLLIUM COPPER ALLOY, 0.15mm THICK

FINISH:

42 = 2.4µm MIN 100% TIN ON FOOT AREA,
GOLD FLASH ON CONTACT,
0.7µm MIN NICKEL ALL OVER.
46 = 2.4µm MIN 100% TIN OVER
0.7µm MIN NICKEL ALL OVER.

ELECTRICAL:

CURRENT RATING = 4A MAX
CONTACT RESISTANCE = 20mΩ MAX

MECHANICAL:

RECOMMENDED WORKING HEIGHT = 4.60mm / MIN FORCE = 1.2N
RECOMMENDED MINIMUM WORKING HEIGHT = 4.10mm
DURABILITY = 2500 CYCLES

ENVIRONMENTAL:

OPERATING TEMPERATURE = -55°C TO +125°C

NOTES:

- QUANTITY OF COMPONENTS PER REEL:
S706-42R = 1500,
S706-46R = 1200.
- THIS PRODUCT IS TAPED AND REELED IN GENERAL ACCORDANCE WITH EIA-481-2 (ELECTRONICS INDUSTRIES ASSOCIATION).
- GOLD PLATING AREA ON S7061-42R.
- TIN PLATING AREA ON S7061-42R.

ORDER CODE:

S7061-XXR

FINISH:

42 - SELECTIVE GOLD & TIN
OVER NICKEL
46 - TIN OVER NICKEL

MGP	12	22.11.19	22097
NAME	ISS.	DATE	C/NOTE
APPROVED: MGP			
CHECKED: MR			
DRAWN: S.BENNETT			
CUSTOMER REF.:			
ASSEMBLY DRG:			

HARWIN

www.harwin.com
technical@harwin.com

THIS DRAWING AND ANY INFORMATION OR DESCRIPTIVE MATTER SET OUT HEREON ARE CONFIDENTIAL AND COPYRIGHT PROPERTY OF THE HARWIN GROUP AND MUST NOT BE DISCLOSED, LOANED, COPIED OR USED FOR MANUFACTURING, TENDERING OR FOR ANY OTHER PURPOSE WITHOUT THEIR WRITTEN PERMISSION.

TOLERANCES

X. = ±1mm
X.X = ±0.50mm
X.XX = ±0.20mm
X.XXX = ±0.01mm

ANGLES = ±5°
UNLESS STATED

MATERIAL:

SEE ABOVE

FINISH: SEE ABOVE

S/AREA:

mm²

TITLE:

SMT SHIELD FINGER
IN TAPE AND REEL

DRAWING NUMBER:

S7061-XXR

SHT
3 OF 3