

# SERIES TL1105 SWITCHES

TACT SWITCHES - 6mm x 6mm

TACT SWITCHES

NAVIGATION SWITCHES

PUSHBUTTON SWITCHES

TOGGLE SWITCHES

ROCKER SWITCHES

SLIDE SWITCHES

SNAP-ACTION SWITCHES

DIP SWITCHES

KEYLOCK SWITCHES

ROTARY SWITCHES

DETECTOR SWITCHES

CAP OPTIONS



## SPECIFICATIONS

Contact Rating:	50mA @ 12 VDC (50mA @ 50VDC-gold)
Life Expectancy:	100,000 cycles
Contact Resistance:	100mΩ max., typical @ 2-4 VDC 100mA for both silver and gold plated contacts
Insulation Resistance:	100MΩ min.
Dielectric Strength:	250 VAC
Actuation Force:	100 ± 50 gf, 160 ± 50 gf, 250 ± 50 gf
Operating Temperature:	-20°C to 70°C
Travel:	0.25 Typ

## MATERIALS

Housing:	Nylon or PBT
Actuator:	Nylon, Acetal or PBT
Cover:	Polyester
Contacts:	Gold or silver plated
Terminals:	Silver plated brass

### FEATURES & BENEFITS

- ▶ Reliable dome contact technology
- ▶ Strong tactile/audible feedback
- ▶ Multiple operating force options

### APPLICATIONS/MARKETS

- ▶ Telecommunications
- ▶ Consumer Electronics
- ▶ Audio/visual
- ▶ Medical
- ▶ Testing/instrumentation
- ▶ Computer/servers/peripherals

## HOW TO ORDER

SERIES	MODEL NO.	ACTUATOR ("L" Dimension)	OPERATING FORCE	CONTACT MTL./TERMINATION	CAP (Where Avail.)	CAP COLOR
TL TLE = Earth Ground	1105	(None) = 4.3mm A = 5.0mm B = 9.5mm C = 8.0mm D = 13.0mm E = 7.3mm F = 7.0mm G = 9.7mm H = 12.5mm K = 13.5mm L = 17.0mm P = 8.5mm Y = 16.3mm T = 2.4mm <input type="checkbox"/> SP = 2.8mm <input type="checkbox"/>	F100 F160 F250	Q = Silver R = Gold	See Cap Options Caps available for SP option only.	

- Square Snap-on Actuator Head  
"L" Dimension is 7.5mm

TL	1105 (Rt. Angle)	V = 3.85mm W = 3.15mm X = 5.85mm R = 6.15mm M = 6.85mm S = 8.35mm N = 11.85mm Q = 15.85mm J = 2.4mm <input type="checkbox"/> JA = 2.8mm <input type="checkbox"/>	F100 F160 F250	Q = Silver R = Gold	See Cap Options Caps available for JA option only.	
----	---------------------	---	----------------------	------------------------	---	--

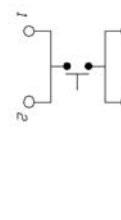
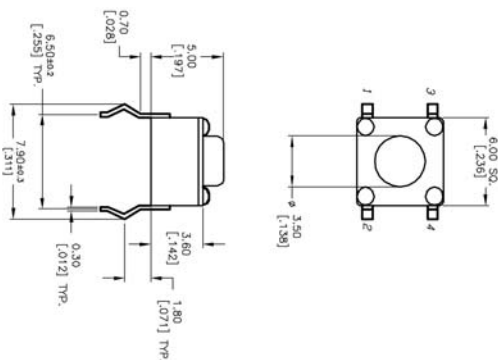
- Square Snap-on Actuator Head  
"L" Dimension is 6.35mm

▶ ▶ ▶ Example Ordering Number  
TL-1105-SP-F160-Q-1R RED

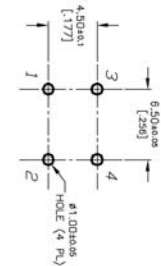
Specifications subject to change without notice 2.28.2018



### TL 1105



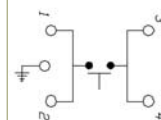
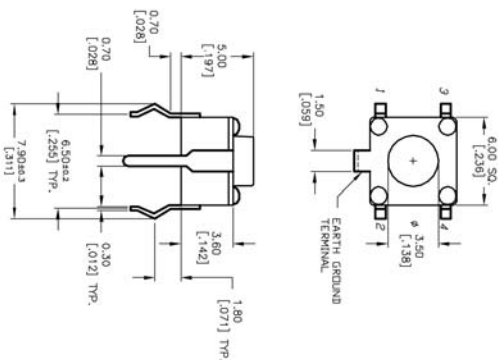
SCHEMATIC



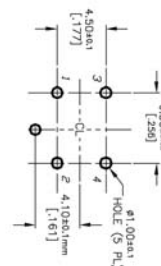
P.C. MOUNTING

### TLE 1105

TLE (EARTH TERMINAL)



SCHEMATIC

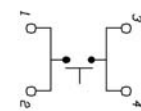
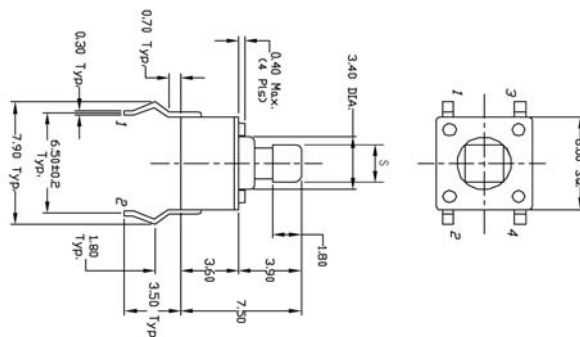


P.C. MOUNTING

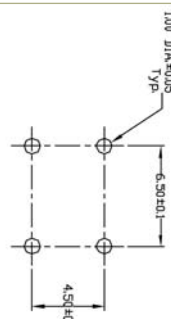
### TL 1105 T



Model No.	'S' Dim.
TL1105T	2.4 mm
TL1105SP	2.8 mm



SCHEMATIC



P.C. MOUNTING

TACT SWITCHES

NAVIGATION SWITCHES

PUSHBUTTON SWITCHES

TOGGLE SWITCHES

ROCKER SWITCHES

SLIDE SWITCHES

SNAP-ACTION SWITCHES

DIP SWITCHES

KEYLOCK SWITCHES

ROTARY SWITCHES

DETECTOR SWITCHES

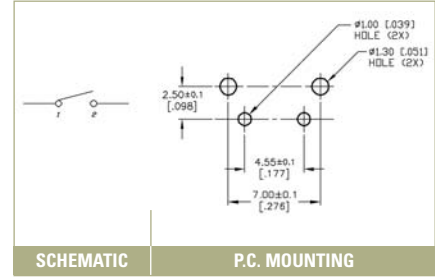
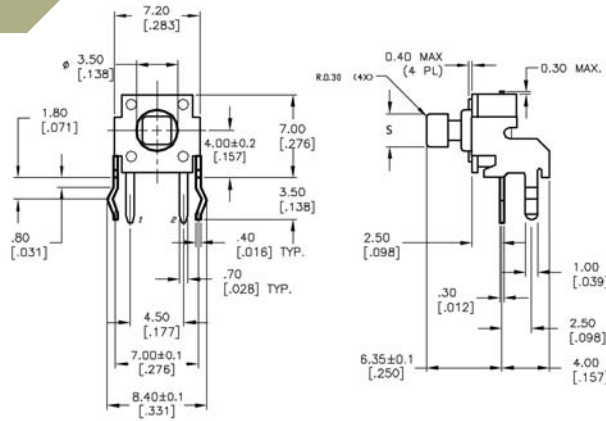
CAP OPTIONS

# SERIES TL1105 SWITCHES

TACT SWITCHES - 6mm x 6mm

TACT SWITCHES

## TL 1105 J



SCHEMATIC

P.C. MOUNTING

Model No.	'S' Dim.
TL1105J	2.4 mm
TL1105JA	2.8 mm

NAVIGATION SWITCHES

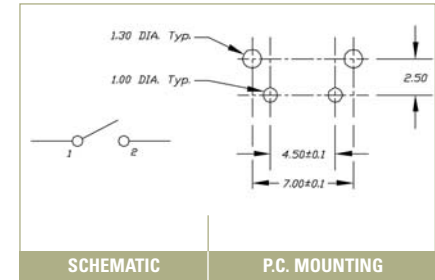
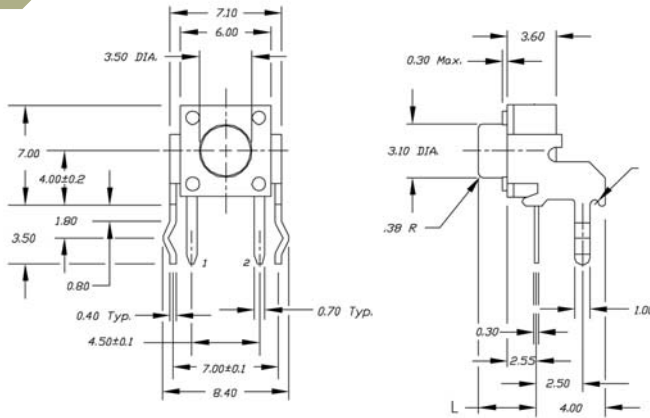
PUSHBUTTON SWITCHES

TOGGLE SWITCHES

ROCKER SWITCHES

## TL 1105

RIGHT ANGLE



SCHEMATIC

P.C. MOUNTING

SLIDE SWITCHES

SNAP-ACTION SWITCHES

DIP SWITCHES

KEYLOCK SWITCHES

ROTARY SWITCHES

DETECTOR SWITCHES

CAP OPTIONS

# Mouser Electronics

Authorized Distributor

Click to View Pricing, Inventory, Delivery & Lifecycle Information:

## E-Switch:

[TL1105BF250Q](#) [TL1105JAF250Q](#) [TL1105WF100Q](#) [TL1105EF250Q](#) [TL1105AF250Q](#) [TL1105SF250Q](#)  
[TL1105F160R](#) [TL1105RF160Q](#) [TL1105EF160Q](#) [TL1105QF160Q](#) [TL1105AF160Q](#) [TL1105MF160Q](#) [TL1105BF160Q](#)  
[TL1105JF160Q](#) [TL1105NF160Q](#) [TL1105V](#) [TL1105TF160Q](#) [TL1105SF160Q](#) [TL1105XF160Q](#) [TL1105CF160Q](#)  
[TL1105LF160Q](#) [TL1105WF160Q](#) [TL1105DF160Q](#) [TL1105WF250Q](#) [TL1105EF100Q](#) [TL1105SPF100Q](#)  
[TL1105MF250Q](#) [TL1105RF250Q](#) [TLE1105F160Q](#) [TL1105SF100Q](#) [TL1105CF250Q](#) [TL1105JAF160Q](#)  
[TL1105FF250QBLACKSTEM](#) [TL1105SPF160Q](#) [TL1105VF160Q](#) [TLE1105BF160Q](#) [TLE1105AF160Q](#)  
[TL1105BF100Q](#) [TL1105AF100Q](#) [TL1105LF250Q](#) [TL1105VF250Q](#) [TL1105DF100Q](#) [TL1105F100Q](#) [TL1105NF250Q](#)  
[TLE1105DF160Q](#) [TL1105JAF100Q](#) [TL1105LF100Q](#) [TL1105DF250Q](#) [TL1105RF100Q](#) [TL1105SPF250Q](#)  
[TL1105F160Q](#) [TL1105F250Q](#) [TL1105KF100Q](#) [TL1105AF160R](#) [TL1105HF250R](#) [TL1105SF160Q94V0](#) [TL1105JA-](#)  
[F160Q](#) [TL1105JA-F250Q](#) [TL1105PF160Q](#) [TL1105FF160Q](#) [TL1105GF160Q](#) [TL1105WF160Q-STD](#) [TL1105BF100R](#)  
[TL1105CF100Q](#) [TL1105CF160R](#) [TL1105DF160R](#) [TL1105FF100Q](#) [TL1105FF250Q](#) [TL1105GF250Q](#) [TL1105HF100Q](#)  
[TL1105HF160Q](#) [TL1105HF250Q](#) [TL1105JAF100Q1DBLK](#) [TL1105JAF100Q1RBLK](#) [TL1105JAF160Q1DBLK](#)  
[TL1105JAF160Q1DBLU](#) [TL1105JAF160Q1RBLK](#) [TL1105JAF160Q1RRED](#) [TL1105JAF160Q1RWHT](#)  
[TL1105JAF160Q1SBLK](#) [TL1105JAF160Q1SWHT](#) [TL1105JAF160R1RBLK](#) [TL1105JAF250Q1CBLK](#)  
[TL1105JAF250Q1DBLK](#) [TL1105JAF250Q1RBLK](#) [TL1105JAF250Q1SBLK](#) [TL1105JF100Q](#) [TL1105KF160Q](#)  
[TL1105KF250Q](#) [TL1105PF100Q](#) [TL1105PF250Q](#) [TL1105QF160R](#) [TL1105RF160R](#) [TL1105SF160R](#)  
[TL1105SPF100Q1RBLK](#) [TL1105SPF160Q1CBLK](#) [TL1105SPF160Q1RBLK](#) [TL1105SPF160Q1RRED](#)  
[TL1105SPF160Q1RWHT](#) [TL1105SPF160Q1SBLK](#)