

PLEASE CHECK WWW.MOLEX.COM FOR LATEST PART INFORMATION

Part Number: [15-31-1046](#)
Status: **Active**
Overview: Standard .093"
Description: 2.36mm Diameter Standard .093" Pin and Socket Header, Vertical, with Beveled Plastic Peg, 4 Circuits

Documents:

[3D Model](#) [RoHS Certificate of Compliance \(PDF\)](#)
[Drawing \(PDF\)](#)

Agency Certification

CSA LR19980
TUV R72081037

General

Product Family PCB Headers
Series [5219](#)
Application Power, Wire-to-Board
Overview [Standard .093"](#)
Product Name Standard .093"
UPC 800753622128

Physical

Breakaway No
Circuits (Loaded) 4
Circuits (maximum) 4
Durability (mating cycles max) 30
First Mate / Last Break No
Flammability 94V-2
Glow-Wire Compliant No
Guide to Mating Part No
Keying to Mating Part None
Lock to Mating Part Yes
Material - Plating Mating Tin
Material - Plating Termination Tin
Net Weight 3551.004/mg
Number of Rows 1
Orientation Vertical
PCB Locator Yes
PCB Retention Yes
PCB Thickness - Recommended 1.60mm
Packaging Type Bag
Pitch - Mating Interface 6.70mm
Polarized to PCB Yes
Shrouded Fully
Stackable No
Surface Mount Compatible (SMC) No
Temperature Range - Operating -40°C to +105°C
Termination Interface: Style Through Hole

Electrical

Current - Maximum per Contact 9A
Voltage - Maximum 600V

Material Info

Old Part Number 5219-04A

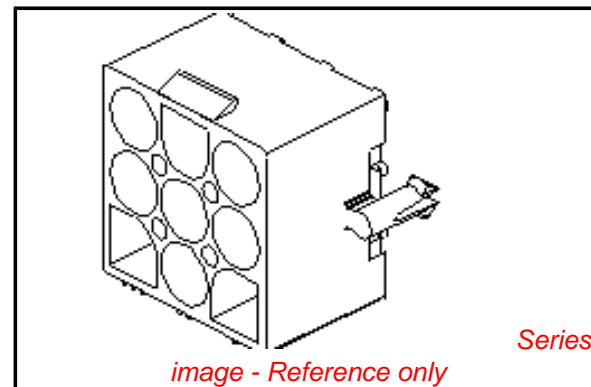


image - Reference only

EU RoHS

ELV and RoHS Compliant

REACH SVHC

Not Reviewed

Low-Halogen Status

Low-Halogen

China RoHS



Need more information on product environmental compliance?

Email productcompliance@molex.com
For a multiple part number RoHS Certificate of Compliance, [click here](#)

Please visit the [Contact Us](#) section for any non-product compliance questions.

Search Parts in this Series

[5219Series](#)

Mates With

[3191 Pin and Socket Receptacle Housing](#)

Reference - Drawing Numbers

Product Specification
Sales Drawing

RPS-3191-002
SD-5219-003, SD-5219-04A*

This document was generated on 01/17/2013

PLEASE CHECK WWW.MOLEX.COM FOR LATEST PART INFORMATION