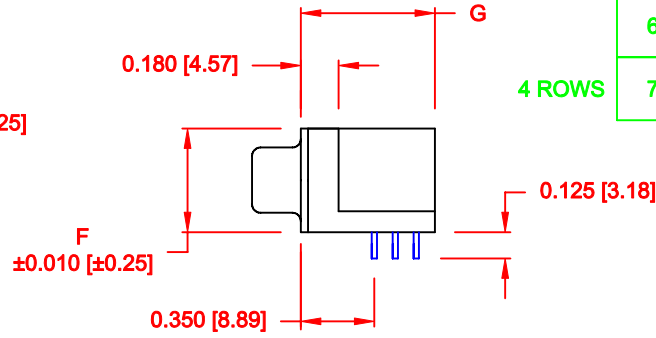
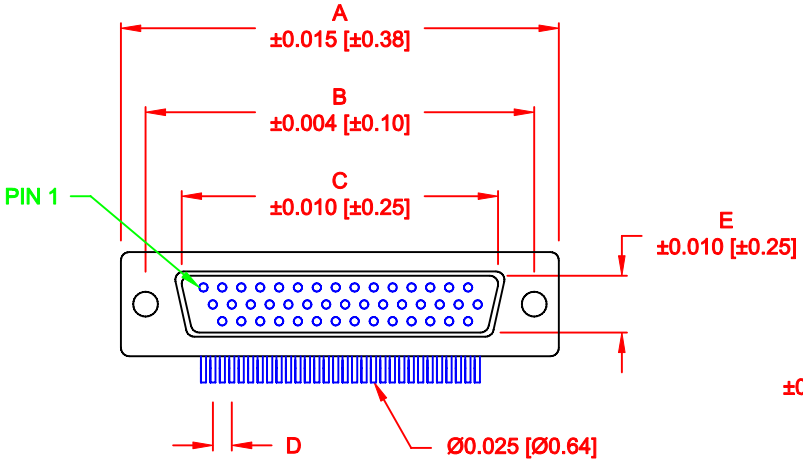


DESCRIPTION: HIGH DENSITY - MALE - RIGHT ANGLE

44 PIN SHOWN

DIMENSIONS (IN.)							
No. OF PINS	A	B	C	D	E	F	G
15	1.213	0.984	0.666	0.090	0.329	0.496	0.639
	30.80	24.99	16.92	2.29	8.36	12.60	16.23
26	1.543	1.312	0.994	0.090	0.329	0.496	0.639
	39.19	33.32	25.25	2.29	8.36	12.60	16.23
44	2.087	1.852	1.534	0.090	0.329	0.496	0.639
	53.00	47.04	38.96	2.29	8.36	12.60	16.23
62	2.732	2.500	2.156	0.095	0.329	0.496	0.639
	69.30	63.50	54.76	2.41	8.36	12.60	16.23
78	2.644	2.406	2.081	0.095	0.422	0.555	0.701
	67.16	61.11	52.86	2.41	10.72	14.10	17.80



4 ROWS

181-YYY-1 1 3 R YY 1

- SERIES 181-YYY-1
- POSITIONS 1 1 3 R YY 1
- 015
- 026
- 044
- 062
- 078
- GENDER 1 = MALE
- TERMINATION 1 = DIP SOLDER
- SHELL PLATING 3 = NICKEL PLATED
- RoHS COMPLIANT (HIGH TEMP. PROCESS)
- HARDWARE OPTIONS 00 = NO HARDWARE
- 01 = .098" CLINCH NUT (BOARD SIDE)
- 02 = .250" CLINCH NUT (BOARD SIDE)
- 03 = .250" CLINCH NUT (MOUNTING SIDE)
- 05 = .225" 4-40 BOARD LOCK
- 91 = .225" 4-40 SPACER/ BOARD LOCK
- PLATING OPTIONS 1 = GOLD FLASH

ELECTRICAL:

- CURRENT RATING: 2 AMPS
- CONTACT RESISTANCE: 15 MILLIOhms Max.
- INSULATION RESISTANCE: 1,000 MEGOhms Min.
- VOLTAGE: 500V FOR 1 MINUTE
- TEMPERATURE: -50°C TO +100°C

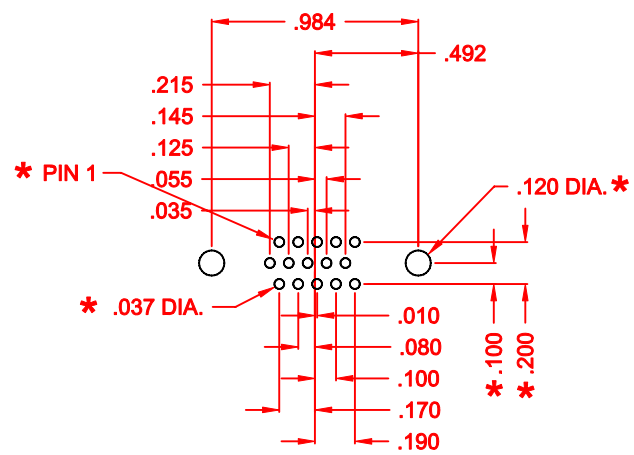
MATERIALS:

- SHELL: STEEL, NICKEL PLATED
- INSULATOR: NYLON 9T-BLACK (UL94-0)
- CONTACT: BRASS, GOLD ENTIRE CONTACT

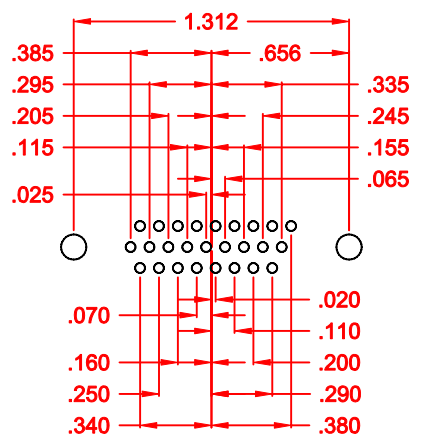
DO NOT SCALE FROM DRAWING

RoHS COMPLIANT

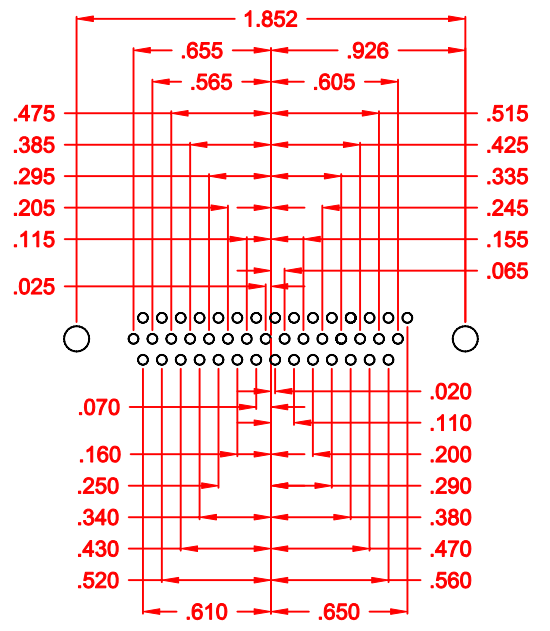
	THESE DRAWINGS AND SPECIFICATIONS ARE THE PROPERTY OF NorComp AND SHALL NOT BE REPRODUCED, COPIED OR USED AS THE BASIS FOR THE MANUFACTURE OR SALE OF APPARATUS WITHOUT WRITTEN PERMISSION.		DRAWN: PAM JENKINS	DATE: 03-17-05
			CHECKED:	DATE:
NorComp	SCALE:	SHEET 1 OF 3	REV 6	
	DWG NO. 181-YYY-113RYY1			



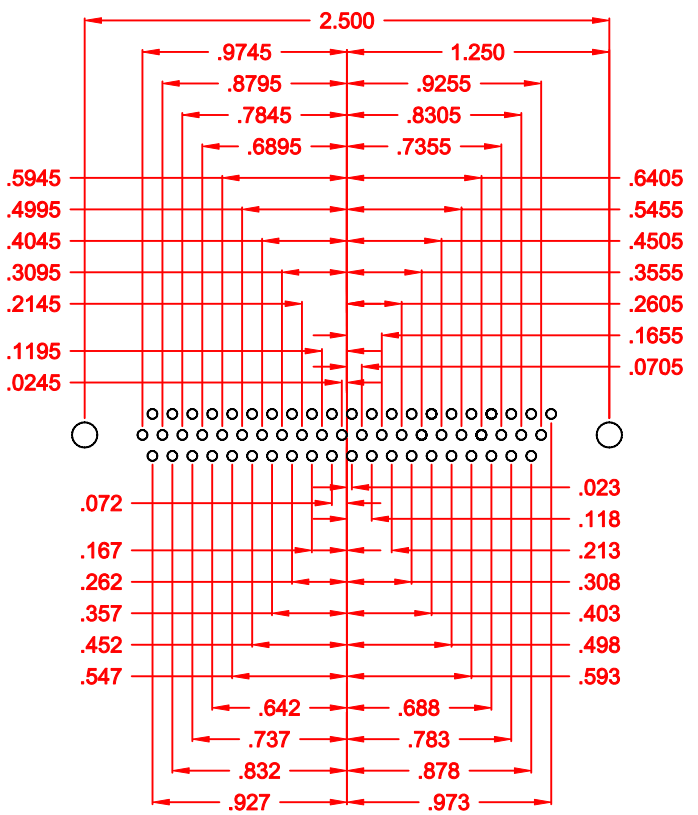
15 POSITION



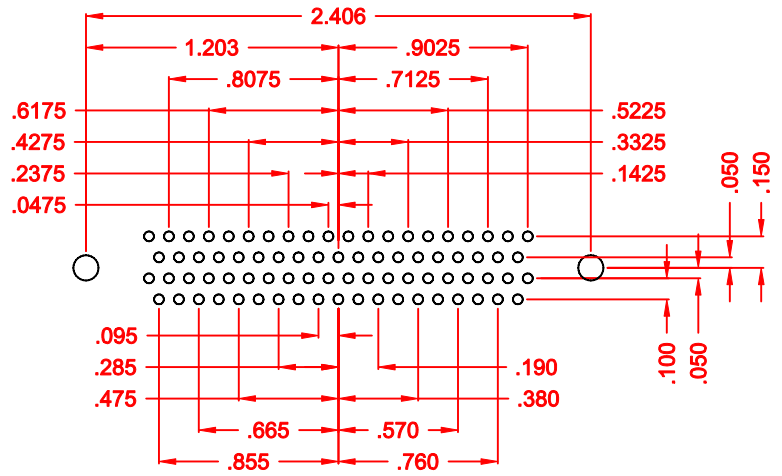
26 POSITION



44 POSITION



62 POSITION




78 POSITION

181 SERIES
HIGH DENSITY
RIGHT ANGLE

HOLE PATTERN SHOWN
ARE FOR MALE

* TYP. ON ALL SIZES

DO NOT SCALE FROM DRAWING

	THESE DRAWINGS AND SPECIFICATIONS ARE THE PROPERTY OF NorComp AND SHALL NOT BE REPRODUCED, COPIED OR USED AS THE BASIS FOR THE MANUFACTURE OR SALE OF APPARATUS WITHOUT WRITTEN PERMISSION.		DRAWN: C. SMITH	DATE: 03-09-06
			CHECKED:	DATE:
NorComp		SCALE: FULL	SHEET 2 OF 3	REV 6
		DWG NO. 181-YYY-113RYY1		

	<p>0.141 ±0.020</p> <p>METAL SHELL WITH INSIDE GROUND STRAPS</p>	<p>METAL SHELL</p>	<p>METAL SHELL FORK BOARD LOCKS</p>
<p>.120" DIA. HOLE</p>	16	43	N/A
<p>4-40 FLUSH INSERT</p>	17	45	53 BOARD LOCKS IN FRONT HOLE
<p>4-40 HEX STANDOFF FEMALE SCREWLOCK</p>	18	48	56 BOARD LOCKS IN FRONT HOLE

RoHS COMPLIANT

	THESE DRAWINGS AND SPECIFICATIONS ARE THE PROPERTY OF NorComp AND SHALL NOT BE REPRODUCED, COPIED OR USED AS THE BASIS FOR THE MANUFACTURE OR SALE OF APPARATUS WITHOUT WRITTEN PERMISSION.		DRAWN: WAYNE ROBBINS	DATE: 03-17-05
			CHECKED:	DATE:
<h1>NorComp</h1>		SCALE:	SHEET 3 OF 3	REV 6
		DWG NO. 181-YYY-113RYY1		