

FCI CONFIDENTIAL



This document is the property of and embodies CONFIDENTIAL and PROPRIETARY information of FCI. No part of the information shown on this document may be used in any way or disclosed to others without the written consent of FCI. Copyright FCI.

PRODUCT NUMBER  
20020618-MXX1A01LF

20020618 - □ □ □ 1 A 0 1 L F

PITCH

M: 7.62 mm

POLES

02: 2 POLES  
03: 3 POLES  
04: 4 POLES  
---  
16: 16 POLES

PROPERTY TABLE	
FCI SERIES NAME	07-762
PITCH (mm)	7.62
VOLTAGE RATING (VAC)	300
CURRENT RATING (A)	32
WITHSTANDING VOLTAGE (kV)	1.6
OPERATING TEMP. (°C)	-40~115
SOLDERING TEMP. (°C)	250±10 (5 sec.)
POLES AVAILABLE	02~16
SAFETY CERTIFICATE	

NOTES:

- MATERIALS  
1-1 HOUSING: THERMALPLASTIC RESIN, UL 94V-0 RATED, COLOR GREEN.  
1-2 TERMINAL: COPPER, TIN PLATED.
- PRODUCT SPECIFICATION REFER TO FCI GS-12-625.
- BOXED PACKAGING,  
DETAILED PRODUCT PACKING SPECIFICATION REFER TO FCI GS-14-1394.
- FCI, SAFETY CERTIFICATE LOGO AND SERIES NAME TO BE SHOWN ON PRODUCT SURFACE.

	rev	ecn no	dr	date
TOLERANCES UNLESS OTHERWISE SPECIFIED	A	DG09-0203	BF	062509
	B	T09-1148	BF	111709
LINEAR	X	±0.5	-	-
	X.X	±0.30	-	-
	X.XX	±0.10	-	-
ANGULAR	X°	±1°	-	-

Material		Spec ref *	
Mat code		tolerance	projection
Heattreat		✓	⊕
Plating/Finish			MM
Dr	BEER FU 062509	size	A4
Eng	BEER FU 062509	Product family	Scale
Chr	GARY HSIEH 062509	Model Name	ECN T09-1148
Appr	JOSEPH HSIA 062509	Model Revision	REL Level RELEASED
	title	no	Rev.
	TERMINAL BLOCK	20020618	B
	Pluggable socket, right angle		
Pro/E file	catalog no	CUSTOMER	sheet 1 of 2

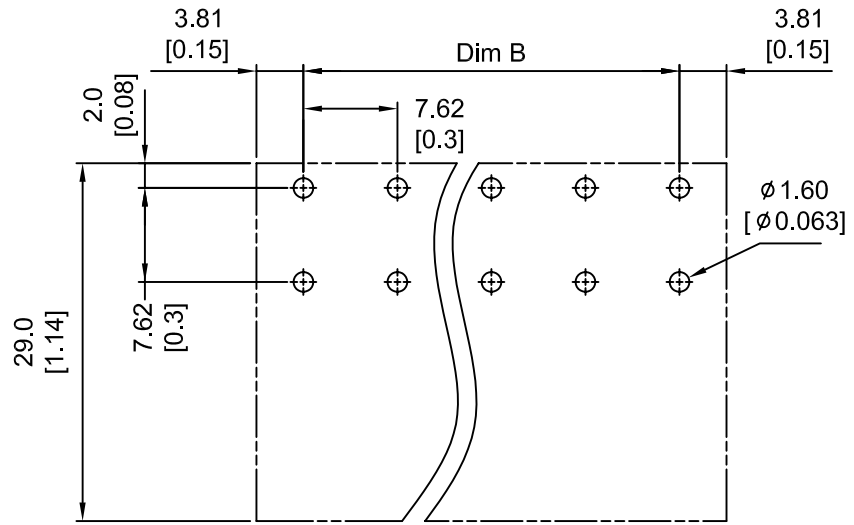
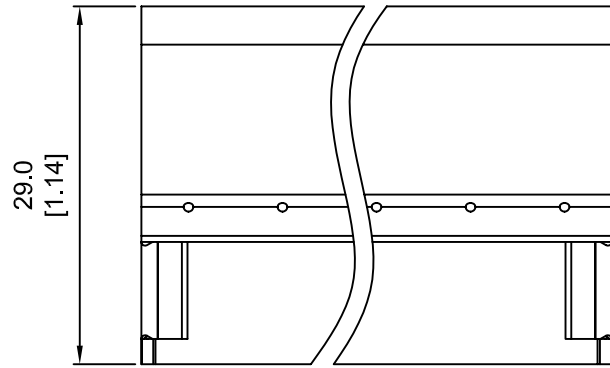
REV F: 2009-04-17

FCI CONFIDENTIAL

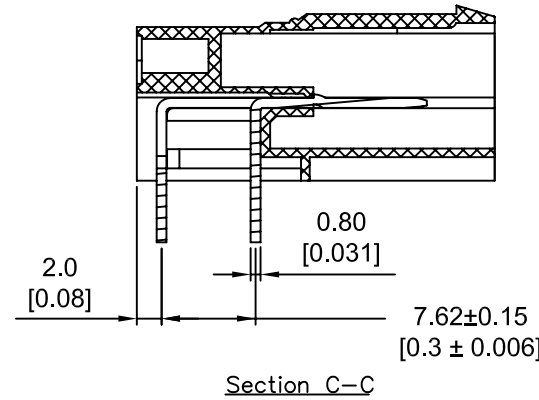
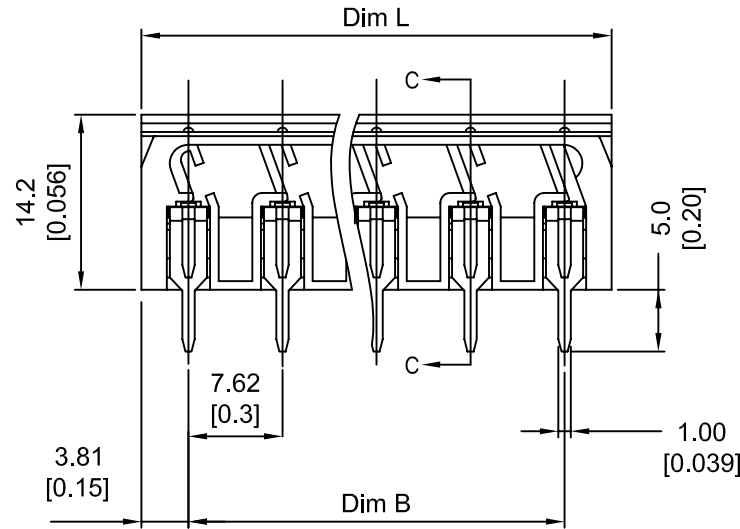


This document is the property of and embodies CONFIDENTIAL and PROPRIETARY information of FCI. No part of the information shown on this document may be used in any way or disclosed to others without the written consent of FCI. Copyright FCI.

PRODUCT NUMBER	SERIES NAME	PITCH
20020618-MXX1A01LF	07-762	7.62 mm



P.C.B LAYOUT



N = Number of poles  
 Dim L =  $N \times 7.62 [0.300]$   
 Dim B =  $(N-1) \times 7.62 [0.300]$

TOL.	Dim L	Dim B
2-5p	$\pm 0.20 [0.008]$	
6-10p	$\pm 0.30 [0.012]$	
11-13p	$\pm 0.35 [0.014]$	
14-16p	$\pm 0.40 [0.016]$	

Material		Spec ref		
Mat code		tolerance	projection	MM
Heattreat				
Plating/Finish		size	A4	Scale
Dr	BEER FU 062509			
Eng	BEER FU 062509	Product family		
Chr	GARY HSIEH 062509	Model Name		ECN T09-1148
Appr	JOSEPH HSIA 062509	Model Revision		REL Level RELEASED
FCI	title		chg no	Rev.
	TERMINAL BLOCK			
Pro/E file	catalog no		CUSTOMER	sheet 2 of 2

REV F: 2008-04-17