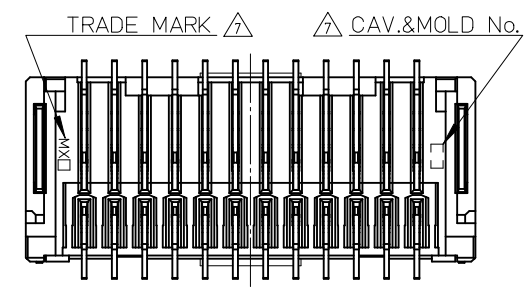
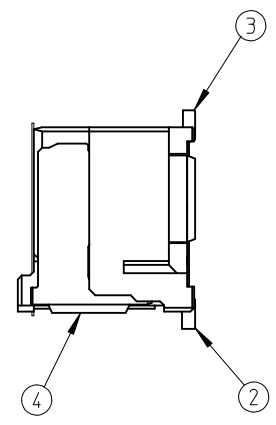
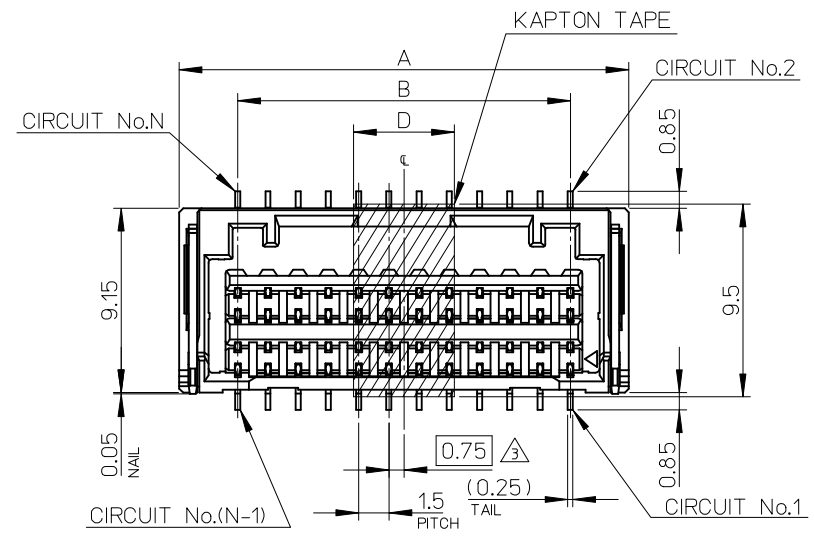


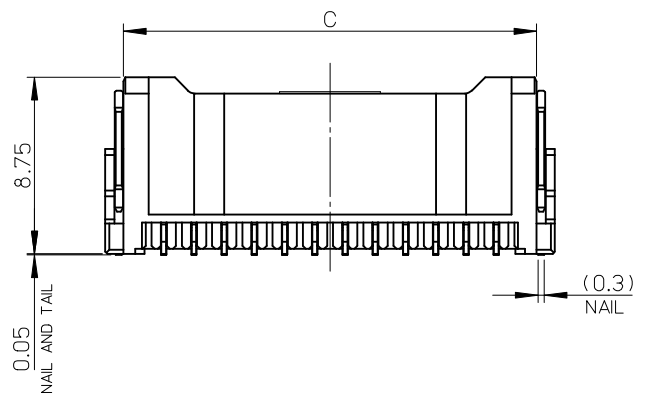
No.	PART	MATERIAL
①	HOUSING	耐熱性樹脂 UL94V-0 HEATPROOF RESIN UL94V-0
②	TERMINAL A	銅合金 COPPER ALLOY 錫メッキ: 1.0 micro-meter MIN. TIN
③	TERMINAL B	ニッケルメッキ(下地): 1.0 micro-meter MIN. NICKEL (UNDER PLATING)
④	NAIL	銅合金 COPPER ALLOY 錫メッキ: 1.0 micro-meter MIN. TIN ニッケルメッキ(下地): 1.0 micro-meter MIN. NICKEL (UNDER PLATING)



10極ハウジング形状  
(HOUSING FORM OF 10CKT)  
SCALE 2:1



503154 - 289*	4	23.5	19.5	25.3	28
503154 - 249*	4	20.5	16.5	22.3	24
503154 - 209*	4	17.5	13.5	19.3	20
503154 - 169*	4	14.5	10.5	16.3	16
503154 - 129*	3	11.5	7.5	13.3	12
503154 - 109*	3	10	6	11.8	10
EMBOSSED TAPE PACKAGE					
オーダー番号 ORDER No.	D	C	B	A	CIRCUIT



REVISED EC NO: J2010-0024 DRWN:THANYU 2009/07/03 CHKD:KASAKAWA 2009/07/05 APPR:NUKITA 2009/07/06	GENERAL TOLERANCES (UNLESS SPECIFIED)		DIMENSION STYLE <b>MM ONLY</b>		SCALE <b>4:1</b>		DESIGN UNITS <b>METRIC</b>		THIRD ANGLE PROJECTION	
	10 UNDER	±0.2	DRAWN BY	DATE	TITLE					
	10 OVER 30 UNDER	±0.25	T.HANYU	2007/11/27	<b>1.5 W/B CONN. DUAL ST REC. ASSY</b>					
	30 OVER	±0.3	CHECKED BY	DATE						
ANGULAR ±1 ° DRAFT WHERE APPLICABLE MUST REMAIN WITHIN DIMENSIONS		APPROVED BY Y.O. ITO 2007/11/27		MATERIAL NO. <b>SEE CHART</b>		DOCUMENT NO. <b>SD-503154-001</b>		SHEET NO. 1 OF 3		
THIS DRAWING CONTAINS INFORMATION THAT IS PROPRIETARY TO MOLEX INCORPORATED AND SHOULD NOT BE USED WITHOUT WRITTEN PERMISSION										

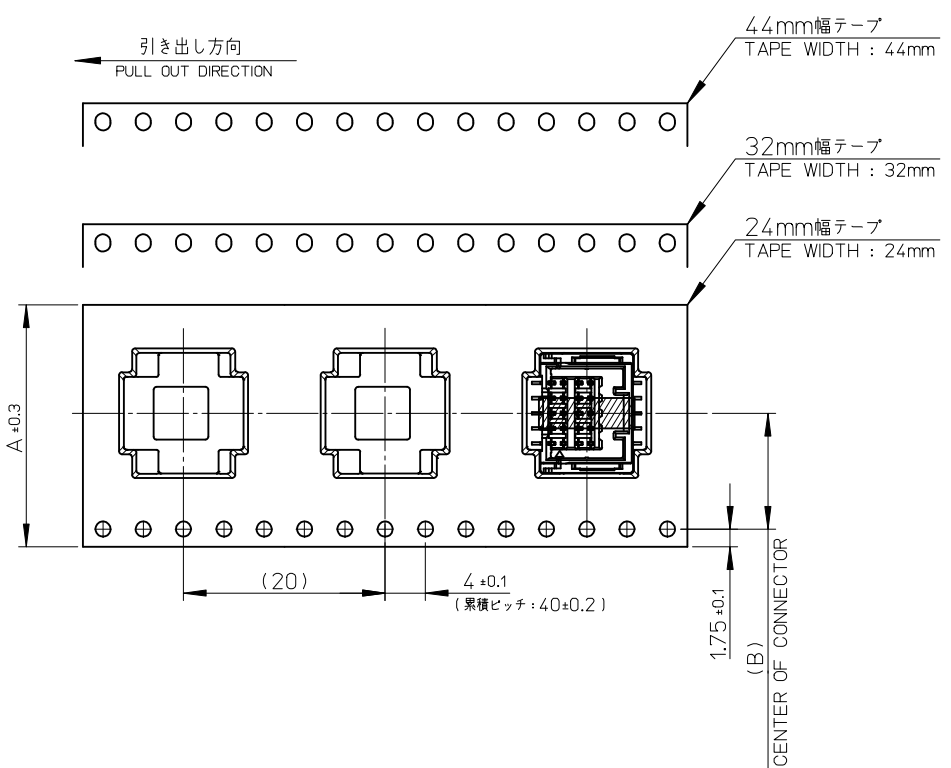
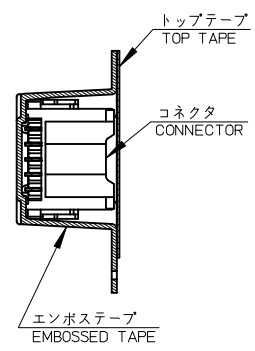
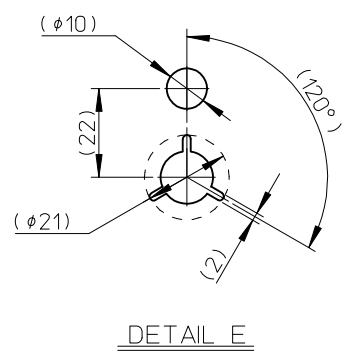
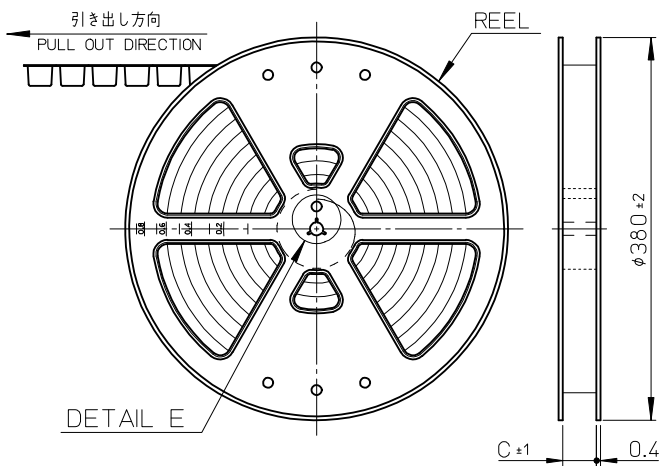


△ ORDER No. AND CONNECTOR SERIES No.

HOUSING COLOR : BEIGE (NATURAL)			HOUSING COLOR : BLACK			HOUSING COLOR : RED		
28	503154 - 2890	503154 - **90	503154 - 2891	503154 - **91	503154 - 2892	503154 - **92		
24	503154 - 2490		503154 - 2491		503154 - 2492			
20	503154 - 2090		503154 - 2091		503154 - 2092			
16	503154 - 1690		503154 - 1691		503154 - 1692			
12	503154 - 1290		503154 - 1291		503154 - 1292			
10	503154 - 1090		503154 - 1091		503154 - 1092			
CIRCUIT	EMBOSSSED TAPE PACKAGE オーダー番号 ORDER No.	CONNECTOR SERIES No. コネクタシリーズ番号	EMBOSSSED TAPE PACKAGE オーダー番号 ORDER No.	CONNECTOR SERIES No. コネクタシリーズ番号	EMBOSSSED TAPE PACKAGE オーダー番号 ORDER No.	CONNECTOR SERIES No. コネクタシリーズ番号		

HOUSING COLOR : BLUE			HOUSING COLOR : GREEN		
28	503154 - 2894	503154 - **94	503154 - 2896	503154 - **96	
24	503154 - 2494		503154 - 2496		
20	503154 - 2094		503154 - 2096		
16	503154 - 1694		503154 - 1696		
12	503154 - 1294		503154 - 1296		
10	503154 - 1094		503154 - 1096		
CIRCUIT	EMBOSSSED TAPE PACKAGE オーダー番号 ORDER No.	CONNECTOR SERIES No. コネクタシリーズ番号	EMBOSSSED TAPE PACKAGE オーダー番号 ORDER No.	CONNECTOR SERIES No. コネクタシリーズ番号	

REVISED EC NO: J2010-0024 DRWN: THANJU 2009/07/03 CHKD: KASAKAWA 2009/07/05 APPR: NUKITA 2009/07/06	GENERAL TOLERANCES (UNLESS SPECIFIED)		DIMENSION STYLE MM ONLY	SCALE 4:1	DESIGN UNITS METRIC	THIRD ANGLE PROJECTION
	10 UNDER	±0.2	DRAWN BY T. HANYU	DATE 2007/11/27	TITLE 1.5 W/B CONN. DUAL ST REC. ASSY	
	10 OVER 30 UNDER	±0.25	CHECKED BY K. ASAKAWA	DATE 2007/11/27	MOLEX INCORPORATED	
	30 OVER	±0.3	APPROVED BY YO. ITO	DATE 2007/11/27	MATERIAL NO. SEE CHART	DOCUMENT NO. SD-503154-001
	ANGULAR ±1 °	DRAFT WHERE APPLICABLE MUST REMAIN WITHIN DIMENSIONS	SIZE A3	THIS DRAWING CONTAINS INFORMATION THAT IS PROPRIETARY TO MOLEX INCORPORATED AND SHOULD NOT BE USED WITHOUT WRITTEN PERMISSION		



45.5	20.2	44	503154-289*	28
45.5	20.2	44	503154-249*	24
45.5	20.2	44	503154-209*	20
33.5	14.2	32	503154-169*	16
33.5	14.2	32	503154-129*	12
25.5	11.5	24	503154-109*	10
C	B	エンボステープ幅 A WIDTH OF TAPE	△ 製品番号 MATERIAL No.	CIRCUIT No.

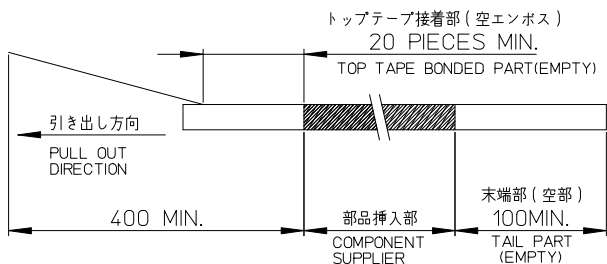
REVISED EC NO: J2009-2874 DRWN: THANU 2009/06/22 CHKD: KASAKAWA 2009/06/22 APPR: S. CHIKAWA 2009/06/23	GENERAL TOLERANCES (UNLESS SPECIFIED)		DIMENSION STYLE MM ONLY		SCALE 2:1	DESIGN UNITS METRIC	THIRD ANGLE PROJECTION
	10 UNDER	±0.2	DRAWN BY T. HANYU	DATE 2007/11/27	TITLE EMBOSSED TAPE PACKAGE FOR 503154-****		
	10 OVER 30 UNDER	±0.25	CHECKED BY K. ASAKAWA	DATE 2007/11/27			
	30 OVER	±0.3	APPROVED BY Y. ITO	DATE 2007/11/27	MOLEX INCORPORATED		
ANGULAR ±1 °	DRAFT WHERE APPLICABLE MUST REMAIN WITHIN DIMENSIONS	MATERIAL NO. SEE CHART	DOCUMENT NO. SD-503154-002	SHEET NO. 1 OF 2			

NOTE

1. 梱包数量 : 450個/リール  
NUMBER OF CONNECTORS : 450 PIECES/REEL
2. リードテープ長さ  
LEAD TAPE LENGTH

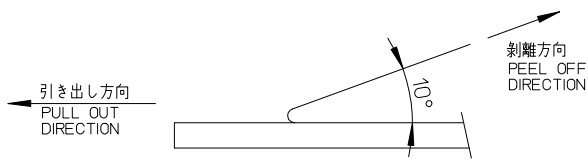
4. 製品詳細寸法については、SD-503154-001を参照して下さい。  
PLEASE REFER TO SD-503154-001 FOR THE DETAILED DIMENSION OF THE CONNECTOR.

△ MATERIAL No. AND CONNECTOR SERIES No.



3. トップテープの剥離強度 : 0.1~0.3 N (10.2~132.5gf)  
剥離方向は下記参照。  
PEELING OFF FORCE OF TOP TAPE  
PEELING DIRECTION AS SHOWN IN FOLLOWING FIGURE.

尚、本規格は出荷時に適用。(但し、輸送時に剥離が発生しない事)  
THIS REQUIREMENT SHOULD BE APPLIED AT SHIPMENT.  
PEEL OFF SHOLD NOT BE ALLOWED,DURING TRANSPORTION.



CIRCUIT No.	MATERIAL No.				
	黒 BLACK	赤 RED	青 BLUE	緑 GREEN	ベージュ BEIGE (NATURAL)
CIRCUIT No.28	503154-2891	503154-2892	503154-2894	503154-2896	503154-2890
CIRCUIT No.24	↑ 2491	↑ 2492	↑ 2494	↑ 2496	↑ 2490
CIRCUIT No.20	2091	2092	2094	2096	2090
CIRCUIT No.16	1691	1692	1694	1696	1690
CIRCUIT No.12	↓ 1291	↓ 1292	↓ 1294	↓ 1296	↓ 1290
CIRCUIT No.10	503154-1091	503154-1092	503154-1094	503154-1096	503154-1090
CONNECTOR SERIES No.	503154- **91	503154- **92	503154- **94	503154- **96	503154- **90

6. 材料  
MATERIAL  
キャリアテープ : ポリスチレン  
CARRIER TAPE : POLYSTYRENE  
トップテープ : ポリエステル、ポリエチレン、ポリエチレンテレフタレート  
TOP TAPE : POLYESTER,POLYETHYLENE,POLYETHYLENE TEREPHTHALATE  
リール : ポリスチレン(リサイクル材含む)  
REEL : POLYSTYRENE (RECYCLE MATERIAL CONTAINED)
7. ELV及びRoHS適合品  
ELV AND RoHS COMPLIANT

REVISED EC NO: J2009-2874 DRWN:THANYU 2009/06/22 CHKD:KASAKAWA 2009/06/22 APPR:SHIKAWA 2009/06/23	GENERAL TOLERANCES (UNLESS SPECIFIED)		DIMENSION STYLE MM ONLY	SCALE 2:1	DESIGN UNITS METRIC	THIRD ANGLE PROJECTION
	10 UNDER	±0.2	DRAWN BY T.HANYU	DATE 2007/11/27	TITLE EMBOSSSED TAPE PACKAGE FOR 503154-****	
	10 OVER 30 UNDER	±0.25	CHECKED BY K.ASAKAWA	DATE 2007/11/27	MOLEX INCORPORATED	
	30 OVER	±0.3	APPROVED BY YO.IITO	DATE 2007/11/27	MATERIAL NO. SD-503154-002	SHEET NO. 2 OF 2
B	ANGULAR ±1 ° DRAFT WHERE APPLICABLE MUST REMAIN WITHIN DIMENSIONS	SIZE A3	THIS DRAWING CONTAINS INFORMATION THAT IS PROPRIETARY TO MOLEX INCORPORATED AND SHOULD NOT BE USED WITHOUT WRITTEN PERMISSION			