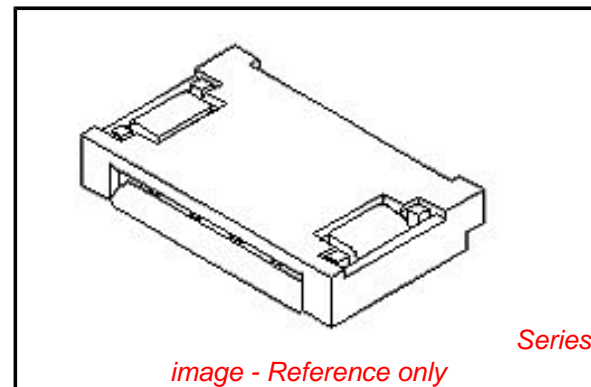


PLEASE CHECK WWW.MOLEX.COM FOR LATEST PART INFORMATION

Part Number: [51281-1694](#)
Status: **Active**
Overview: [FFC-FPC \(SMT\)](#)
Description: 0.50mm Pitch FFC/FPC Connector, SMT, Right Angle, Non-ZIF, Dual Contact Style, 1.20mm Mated Height, 16 Circuits, Lead-Free, Gold (Au) Plating

Documents:

[3D Model](#) [Packaging Specification SPK-51281-001 \(PDF\)](#)
[Drawing \(PDF\)](#) [RoHS Certificate of Compliance \(PDF\)](#)
[Product Specification PS-51281-003 \(PDF\)](#)



General

| | |
|----------------|-------------------------------|
| Product Family | FFC/FPC Connectors |
| Series | 51281 |
| Overview | FFC-FPC (SMT) |
| Product Name | N/A |
| UPC | 822348699995 |

Physical

| | |
|--------------------------------|-----------------------|
| Circuits (Loaded) | 16 |
| Color - Resin | Natural |
| Contact Position | Dual |
| Durability (mating cycles max) | 20 |
| Entry Angle | 90° Angle |
| Mated Height | 1.20mm |
| Material - Metal | Phosphor Bronze |
| Material - Plating Mating | Gold |
| Material - Plating Termination | Tin |
| Net Weight | 100.047/mg |
| Number of Rows | 1 |
| Orientation | Right Angle |
| PCB Locator | No |
| PCB Retention | Yes |
| Packaging Type | Embossed Tape on Reel |
| Pitch - Mating Interface | 0.50mm |
| Plating min - Mating | 0.102µm |
| Plating min - Termination | 1.016µm |
| Polarized to PCB | Yes |
| Stackable | No |
| Surface Mount Compatible (SMC) | N/A |
| Temperature Range - Operating | -20°C to +85°C |
| Termination Interface: Style | Surface Mount |
| Wire/Cable Type | FFC/FPC |

Electrical

| | |
|-------------------------------|------|
| Current - Maximum per Contact | 0.5A |
| Voltage - Maximum | 50V |

Material Info

Reference - Drawing Numbers

| | |
|-------------------------|--|
| Packaging Specification | SPK-51281-001 |
| Product Specification | PS-51281-003, RPS-51281-016, RPS-51281-017, RPS-51281-018, RPS-51281-021 |
| Sales Drawing | SD-51281-011, SD-51281-012 |

EU RoHS

ELV and RoHS Compliant
REACH SVHC Contains SVHC: No
Low-Halogen Status Low-Halogen

China RoHS



Need more information on product environmental compliance?

Email productcompliance@molex.com
 For a multiple part number RoHS Certificate of Compliance, [click here](#)

Please visit the [Contact Us](#) section for any non-product compliance questions.

Search Parts in this Series
[51281Series](#)

This document was generated on 02/04/2013

PLEASE CHECK WWW.MOLEX.COM FOR LATEST PART INFORMATION