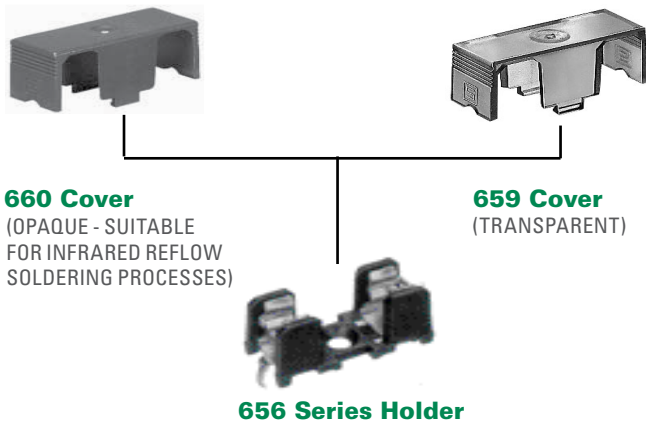
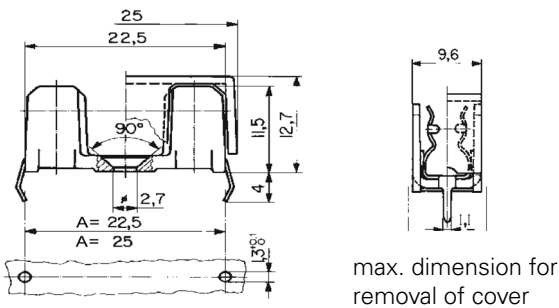


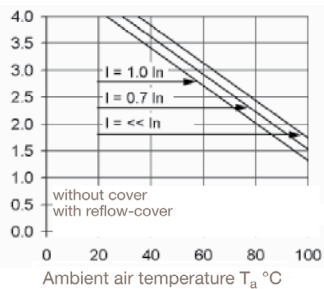
## 656 Series Molded Base PC Mount Fuse Block For 5x20mm Fuses



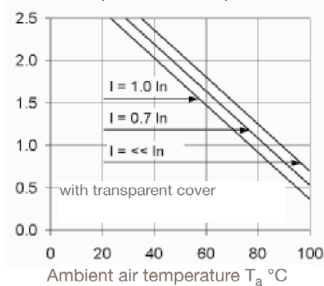
### Dimensions



### Derating curves



Admissible power acceptance in Watt



### Product Characteristics

<b>Compatible Fuse Size</b>	<b>5x20mm</b>
<b>Materials</b>	<b>Holder:</b> Black Thermoplastic UL94 V-0 <b>Metal Parts:</b> Tin plated copper alloy
<b>Electrical Data</b>	<b>Rated Voltage:</b> 250V <b>Rated Current:</b> 10A <b>Rated Power:</b> without cover: 4W (23°C): with reflow-cover: 4W with transparent cover: 2.5W
<b>Mounting</b>	656: Solder pins 0.4mmx1.1mm Ø 2.7mm screw hole may be used optionally
<b>Operating Temperature</b>	-40°C to +85°C (consider de-rating)
<b>Climatic Test</b>	GPF according to DIN 40040
<b>Stock Conditions</b>	+10°C to +60°C relative humidity ≤ 75% yearly average, without dew, maximum value for 30 days - 95%
<b>Vibration Resistance</b>	Frequency range 10-500 Hz, crossover frequency 60 Hz < 60 Hz constant amplitude of 0.75mm > 60 Hz constant acceleration of 10g
<b>Contact Resistance</b>	5mΩ
<b>Dielectric Strength</b>	> 3kV, 50 Hz, 1 min.
<b>Impulse withstand Voltage</b>	Û1.2/50: > 12 kV between live parts of different potentials
<b>Insulation Resistance</b>	(500 V DC/1 min): >10 MΩ between live parts of different potentials
<b>Solderability</b>	235°C/2s, acc. to IEC 60068-2-20, test Ta, method 1
<b>Soldering Heat Resistance</b>	350°C/5s, acc. to IEC60068-2-20 test Tb, method 1B
<b>Minimum Cross Section</b>	Conducting path - 0.2mm <sup>2</sup>
<b>Torque/fixing screw</b>	Max. 0.3 Nm

### Agency Approval

Agency	Agency File Number
	40001499
	E70164

\* Ensure that proper fuse de-rating is factored in fuseholder selection.

### Additional Information



Datasheet



Resources



Samples

### Ordering Information

Part Number	Description	Packaging
<b>65600001009</b>	Fuse Block - "A" dimension 22.5mm	Bulk Pack (100 Pcs)
<b>65600001409</b>	Fuse Block - "A" dimension 25mm	Bulk Pack (100 Pcs)
<b>65900000009</b>	Fuse Holder Cover - Transparent plastic	Bulk Pack (100 Pcs)
<b>66000001009</b>	Fuse Holder Cover - Opaque plastic, suitable for infrared (IR) reflow soldering process	Bulk Pack (100 Pcs)