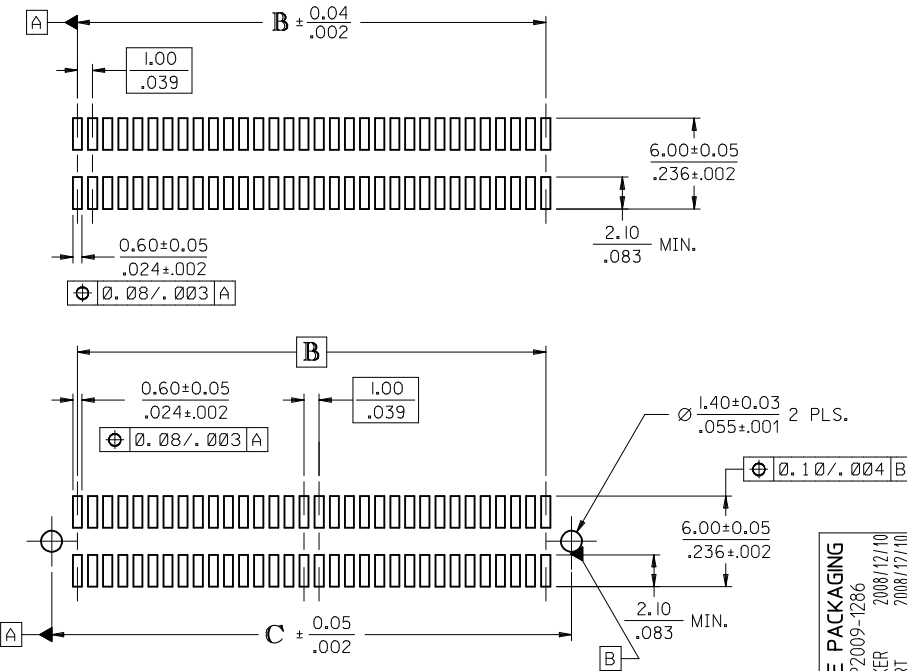


CIRCUIT SIZE	DIM. A	DIM. B	DIM. C	DIM. D
20	13.90 .547	9.00 .354	12.40 .488	12.22 .481
30	18.90 .744	14.00 .551	17.40 .685	17.22 .678
40	23.90 .941	19.00 .748	22.40 .882	22.22 .875
50	28.90 1.138	24.00 .945	27.40 1.079	27.22 1.072
60	33.90 1.335	29.00 1.142	32.40 1.276	32.22 1.269
64	35.90 1.413	31.00 1.220	34.40 1.354	34.22 1.347
70	38.90 1.531	34.00 1.339	37.40 1.472	37.22 1.465
80	43.90 1.728	39.00 1.535	42.40 1.669	42.22 1.662
84	45.90 1.807	41.00 1.614	44.40 1.748	44.22 1.741
90	48.90 1.925	44.00 1.732	47.40 1.866	47.22 1.859
100	53.90 2.122	49.00 1.929	52.40 2.063	52.22 2.056
110	58.90 2.319	54.00 2.126	57.40 2.260	57.22 2.253
120	63.90 2.516	59.00 2.323	62.40 2.457	62.22 2.450

- NOTES:**
- HOUSING MATERIAL: GLASS FILLED LIQUID CRYSTAL POLYMER (LCP); UL 94V-0; SEE SHEET 2 FOR COLOR.
TERMINAL MATERIAL: PHOSPHOR BRONZE; 0.205/.0080 THICK
VACUUM CAP MATERIAL: STAINLESS STEEL; 0.255/.0100 THICK
 - CONTACT PLATING FINISH: REFER TO CHART ON SHEET 2
 - THIS PART, WHEN MATED WITH MOLEX 1.0mm PLUG CONNECTOR SERIES 71439, CONFORMS TO MOLEX PRODUCT SPECIFICATION PS-71436-9999. REFER TO CHART ON SHEET 2 FOR MATED STACK HEIGHTS FOR THIS RECEPTACLE.
 - PACKAGING SPECIFICATIONS: REFER TO CHART ON SHEET 2.
 - PEGS ARE OPTIONAL. REFER TO CHART ON SHEET 2.
 - VACUUM PICK & PLACE CAP IS OPTIONAL. REFER TO CHART ON SHEET 2.
 - THIS PART CONFORMS TO EIA STANDARD 700 AAAB FOR 1.0mm TWO-PART CONNECTORS FOR USE WITH PARALLEL PRINTED BOARDS.
 - COPLANARITY OF SMT TAILS: 0.10 MM/.004 INCH MAXIMUM
 - 64-CIRCUIT RECEPTACLE ASSEMBLY WITH PEGS AND VACUUM CAP SHOWN FOR ILLUSTRATION PURPOSES ONLY.
 - INCH DIMENSIONS SHOWN FOR REFERENCE ONLY.
 - ASSEMBLY TO HAVE DATE CODE: XX XX
WEEK _____ YEAR _____



RECOMMENDED PCB LAYOUT (WITH AND WITHOUT PEGS)

RECOMMENDED PCB THICKNESS: 1.00±0.10/.039±.004

CHG TUBE PACKAGING EC NO: UCP2009-1286 DRWIN: BARKER 2008/12/10 CHKD: BSWART 2008/12/10 APPR: SMILLER 2008/12/10 REV: N	QUALITY SYMBOLS ▽=0 ▽=0	GENERAL TOLERANCES (UNLESS SPECIFIED) <table border="1"> <tr><th colspan="2">mm</th><th colspan="2">INCH</th></tr> <tr><td>4 PLACES ±</td><td>---</td><td>±</td><td>---</td></tr> <tr><td>3 PLACES ±</td><td>---</td><td>±</td><td>.005</td></tr> <tr><td>2 PLACES ±</td><td>0.13</td><td>±</td><td>.01</td></tr> <tr><td>1 PLACE ±</td><td>0.25</td><td>±</td><td>---</td></tr> </table> ANGULAR ±1/2°	mm		INCH		4 PLACES ±	---	±	---	3 PLACES ±	---	±	.005	2 PLACES ±	0.13	±	.01	1 PLACE ±	0.25	±	---	DIMENSION STYLE MM/IN DRAWN BY: REED DATE: 1995/04/03 CHECKED BY: REED DATE: 1995/04/03 APPROVED BY: BIXLER DATE: 1995/04/03	SCALE: INCH DESIGN UNITS: INCH THIRD ANGLE PROJECTION	TITLE: ASSY MFG, 1.0MM BOARD TO BOARD RECEPT CONNECTOR 5.30/.209 HIGH MOLEX MOLEX INCORPORATED DOCUMENT NO: SDA-71439-0*** SHEET NO: 1 OF 2
	mm		INCH																						
	4 PLACES ±	---	±	---																					
	3 PLACES ±	---	±	.005																					
2 PLACES ±	0.13	±	.01																						
1 PLACE ±	0.25	±	---																						
DRAFT WHERE APPLICABLE MUST REMAIN WITHIN DIMENSIONS		SEE TABLE	THIS DRAWING CONTAINS INFORMATION THAT IS PROPRIETARY TO MOLEX INCORPORATED AND SHOULD NOT BE USED WITHOUT WRITTEN PERMISSION																						

WHITE (NATURAL) MATERIAL

PART NUMBER	CIRCUIT SIZE	CONTACT PLATING SEE NOTE BELOW CHARTS	PEGS	PICK & PLACE CAP	PACKAGING SPEC. NUMBER	PACKAGING TYPE
71439-0164	64	30 GOLD	YES	NO	PK-70873-013	TUBE
71439-0264	64	50 GOLD	NO	YES	PK-70873-063	TAPE & REEL
71439-0364	64	30 GOLD	YES	YES	PK-70873-014	TUBE
71439-0464	64	30 GOLD	YES	YES	PK-70873-063	TAPE & REEL
71439-0564	64	30 GOLD	NO	NO	PK-70873-015	TUBE
71439-0764	64	30 GOLD	NO	YES	PK-70873-017	TUBE
71439-0864	64	30 GOLD	NO	YES	PK-70873-063	TAPE & REEL
71439-0664	64	50 GOLD	YES	NO	PK-70873-013	TUBE
71439-0064	64	50 GOLD	NO	NO	PK-70873-015	TUBE

BLACK MATERIAL

PART NUMBER	CIRCUIT SIZE	CONTACT PLATING SEE NOTE BELOW CHARTS	PEGS	PICK & PLACE CAP	PACKAGING SPEC. NUMBER	PACKAGING TYPE
71439-0964	64	30 GOLD	NO	YES	PK-70873-063	TAPE & REEL

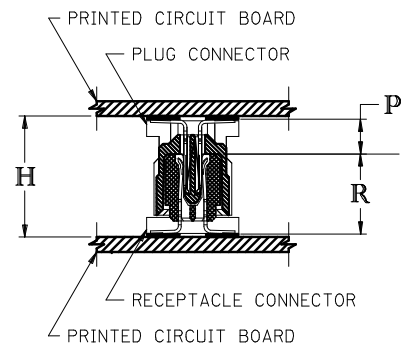
CONTACT PLATING:

30 GOLD - 0.76 MICROMETER/30 MICROINCH MINIMUM GOLD IN CONTACT AREA AND 1.91 MICROMETER/75 MICROINCH MINIMUM TIN IN SOLDER TAIL AREA. NICKEL UNDERPLATE OVER ENTIRE TERMINAL.

50 GOLD - 1.27 MICROMETER/50 MICROINCH MINIMUM GOLD IN CONTACT AREA AND 1.91 MICROMETER/75 MICROINCH MINIMUM TIN IN SOLDER TAIL AREA. NICKEL UNDERPLATE OVER ENTIRE TERMINAL.

RECOMMENDED PLUG/RECEPTACLE COMBINATION FOR MATED STACK HEIGHT PER EIA STANDARD 700 AAAB

MATED STACK HEIGHT	RECEPTACLE HEIGHT	RECEPTACLE SERIES NO.	PLUG HEIGHT	PLUG SERIES NO.
8.00/.315	5.30/.209	71439-0***	2.30/.090	71436-0***
9.00/.354	5.30/.209	71439-0***	3.30/.130	71436-1***
10.00/.394	5.30/.209	71439-0***	4.30/.169	71436-2***



PLUG STACK HEIGHT
+ RECEPTACLE STACK HEIGHT
+ 0.40/.016 (SOLDER PASTE ALLOWANCE)
= MATED STACK HEIGHT

P = PLUG STACK HEIGHT
R = RECEPTACLE STACK HEIGHT
H = MATED STACK HEIGHT

CHG TUBE PACKAGING EC NO: UCP2009-1286 DRWINBBARKER 2008/12/10 CHKD:BSMART 2008/12/10 APPR:SMILLER 2008/12/10	QUALITY SYMBOLS ▽=0 ▽=0	GENERAL TOLERANCES (UNLESS SPECIFIED) mm INCH 4 PLACES ± --- ± --- 3 PLACES ± --- ± .005 2 PLACES ± 0.13 ± .01 1 PLACE ± 0.25 ± --- ANGULAR ± 1/2°	DIMENSION STYLE MM/IN DRAWN BY DATE REED 1995/04/03 CHECKED BY DATE REED 1995/04/03 APPROVED BY DATE BIXLER 1995/04/03	SCALE DESIGN UNITS INCH THIRD ANGLE PROJECTION	TITLE ASSY MFG, 1.0MM BOARD TO BOARD RECEPT CONNECTOR 5.30/.209 HIGH MOLEX INCORPORATED SDA-71439-0***	SHEET NO. 2 OF 2
	DRAFT WHERE APPLICABLE MUST REMAIN WITHIN DIMENSIONS		MATERIAL NO. SEE TABLE	DOCUMENT NO. SDA-71439-0***	THIS DRAWING CONTAINS INFORMATION THAT IS PROPRIETARY TO MOLEX INCORPORATED AND SHOULD NOT BE USED WITHOUT WRITTEN PERMISSION	
	REV N	DESCRIPTION				