

**PLEASE CHECK WWW.MOLEX.COM FOR LATEST PART INFORMATION**

**Part Number:** [85502-5005](#)  
**Status:** **Active**  
**Overview:** [Modular Plugs - Jacks](#)  
**Description:** Modular Jack, Right Angle, Low Profile, SMT, 4/4, Gold (Au)

**Documents:**

[3D Model](#) [Test Summary STR-1413 \(PDF\)](#)  
[Drawing \(PDF\)](#) [RoHS Certificate of Compliance \(PDF\)](#)  
[Product Specification PS-95501 \(PDF\)](#)

**Agency Certification**

UL E107635

**General**

Product Family Modular Jacks/Plugs  
 Series [85502](#)  
 Component Type PCB Jack  
 Magnetic No  
 Overview [Modular Plugs - Jacks](#)  
 Performance Category 3  
 Power over Ethernet (PoE) N/A  
 Product Name RJ11  
 UPC 822350900287

**Physical**

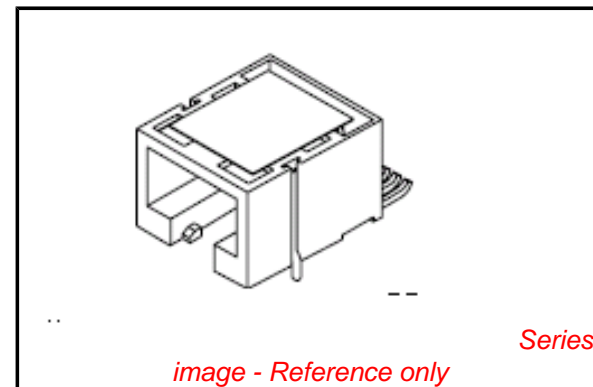
Color - Resin Black  
 Durability (mating cycles max) 500  
 Flammability 94V-0  
 Inverted / Top Latch No  
 Jack Height 11.50mm  
 Lightpipes/LEDs None  
 Material - Metal Copper Alloy  
 Material - Plating Mating Gold  
 Material - Plating Termination Tin  
 Material - Resin High Temperature Thermoplastic  
 Net Weight 1.867g  
 Orientation Right Angle (Side Entry)  
 PCB Locator No  
 PCB Retention Yes  
 Packaging Type Embossed Tape on Reel  
 Pitch - Mating Interface 1.02mm  
 Pitch - Termination Interface 1.27mm  
 Ports 1  
 Positions / Loaded Contacts 4/4  
 Surface Mount Compatible (SMC) Yes  
 Temperature Range - Operating -40°C to +80°C  
 Termination Interface: Style Surface Mount  
 Waterproof / Dustproof No  
 Wire/Cable Type N/A

**Electrical**

Current - Maximum per Contact 1.5A  
 Shielded No  
 Voltage - Maximum 125V AC (RMS)

**Solder Process Data**

Duration at Max. Process Temperature (seconds) 45



**EU RoHS**

**ELV and RoHS Compliant**  
**REACH SVHC Contains SVHC: No**  
**Low-Halogen Status Low-Halogen**

**China RoHS**



**Need more information on product environmental compliance?**

Email [productcompliance@molex.com](mailto:productcompliance@molex.com)  
 For a multiple part number RoHS Certificate of Compliance, [click here](#)

Please visit the [Contact Us](#) section for any non-product compliance questions.

**Search Parts in this Series**

[85502Series](#)

**Mates With**

FCC 68 Plugs

Lead-free Process Capability  
Max. Cycles at Max. Process Temperature  
Process Temperature max. C

Reflow Capable (SMT only)  
3  
260

### **Material Info**

### **Reference - Drawing Numbers**

Product Specification  
Test Summary

PS-95501  
STR-1413

This document was generated on 02/01/2013

**PLEASE CHECK [WWW.MOLEX.COM](http://WWW.MOLEX.COM) FOR LATEST PART INFORMATION**