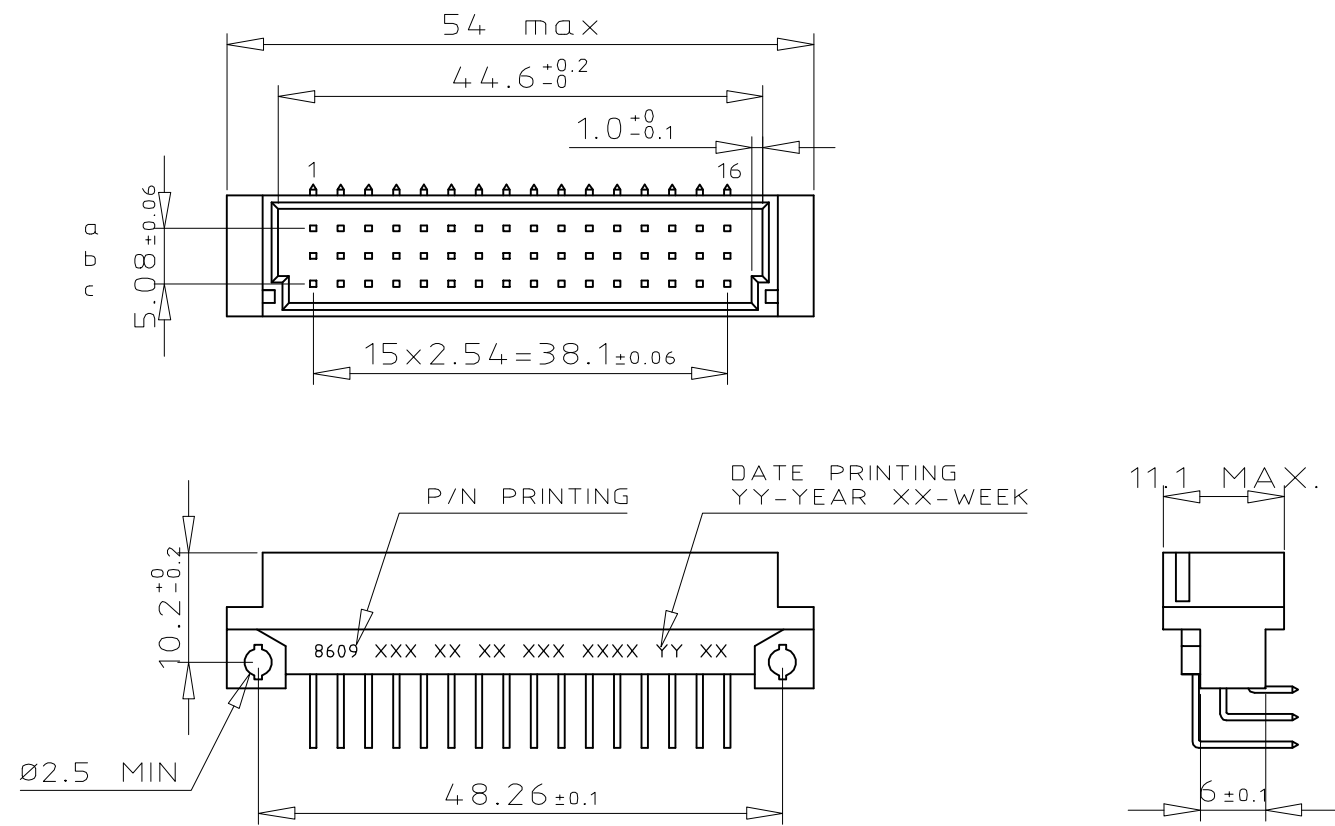
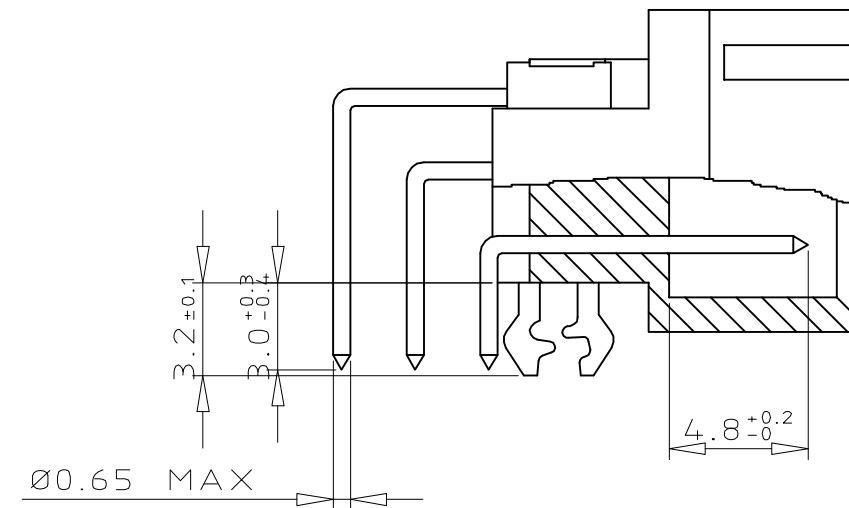


DIMENSIONS



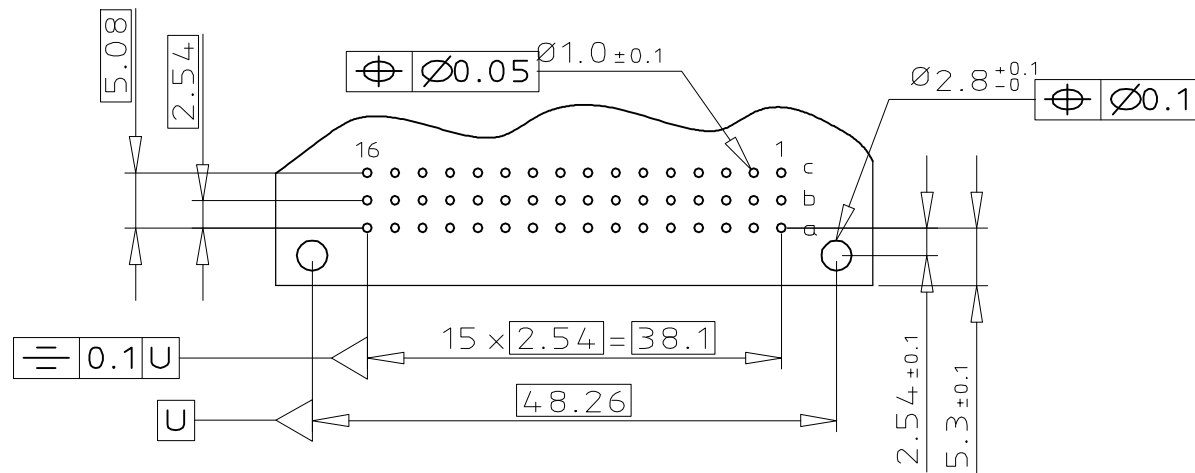
TERMINATION



ORDERING INFORMATION

SERIES	8609	3	48	7	3	13	7	4	5	ELF
ROWS FITTED WITH CONTACTS										
ROW a	16									
ROW a b c	48									
ROW a - c	32									
NO. OF CONTACTS										
TYPE OF INSULATOR										
3 ROW MALE INSULATOR	7									
METHOD OF MOUNTING										
STANDARD MOUNTING - STYLE C/2	3									
TERMINATION										
ANGLED SPILL	13									
OPTIONS										
NO OPTION	7									
WITH HARPOONS	H									
PERFORMANCE CLASS										
DIN 41612 CLASS 3	4									
DIN 41612 CLASS 2	6									
DIN 41612 CLASS 1	8									
AS PER MIL C 55302 / JSS 50808	8									
PITCH PER ROW										
2.54 mm	5									
LEAD FREE VERSION	ELF									

PCB LAYOUT



GENERAL CHARACTERISTICS & RoHS INFO

REFER DRAWING C-8609-0000A

mat'l. code	surface	tolerance	projection	product family
SEE DWG C-8609-0000A	ISO 1302 ✓	ISO 406 ISO 1101		8609
ltr	ecn no	dr	date	title
A	104-0063	MINI	2004-09-17	DIN STANDARD HEADER
B	104-0100	MINI	2004-11-09	DIN 41612 STYLE C/2
C	105-0089	MINI	2005-05-19	
D	106-0061	MINI	2006-05-31	
E	108-0146	KR	2008-10-21	
F	109-0217	KR	2009-10-13	
G	110-0020	KR	2010-01-13	
sheet index	revision sheet	G	1	



Copyright FCI