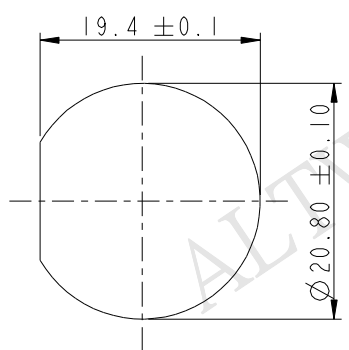
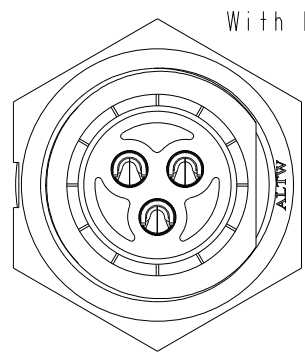


THIS DOCUMENT IS SUBJECT TO CHANGE WITHOUT NOTICE. IT IS CONFIDENTIAL AND A PROPERTY OF Amphenol LTW. DISCLOSURE TO THIRD PARTY HAS TO BE AUTHORIZED BY Amphenol LTW.

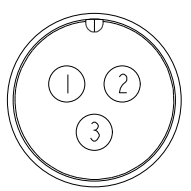
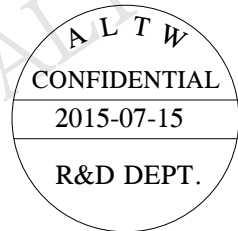
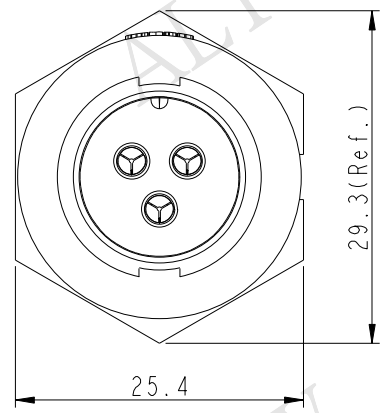
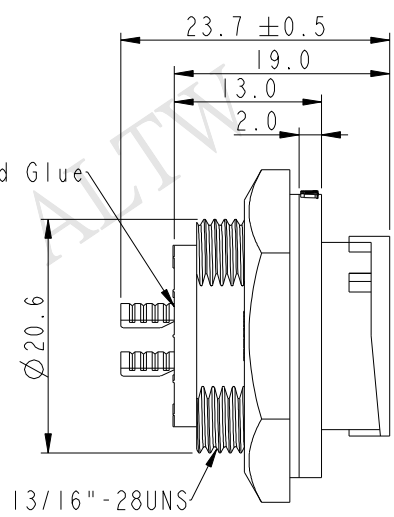
REV.	ECN NO.	DATE	SIGN	DESCRIPTION



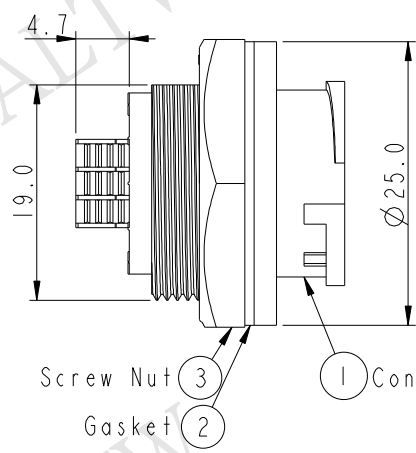
Recommended Panel
Cut-Out



With Liquid Glue



Pin Assignments
Front View



Screw Nut ③
Gasket ②
① Connector

- Note:
- * Ⓞ Important Dimension To Check.
 - * Waterproof Rate: IP67
 - * Housing: Nylon+GF, Black
 - * Male Pin: Copper Alloy, Gold Plated
 - * Screw Nut: Nylon+GF, Black
 - * Gasket: Silicone, Gray
 - * Maximum Panel Thickness: 4.0mm

UNIT: mm		
TOLERANCE	.X ±0.25	
.XX ±0.1		
.XXX ±0.05		
ANGLES	±1°	

TITLE MIDDLE PANEL LOCK 3P M CONN M PIN			
SCALE 3:2	SIZE A4	SHEET 1 OF 1	
REV. A	WC-REV. A.1	Ⓞ: Inspection item	

Amphenol LTW
安費諾亮泰企業股份有限公司

ITEM NO. ACC-03RMMS-LC7001	DRAWN BY Jinhai	DATE 2015-07-15
DWG NO. ACC-03RMMS-LC7001	CHECKED BY Rensong	DATE 2015-07-15
CUSTOMER ALTW	APPROVED BY Jerry	DATE 2015-07-15

