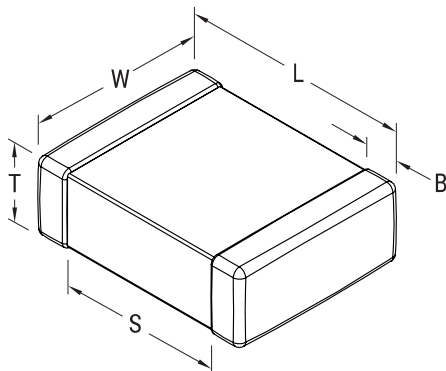


KEMET Part Number: C0603C333K5RACTU
(C0603C333K5RAC7867)

SMD Comm X7R, Ceramic, 0.033 uF, 10%, 50 V, X7R, SMD, MLCC, Temperature Stable, Class II, 0603



Dimensions

| Dimensions | |
|------------|------------------|
| L | 1.6mm +/-0.15mm |
| W | 0.8mm +/-0.15mm |
| T | 0.8mm +/-0.07mm |
| S | 0.7mm MIN |
| B | 0.35mm +/-0.15mm |

Packaging Specifications

| | |
|----------------------------|------------------------|
| Packaging: | T&R, 180mm, Paper Tape |
| Packaging Quantity: | 4000 |

General Information

| | |
|-----------------------|--------------------------------------------------------------------------|
| Supplier: | KEMET |
| Series: | SMD Comm X7R |
| Style: | SMD Chip |
| Description: | SMD, MLCC, Temperature Stable, Class II |
| Features: | Temperature Stable, Class II |
| RoHS: | Yes |
| Termination: | Tin |
| Marking: | No |
| Failure Rate: | N/A |
| Miscellaneous: | Note: Referee time for X7R dielectric for this part number is 1000 hours |
| Chip Size: | 0603 |
| Shelf Life: | 78 Weeks |
| MSL: | 1 |

Specifications

| | |
|-----------------------------------------|---------------------|
| Capacitance: | 0.033 uF |
| Capacitance Tolerance: | 10% |
| Voltage DC: | 50 VDC |
| Dielectric Withstanding Voltage: | 125 V |
| Temperature Range: | -55/+125C |
| Temperature Coefficient: | X7R |
| Dissipation Factor: | 2.5% 1kHz 25C |
| Aging Rate: | 3% Loss/Decade Hour |
| Insulation Resistance: | 30.303 GOhms |