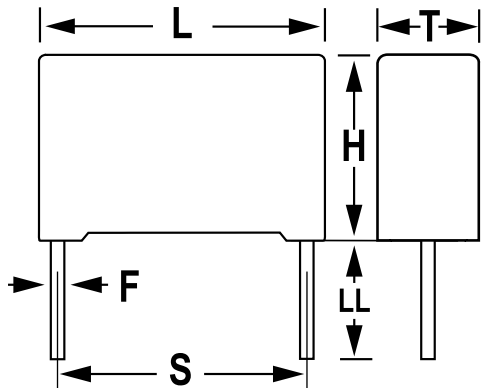


C4AE, Film, Metallized Polypropylene, DC Link, 10 uF, 5%, 450 VDC, 70°C, Lead Spacing = 27.5mm



Dimensions

L	31.5mm +0.5mm
H	28mm +0.2mm
T	14mm +0.3mm
S	27.5mm +/-0.4mm
LL	6mm -2mm
F	0.8mm NOM
G	0.5mm NOM

Packaging Specifications

Packaging:	Bulk, Box
-------------------	-----------

General Information

Series:	C4AE
Dielectric:	Metallized Polypropylene
Style:	Radial
RoHS:	Yes
Termination:	Tin
Lead:	Wire Leads
AEC-Q200:	No
Miscellaneous:	Thermal Resistance = 33 C/W.

Specifications

Capacitance:	10 uF
Capacitance Tolerance:	5%
Voltage DC:	450 VDC
Temperature Range:	-40/+85°C
Rated Temperature:	70°C
Insulation Resistance:	3 MOhms
Max dV/dt:	14 V/us
Resistance:	7.4 mOhms (10kHz 70C)
Ripple Current:	7.5 Amps (10kHz 70C), 145 Amps (Peak)
Inductance:	26 nH