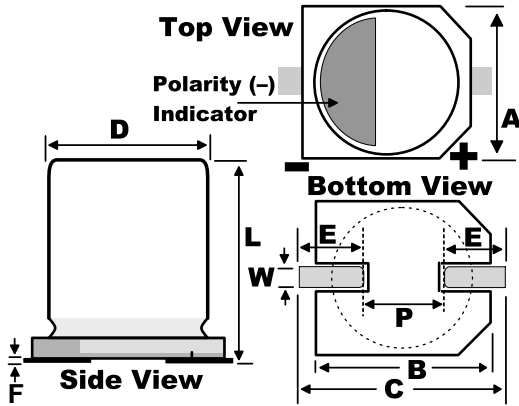


Capacitor, aluminum, 10 uF, +/-20% Tol, 25V@85C



| Dimensions (mm) | | |
|-----------------|-----------|------------|
| Symbol | Dimension | Tolerance |
| D | 5 | +/-0.5 |
| L | 5.4 | +0.25/-0.1 |
| A | 5.3 | +/-0.2 |
| B | 5.3 | +/-0.2 |
| C | 6.5 | max |
| W | 0.65 | +/-0.1 |
| E | 2.2 | +/-0.2 |
| P | 1.5 | +/-0.2 |
| F | 0.3 | max |

| Packaging Specifications | |
|--------------------------|-------|
| Package Kind: | T&R |
| Package Size: | 380mm |
| Package Quantity: | 1000 |

| General Information | |
|------------------------|-------------------------------------|
| Manufacturer: | KEMET |
| Part Type Description: | Surface Mount Aluminum Electrolytic |
| Style: | Surface Mount Vertical Can |
| Lead Type: | V-Chip |

| Specifications | |
|----------------------------|----------|
| Capacitance: | 10 uF |
| Voltage @ rated temp: | 25V |
| Rated Temperature: | 85C |
| Tolerance: | +/-20% |
| VDC Surge: | 32WVDC |
| Life @ rated temp: | 2000 h |
| RoHS: | Yes |
| Hi Temp Solder: | Yes |
| Temperature Range: | -40/+85C |
| Leakage Current: | 3 uA |
| Leakage Condition: | 2min/20c |
| Dissipation Factor: | 14% |
| Impedance Ratio -25C: | 2.0 |
| Impedance Ratio -40C: | 4.0 |
| Ripple 120Hz @ rated temp: | 0.028 A |
| Ripple 120Hz @ alt temp: | 0.0381 A |
| Ripple 120Hz alt temp: | 50C |

Statements of suitability for certain applications are based on our knowledge of typical operating conditions for such applications, but are not intended to constitute - and we specifically disclaim - any warranty concerning suitability for a specific customer application or use. This Information is intended for use only by customers who have the requisite experience and capability to determine the correct products for their application. Any technical advice inferred from this Information or otherwise provided by us with reference to the use of our products is given gratis, and we assume no obligation or liability for the advice given or results obtained.