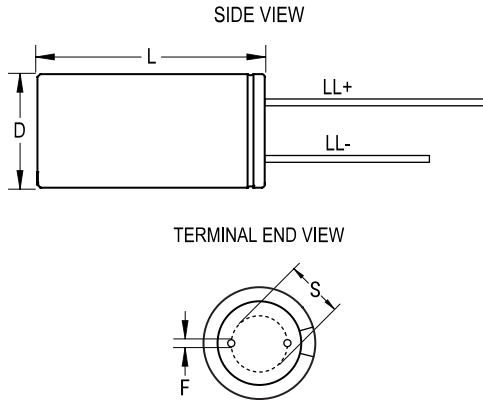


ESH, Aluminum Electrolytic, 105C, 4.7 uF, 20%, 450 VDC, -25/+105C, Lead Spacing = 5mm



General Information	
Supplier:	KEMET
Series:	ESH
Dielectric:	Aluminum Electrolytic
Description:	High CV Single Ended Aluminum Electrolytic
Features:	High CV
RoHS:	Yes
Lead:	Wire Leads

Dimensions	
D	10mm +/-0.5mm
L	15mm +2mm
S	5mm +/-0.5mm
LL Negative	15mm MIN
LL Positive	20mm MIN
F	0.6mm NOM

Specifications	
Capacitance:	4.7 uF
Capacitance Tolerance:	20%
Voltage DC:	450 VDC, 500 VDC (Surge)
Temperature Range:	-25/+105C
Rated Temperature:	105C
Life:	2000 Hrs
Dissipation Factor:	20.00%
Ripple Current:	59 mAmps (120Hz 105C)
Leakage Current:	73.45 uA (2min 20C)
Impedance Ratio at -25C:	6

Packaging Specifications	
Packaging:	Bulk, Bag
Packaging Quantity:	3000