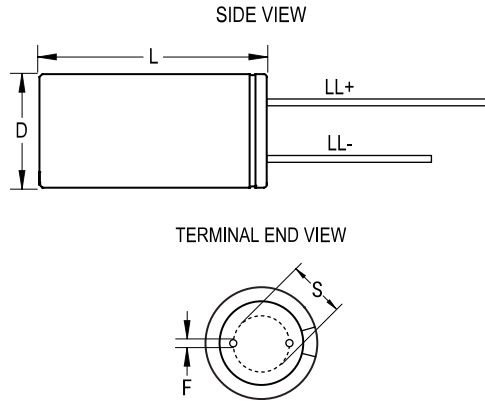


ESL, Aluminum Electrolytic, 105C, 100 uF, 20%, 35 VDC, -40/+105C, Lead Spacing = 2mm



Dimensions	
D	6.3mm +/-0.5mm
L	11mm +1.5mm
S	2mm +/-0.5mm
LL Negative	15mm MIN
LL Positive	20mm MIN
F	0.5mm NOM

Packaging Specifications	
Packaging:	Bulk, Bag
Packaging Quantity:	10000

General Information	
Supplier:	KEMET
Series:	ESL
Dielectric:	Aluminum Electrolytic
Description:	Single Ended Aluminum Electrolytic
RoHS:	Yes
Lead:	Wire Leads

Specifications	
Capacitance:	100 uF
Capacitance Tolerance:	20%
Voltage DC:	35 VDC, 44 VDC (Surge)
Temperature Range:	-40/+105C
Rated Temperature:	105C
Life:	8000 Hrs
Dissipation Factor:	12.00%
Resistance:	0.085 Ohms (100kHz 20C)
Ripple Current:	545 mAmps (100kHz 105C)
Leakage Current:	35 uA (2min 20C)
Impedance Ratio at -40C:	6