

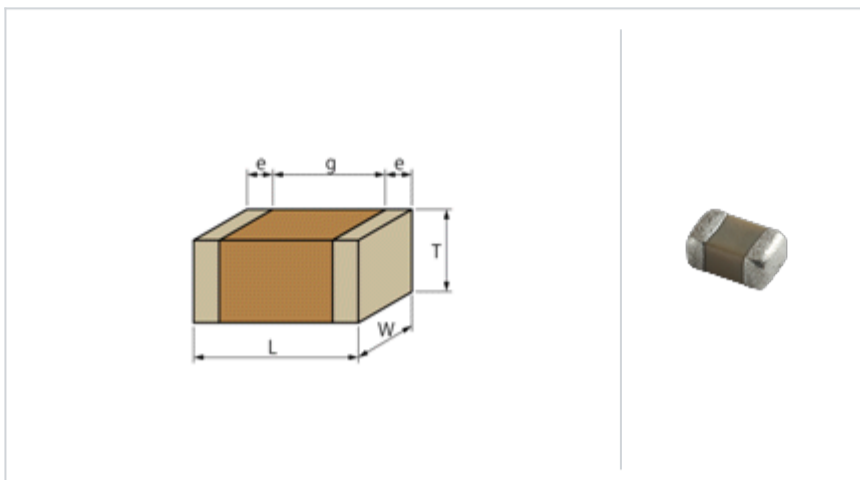
GCJ43DR72J473KXJ1L

" # " indicates a package specification code.

- Recommended
- Reflow OK
- Complies with RoHS
- AEC-Q200
- Fail safe
- Deflecting crack

< List of part numbers with package codes >
GCJ43DR72J473KXJ1L

Shape



L size	4.5 ± 0.4mm
W size	3.2 ± 0.3mm
T size	2.0 +0/-0.3mm
External terminal width e	0.3mm min.
Distance between external terminals g (Min.)	2.2mm
Size code in mm(inch)	4532 (1812)

References

Packaging	Specifications	Minimum quantity
	Embossed tape (180mm)	1000

Specifications

Capacitance	47000pF ± 10%
Rated voltage	630Vdc
Temperature characteristics (complied standard)	X7R(EIA)
Capacitance change rate	± 15%
Temperature range of temperature characteristics	-55 to 125
Operating temperature range	-55 to 125

⚠ Attention

- This datasheet is downloaded from the website of Murata Manufacturing Co., Ltd. Therefore, it ' s specifications are subject to change or our products in it may be discontinued without advance notice. Please check with our sales representatives or product engineers before ordering.
- This datasheet has only typical specifications because there is no space for detailed specifications. Therefore, please review our product specifications or consult the approval sheet for product specifications before ordering.