

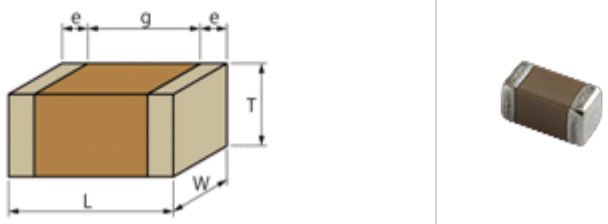
GCM319R71H104KA37#

" # " indicates a package specification code.

Available   Complies with RoHS 

< List of part numbers with package codes >
 GCM319R71H104KA37D , GCM319R71H104KA37J , GCM319R71H104KA37B

Shape



| | |
|--|--------------|
| L size | 3.2 ± 0.15mm |
| W size | 1.6 ± 0.15mm |
| T size | 0.85 ± 0.1mm |
| External terminal width e | 0.3 to 0.8mm |
| Distance between external terminals g (Min.) | 1.5mm |
| Size code in mm(inch) | 3216 (1206) |

References

| Packaging | Specifications | Minimum quantity |
|-----------|---------------------|------------------|
| D | Paper tape (180mm) | 4000 |
| J | Paper tape (330mm) | 10000 |
| B | Packing in bulk | 1000 |

| Mass (typ.) | |
|---------------|------|
| 1 piece | 24mg |
| Reel (180mm) | 208g |

Specifications

| | |
|--|--------------|
| Capacitance | 0.10μF ± 10% |
| Rated voltage | 50Vdc |
| Temperature characteristics (complied standard) | X7R(EIA) |
| Capacitance change rate | ± 15% |
| Temperature range of temperature characteristics | -55 to 125 |
| Operating temperature range | -55 to 125 |

Attention

- 1.This datasheet is downloaded from the website of Murata Manufacturing Co., Ltd. Therefore, it ' s specifications are subject to change or our products in it may be discontinued without advance notice. Please check with our sales representatives or product engineers before ordering.
- 2.This datasheet has only typical specifications because there is no space for detailed specifications. Therefore, please review our product specifications or consult the approval sheet for product specifications before ordering.