

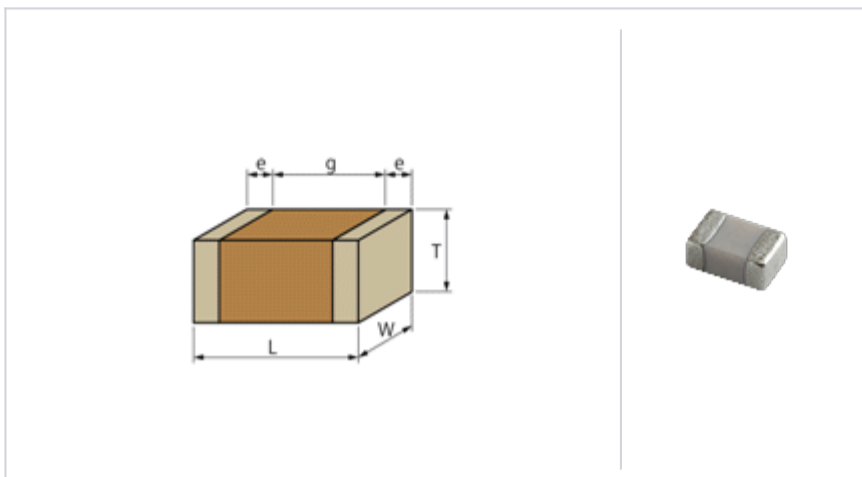
# GQM1885C1H220JB01#

"#" indicates a package specification code.



< List of part numbers with package codes >  
 GQM1885C1H220JB01D , GQM1885C1H220JB01J , GQM1885C1H220JB01C , GQM1885C1H220JB01B

## Shape



L size	1.6 ± 0.1mm
W size	0.8 ± 0.1mm
T size	0.8 ± 0.1mm
External terminal width e	0.2 to 0.5mm
Distance between external terminals g (Min.)	0.5mm
Size code in mm(inch)	1608 (0603)

## References

Packaging	Specifications	Minimum quantity
D	Paper tape ( 180mm)	4000
J	Paper tape ( 330mm)	10000
C	Bulk case	15000
B	Packing in bulk	1000

Mass (typ.)	
1 piece	6.3mg
Reel ( 180mm)	144g

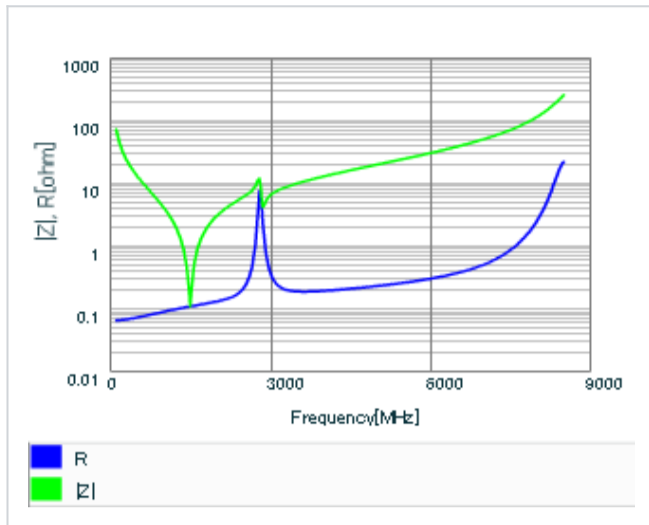
## Specifications

Capacitance	22pF ± 5%
Rated voltage	50Vdc
Temperature characteristics (complied standard)	COG(EIA)
Temperature coefficient	0 ± 30ppm/
Temperature range of temperature characteristics	25 to 125
Operating temperature range	-55 to 125

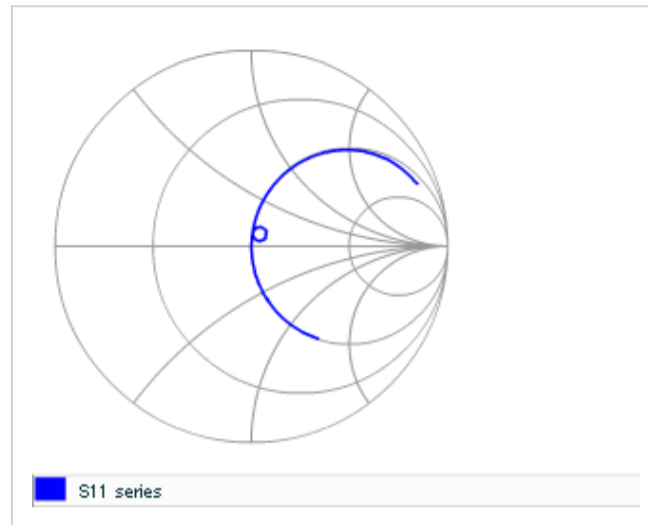
### ⚠ Attention

- 1.This datasheet is downloaded from the website of Murata Manufacturing Co., Ltd. Therefore, it ' s specifications are subject to change or our products in it may be discontinued without advance notice. Please check with our sales representatives or product engineers before ordering.
- 2.This datasheet has only typical specifications because there is no space for detailed specifications. Therefore, please review our product specifications or consult the approval sheet for product specifications before ordering.

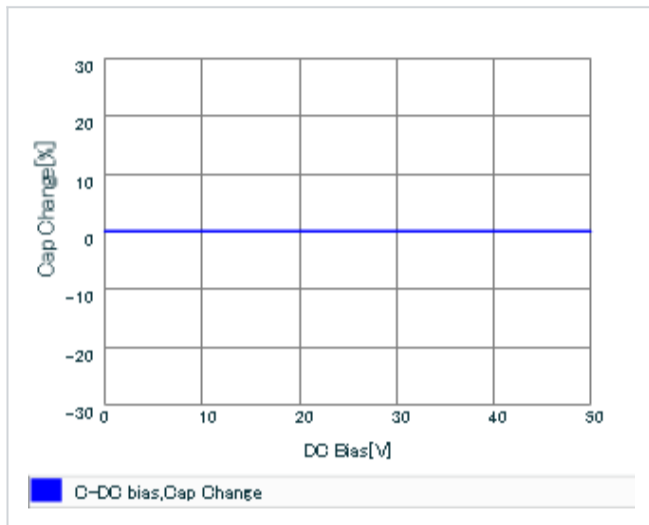
▪ Frequency characteristics (ESR, Impedance)



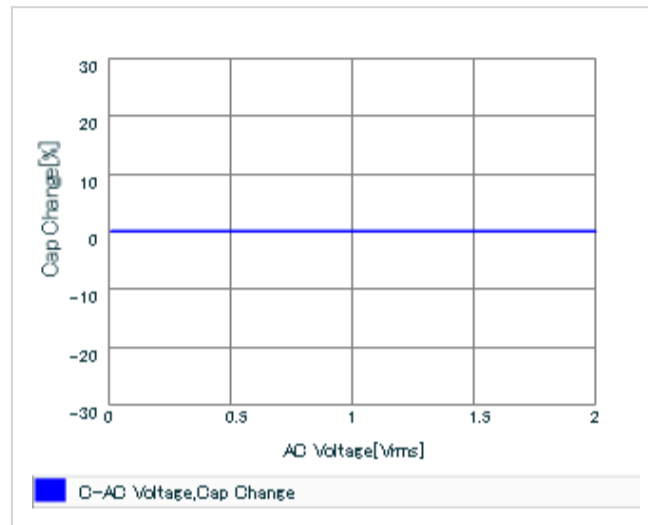
▪ S parameter (Smith chart S11)



▪ DC bias characteristics



▪ AC voltage characteristics



▪ Capacitance - temperature characteristics

