

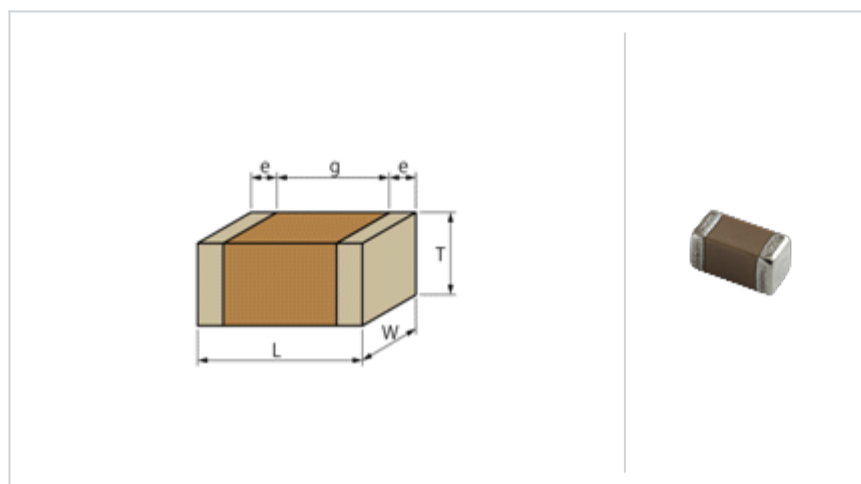
GRM152R61A104ME19#

" # " indicates a package specification code.



< List of part numbers with package codes >
GRM152R61A104ME19D , GRM152R61A104ME19J

Shape



L size	1.0 ± 0.05mm
W size	0.5 ± 0.05mm
T size	0.2 +0.02/-0.04mm
External terminal width e	0.15 to 0.35mm
Distance between external terminals g	0.3mm min.
Size code in inch(mm)	0402 (1005)

Notes

Volt. & temp. derating recommended product

References

Packaging	Specifications	Minimum quantity
D	180mm Paper taping	20000
J	330mm Paper taping	50000

Mass (typ.)	
1 piece	0.90mg
180mm Reel	82g

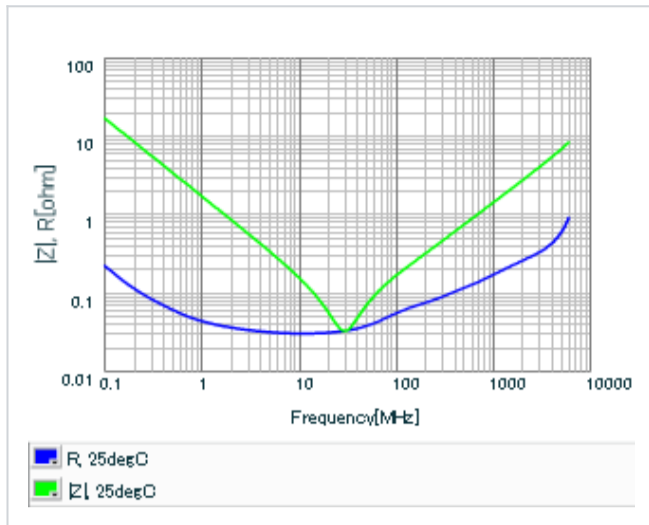
Specifications

Capacitance	0.10μF ± 20%
Rated voltage	10Vdc
Temperature characteristics (complied standard)	X5R(EIA)
Capacitance change rate	± 15.0%
Temperature range of temperature characteristics	-55 to 85
Operating temperature range	-55 to 85

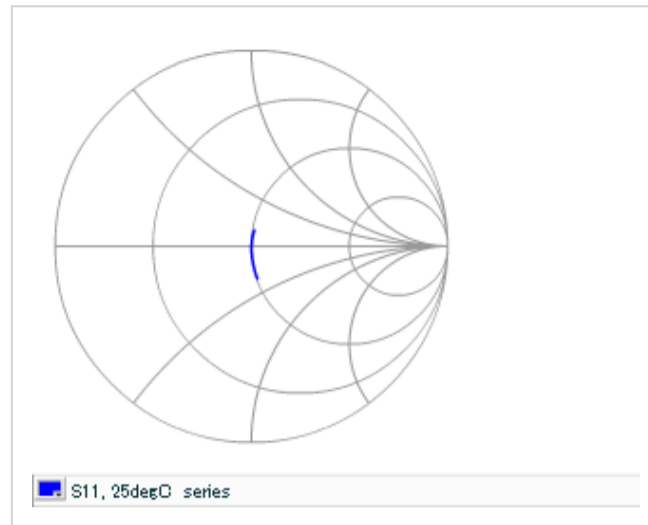
⚠ Attention

- 1.This datasheet is downloaded from the website of Murata Manufacturing Co., Ltd. Therefore, it ' s specifications are subject to change or our products in it may be discontinued without advance notice. Please check with our sales representatives or product engineers before ordering.
- 2.This datasheet has only typical specifications because there is no space for detailed specifications. Therefore, please review our product specifications or consult the approval sheet for product specifications before ordering.

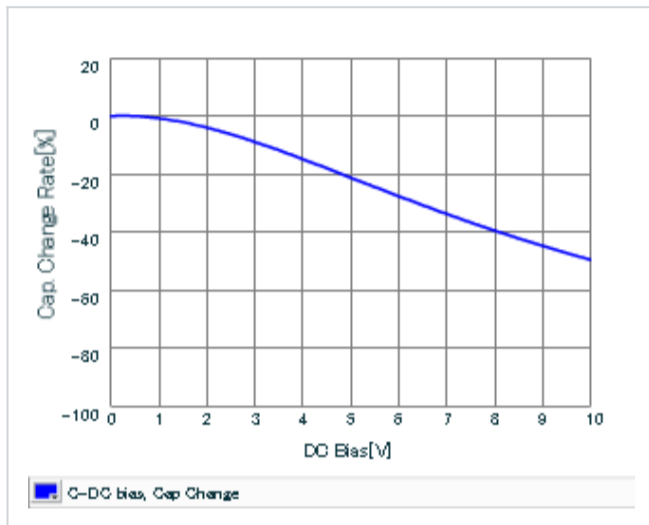
▪ Frequency characteristics (ESR, Impedance)



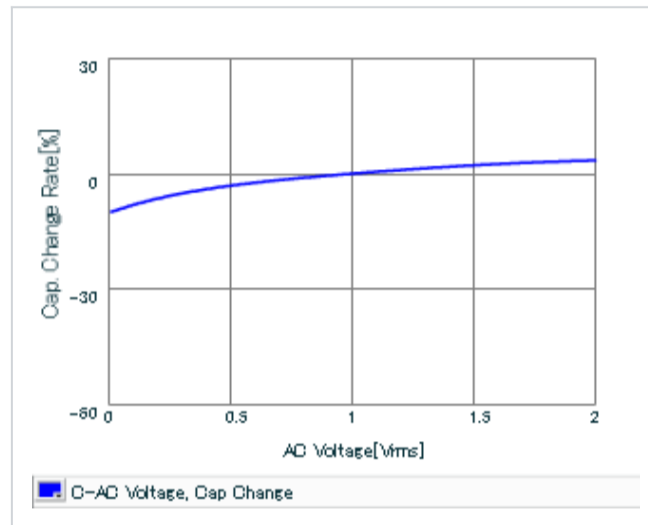
▪ S parameter (Smith chart S11)



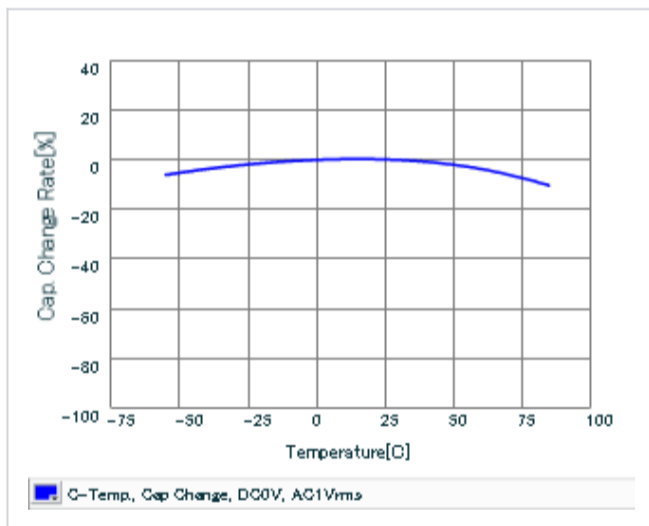
▪ DC bias characteristics



▪ AC voltage characteristics



▪ Capacitance - temperature characteristics



▪ Calorific property by ripple current

