

# GRM155R71H223KA12#

" # " indicates a package specification code.

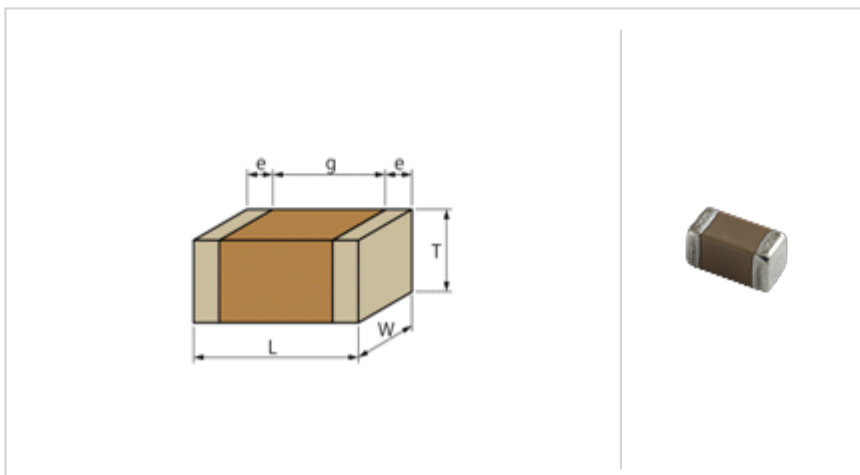
Recommended



Complies with RoHS

< List of part numbers with package codes >  
 GRM155R71H223KA12D , GRM155R71H223KA12J , GRM155R71H223KA12C , GRM155R71H223KA12B

## Shape



|  |                |
|--|----------------|
| L size                                       | 1.0 ± 0.05mm   |
| W size                                       | 0.5 ± 0.05mm   |
| T size                                       | 0.5 ± 0.05mm   |
| External terminal width e                    | 0.15 to 0.35mm |
| Distance between external terminals g (Min.) | 0.3mm          |
| Size code in mm(inch)                        | 1005 (0402)    |

## References

| Packaging | Specifications      | Minimum quantity |
|-----------|---------------------|------------------|
| D         | Paper tape ( 180mm) | 10000            |
| J         | Paper tape ( 330mm) | 50000            |
| C         | Bulk case           | 15000            |
| B         | Packing in bulk     | 1000             |

| Mass (typ.)   |       |
|---------------|-------|
| 1 piece       | 1.6mg |
| Reel ( 180mm) | 118g  |

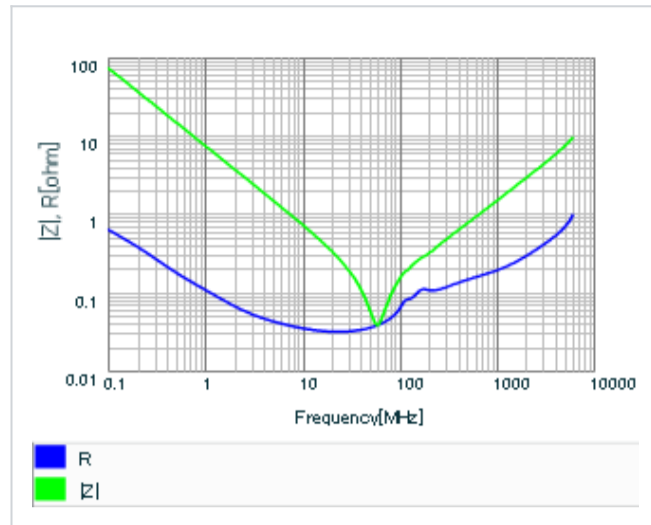
## Specifications

|  |               |
|--|---------------|
| Capacitance                                      | 22000pF ± 10% |
| Rated voltage                                    | 50Vdc         |
| Temperature characteristics (complied standard)  | X7R(EIA)      |
| Capacitance change rate                          | ± 15%         |
| Temperature range of temperature characteristics | -55 to 125    |
| Operating temperature range                      | -55 to 125    |

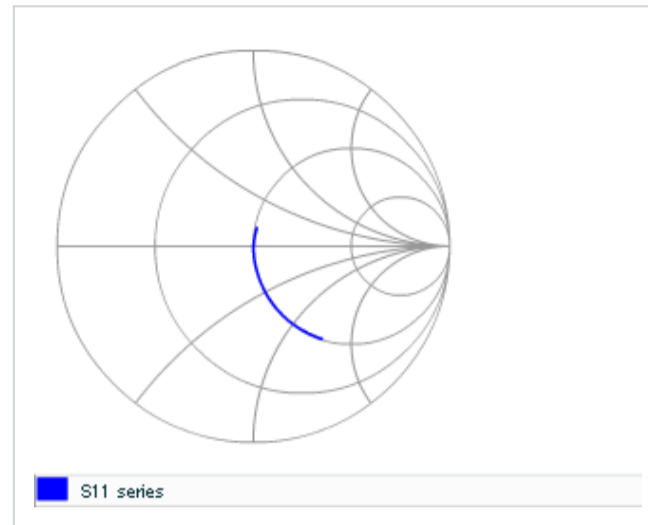
### ⚠ Attention

- 1.This datasheet is downloaded from the website of Murata Manufacturing Co., Ltd. Therefore, it ' s specifications are subject to change or our products in it may be discontinued without advance notice. Please check with our sales representatives or product engineers before ordering.
- 2.This datasheet has only typical specifications because there is no space for detailed specifications. Therefore, please review our product specifications or consult the approval sheet for product specifications before ordering.

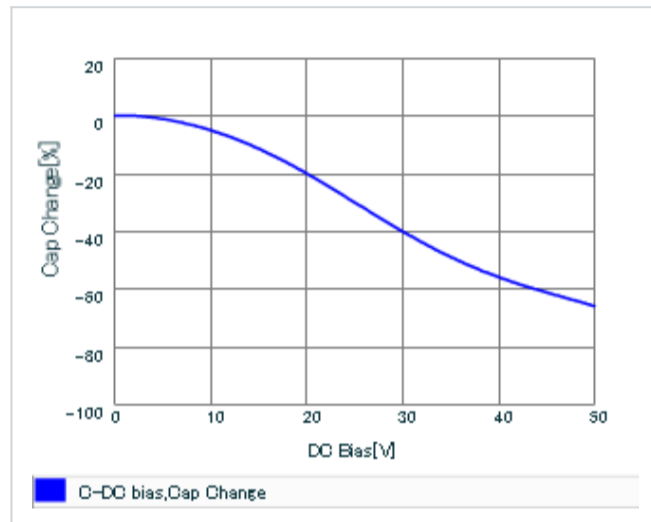
▪ Frequency characteristics (ESR, Impedance)



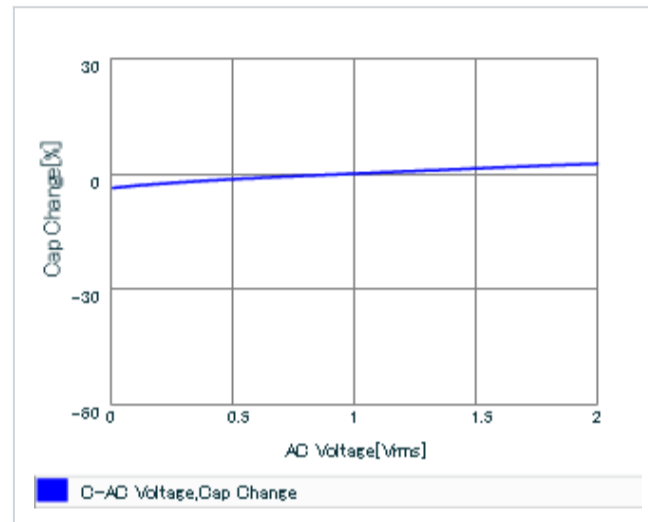
▪ S parameter (Smith chart S11)



▪ DC bias characteristics



▪ AC voltage characteristics



▪ Capacitance - temperature characteristics

