


GRM155R71H821KA01#

" # " indicates a package specification code.

Available  

< List of part numbers with package codes >
 GRM155R71H821KA01D , GRM155R71H821KA01J , GRM155R71H821KA01C , GRM155R71H821KA01B

Shape

| | |
|---|----------------|
|   | |
| L size | 1.0 ± 0.05mm |
| W size | 0.5 ± 0.05mm |
| T size | 0.5 ± 0.05mm |
| External terminal width e | 0.15 to 0.35mm |
| Distance between external terminals g (Min.) | 0.3mm |
| Size code in mm(inch) | 1005 (0402) |

References

| Packaging | Specifications | Minimum quantity |
|-----------|---------------------|------------------|
| D | Paper tape (180mm) | 10000 |
| J | Paper tape (330mm) | 50000 |
| C | Bulk case | 15000 |
| B | Packing in bulk | 1000 |

| Mass (typ.) | |
|---------------|-------|
| 1 piece | 1.6mg |
| Reel (180mm) | 118g |

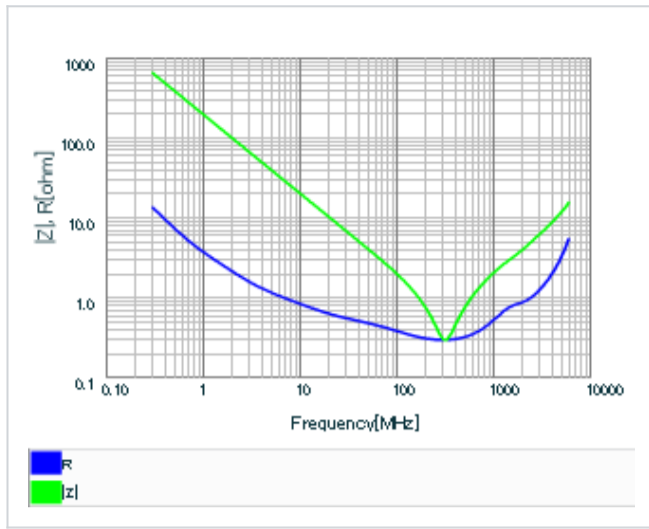
Specifications

| | |
|--|-------------|
| Capacitance | 820pF ± 10% |
| Rated voltage | 50Vdc |
| Temperature characteristics (complied standard) | X7R(EIA) |
| Capacitance change rate | ± 15% |
| Temperature range of temperature characteristics | -55 to 125 |
| Operating temperature range | -55 to 125 |

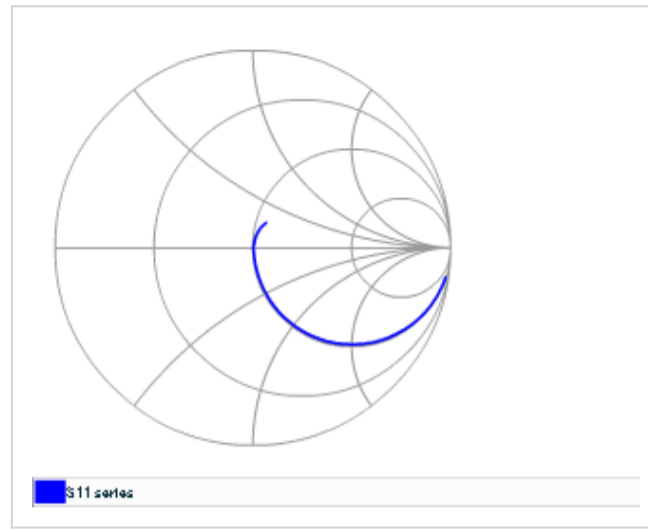
Attention

- 1.This datasheet is downloaded from the website of Murata Manufacturing Co., Ltd. Therefore, it ' s specifications are subject to change or our products in it may be discontinued without advance notice. Please check with our sales representatives or product engineers before ordering.
- 2.This datasheet has only typical specifications because there is no space for detailed specifications. Therefore, please review our product specifications or consult the approval sheet for product specifications before ordering.

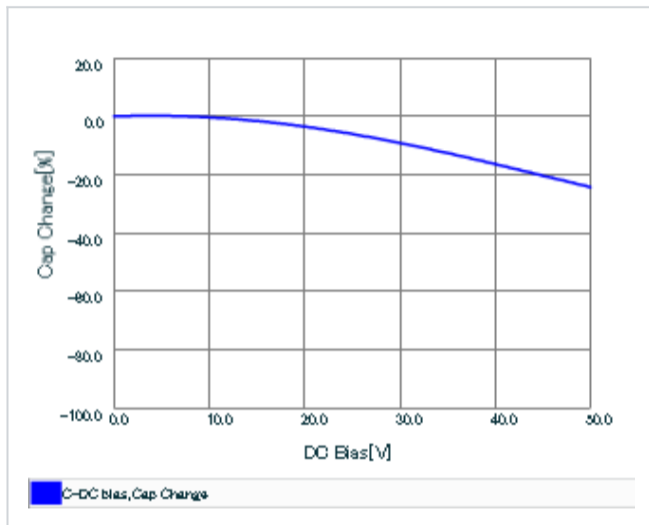
▪ Frequency characteristics (ESR, Impedance)



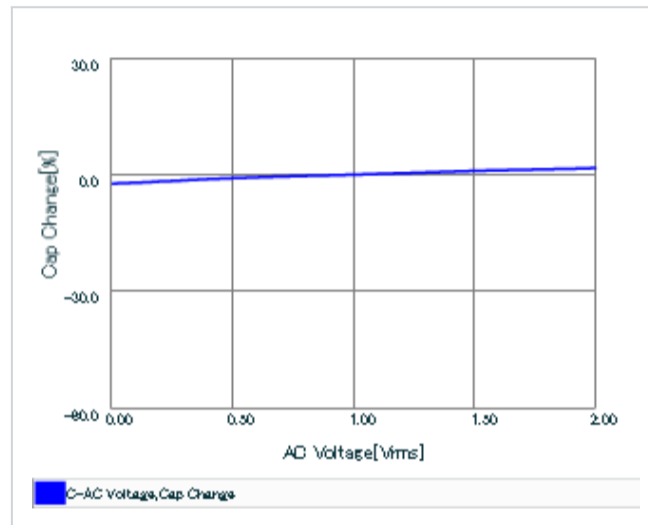
▪ S parameter (Smith chart S11)



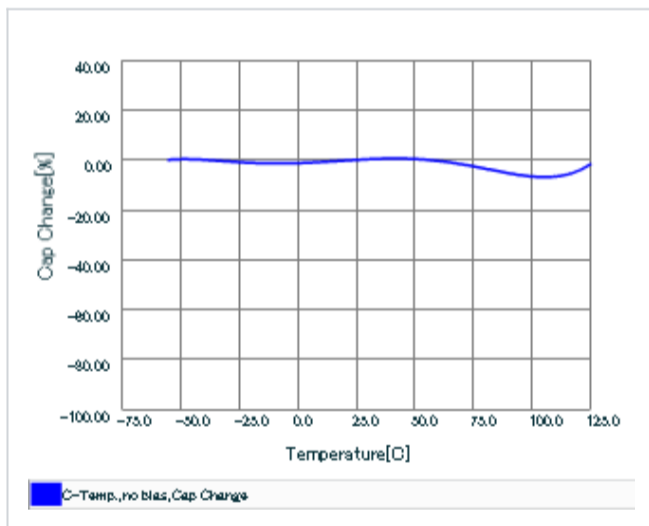
▪ DC bias characteristics



▪ AC voltage characteristics



▪ Capacitance - temperature characteristics



This PDF data has only typical specifications because there is no space for detailed specifications. Therefore, please review our product specifications or consult the approval sheet for product specifications before ordering.