

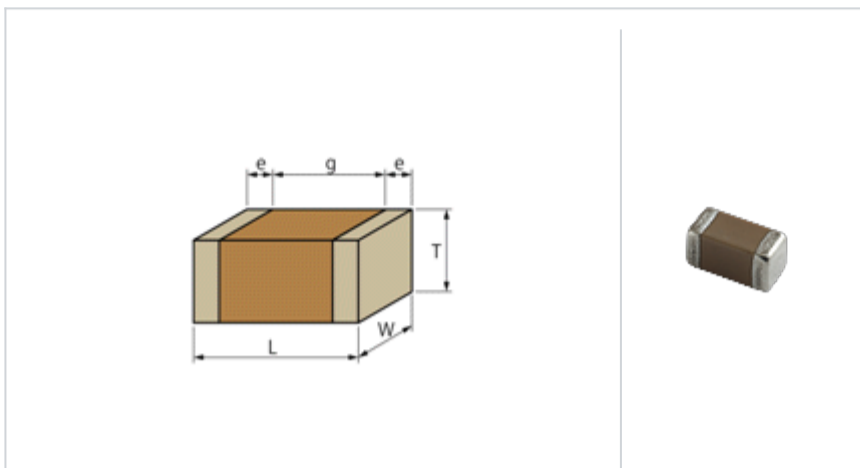
GRM15XR71H152KA86#

" # " indicates a package specification code.



< List of part numbers with package codes >
 GRM15XR71H152KA86D , GRM15XR71H152KA86J , GRM15XR71H152KA86B

Shape



L size	1.0 ± 0.05mm
W size	0.5 ± 0.05mm
T size	0.25 ± 0.05mm
External terminal width e	0.1 to 0.3mm
Distance between external terminals g (Min.)	0.4mm
Size code in mm(inch)	1005 (0402)

References

Packaging	Specifications	Minimum quantity
D	Paper tape (180mm)	10000
J	Paper tape (330mm)	50000
B	Packing in bulk	1000

Mass (typ.)	
1 piece	0.9mg
Reel (180mm)	82g

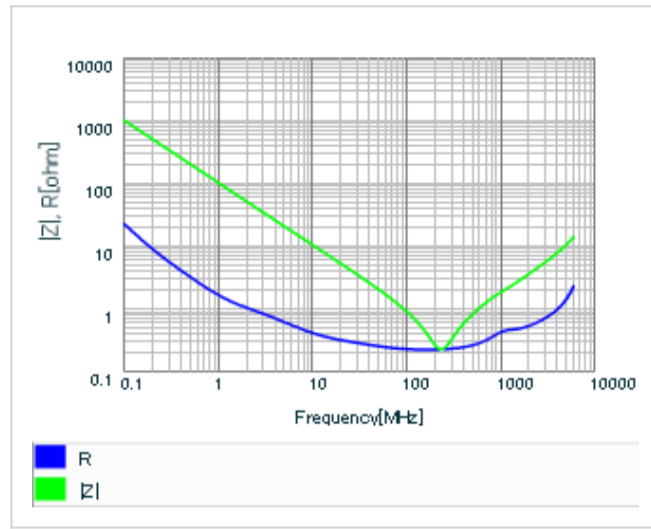
Specifications

Capacitance	1500pF ± 10%
Rated voltage	50Vdc
Temperature characteristics (complied standard)	X7R(EIA)
Capacitance change rate	± 15%
Temperature range of temperature characteristics	-55 to 125
Operating temperature range	-55 to 125

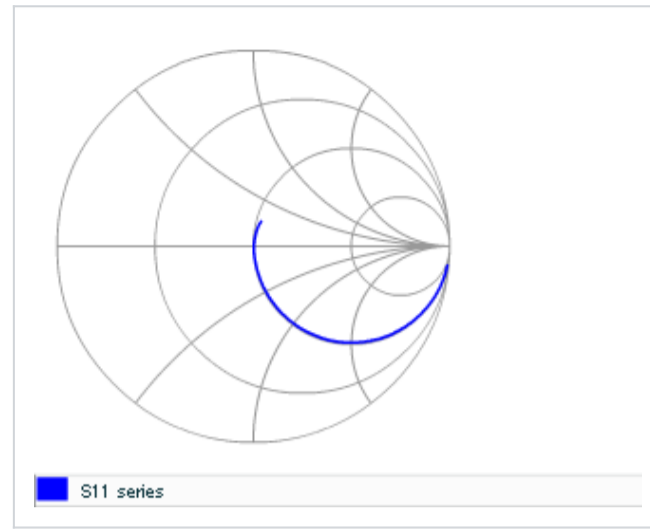
⚠ Attention

- 1.This datasheet is downloaded from the website of Murata Manufacturing Co., Ltd. Therefore, it ' s specifications are subject to change or our products in it may be discontinued without advance notice. Please check with our sales representatives or product engineers before ordering.
- 2.This datasheet has only typical specifications because there is no space for detailed specifications. Therefore, please review our product specifications or consult the approval sheet for product specifications before ordering.

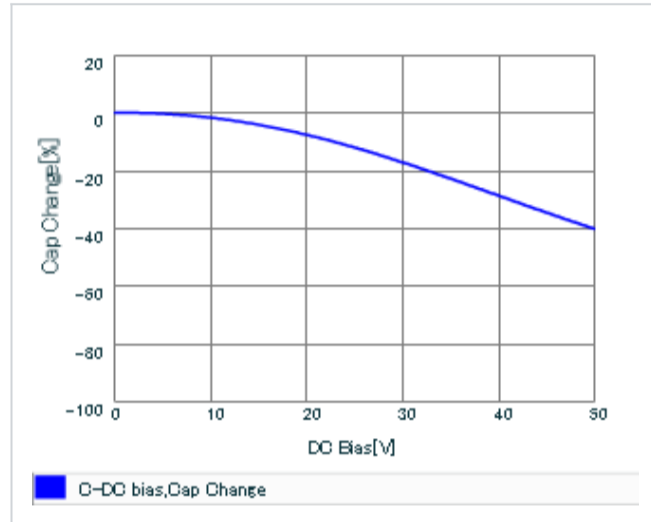
▪ Frequency characteristics (ESR, Impedance)



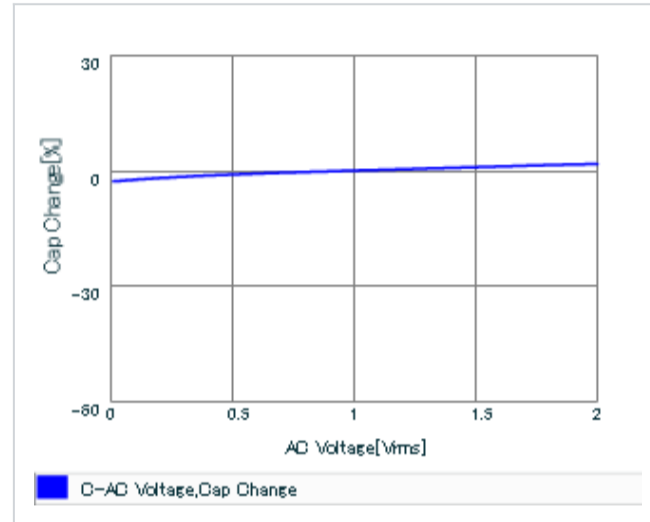
▪ S parameter (Smith chart S11)



▪ DC bias characteristics



▪ AC voltage characteristics



▪ Capacitance - temperature characteristics

