

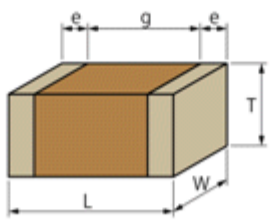
# GRM32ER61E226KE15#

" # " indicates a package specification code.

Available  

< List of part numbers with package codes >  
 GRM32ER61E226KE15L , GRM32ER61E226KE15K , GRM32ER61E226KE15B

## Shape



L size	3.2 ± 0.3mm
W size	2.5 ± 0.2mm
T size	2.5 ± 0.2mm
External terminal width e	0.3mm min.
Distance between external terminals g (Min.)	1.0mm
Size code in mm(inch)	3225 (1210)

## References

Packaging	Specifications	Minimum quantity
L	Embossed tape ( 180mm)	1000
K	Embossed tape ( 330mm)	4000
B	Packing in bulk	1000

Mass (typ.)	
1 piece	110mg
Reel ( 180mm)	168g

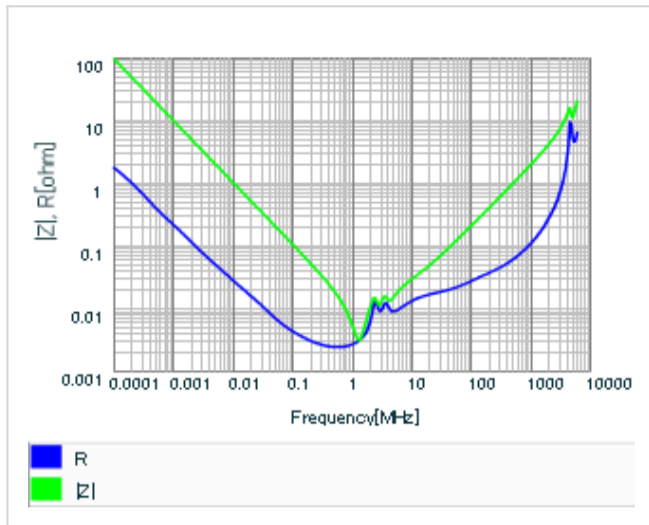
## Specifications

Capacitance	22µF ± 10%
Rated voltage	25Vdc
Temperature characteristics (complied standard)	X5R(EIA)
Capacitance change rate	± 15%
Temperature range of temperature characteristics	-55 to 85
Operating temperature range	-55 to 85

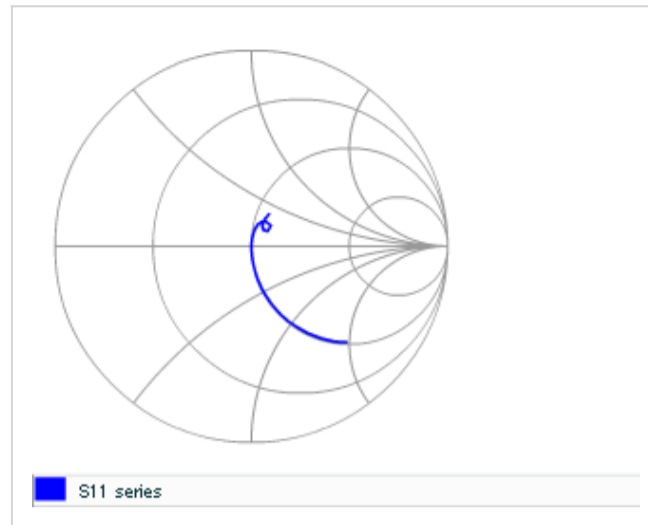
### Attention

- 1.This datasheet is downloaded from the website of Murata Manufacturing Co., Ltd. Therefore, it ' s specifications are subject to change or our products in it may be discontinued without advance notice. Please check with our sales representatives or product engineers before ordering.
- 2.This datasheet has only typical specifications because there is no space for detailed specifications. Therefore, please review our product specifications or consult the approval sheet for product specifications before ordering.

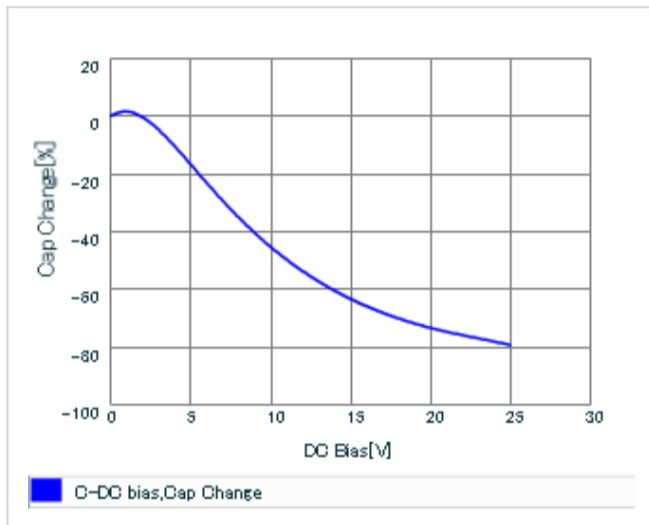
▪ Frequency characteristics (ESR, Impedance)



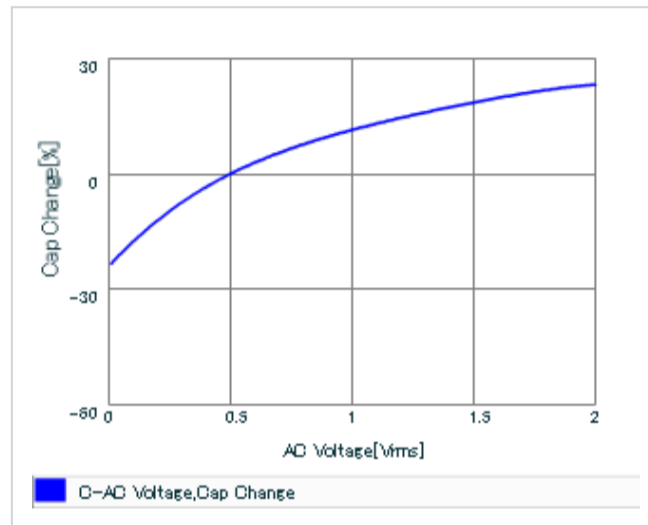
▪ S parameter (Smith chart S11)



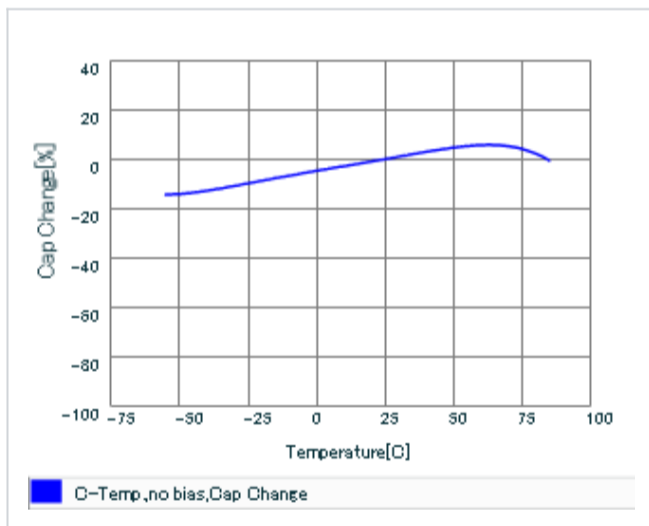
▪ DC bias characteristics



▪ AC voltage characteristics



▪ Capacitance - temperature characteristics



▪ Calorific property by ripple current

