

LQH31CN1R0M03#

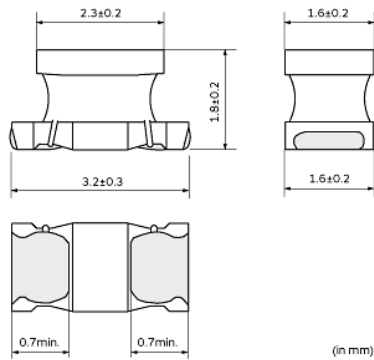
“#” indicates a package specification code.

Size Code 3216 (1206) in mm (in inch)



< List of part numbers with package codes >
LQH31CN1R0M03K LQH31CN1R0M03L

Appearance & Shape



References

Packaging	Specifications	Minimum Order Quantity
K	330Embossed Tape	7500
L	180Embossed Tape	2000

Mass (typ.)	
1 piece	0.029g

Notices

When rated current is applied to the products, inductance will be within $\pm 10\%$ of initial inductance value. When rated current is applied to the products, the temperature rise caused by self-generated heat shall be limited to 35°C max.

Attention

- 1.This datasheet is downloaded from the website of Murata Manufacturing Co., Ltd. Therefore, it's specifications are subject to change or our products in it may be discontinued without advance notice. Please check with our sales representatives or product engineers before ordering.
 - 2.This datasheet has only typical specifications because there is no space for detailed specifications.
- Therefore, please review our product specifications or consult the approval sheet for product specifications before ordering.

LQH31CN1R0M03#

“#” indicates a package specification code.

Specifications

L size	3.2±0.3mm
W size	1.6±0.2mm
T size	1.8±0.2mm
Size code inch (mm)	1206 (3216)
Inductance	1μH±20%
Inductance Test Frequency	1MHz
Rated current (Itemp) (Based on Temperature rise)	510mA
Max. of DC resistance	0.364Ω
Class of magnetic shield	No Shield
Self resonance frequency (min.)	100MHz
Operating Temperature Range(Self-temperature rise is not included)	-40°C to 85°C
DC Resistance Intermediate Values	0.28Ω±30%
Series	LQH31CN_03

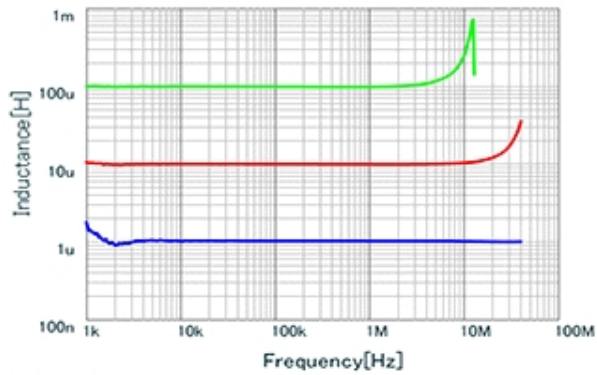
Attention

- 1.This datasheet is downloaded from the website of Murata Manufacturing Co., Ltd. Therefore, it's specifications are subject to change or our products in it may be discontinued without advance notice. Please check with our sales representatives or product engineers before ordering.
- 2.This datasheet has only typical specifications because there is no space for detailed specifications.
Therefore, please review our product specifications or consult the approval sheet for product specifications before ordering.

LQH31CN1R0M03#

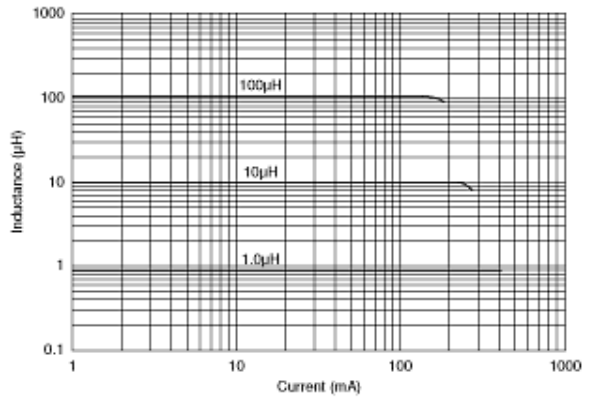
"#" indicates a package specification code.

Product Data

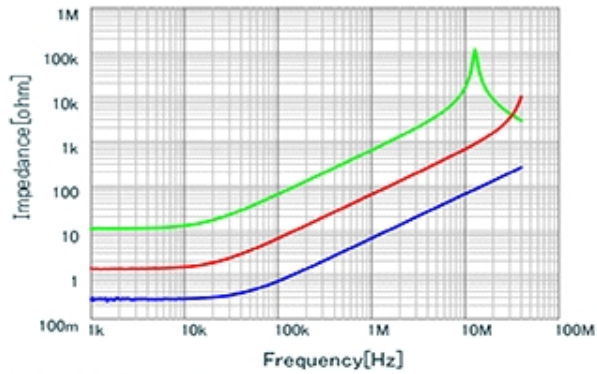


■	LQH31CN1R0M03 L
■	LQH31CN101K03 L
■	LQH31CN100K03 L

Inductance - Frequency Characteristics



Impedance - Current Characteristics



■	LQH31CN1R0M03 [Z]
■	LQH31CN101K03 [Z]
■	LQH31CN100K03 [Z]

Impedance - Frequency Characteristics

Attention

- 1.This datasheet is downloaded from the website of Murata Manufacturing Co., Ltd. Therefore, it's specifications are subject to change or our products in it may be discontinued without advance notice. Please check with our sales representatives or product engineers before ordering.
- 2.This datasheet has only typical specifications because there is no space for detailed specifications.
Therefore, please review our product specifications or consult the approval sheet for product specifications before ordering.